

SLIDING DOOR SYSTEM FD30-H SPECIAL ORDER



Door Width	Max. 1000mm (39-3/8")
Door Height	Max. 2400mm (94-1/2")
Door Thickness	Min. 24mm (61/64"), Side-Mount Type Min. 28mm (1-7/64")
Door Weight	Max. 30kg (66lbs) / Door

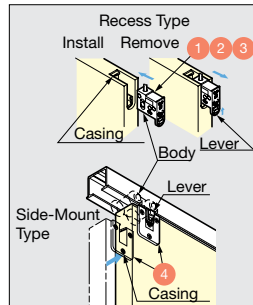
- Thin profile allows flexible design on various application
 - Soft-Close or Brake (Friction) Type available by selecting each roller type
 - Various parts available for many applications
- *Designed for interior use, not exterior.

*Available by selecting each roller type. 2 sets of **a** shown on picture.



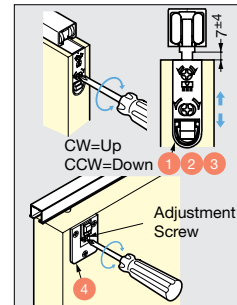
*Can be used in double door configuration by selecting optional bottom track and guide on page 30.

■ Door Installation



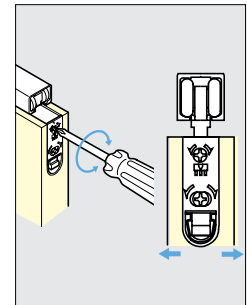
Insert Bracket (1 2 3 4) to hang door.
To remove door, click the lever and pull out the Bracket.

■ Height Adjustment

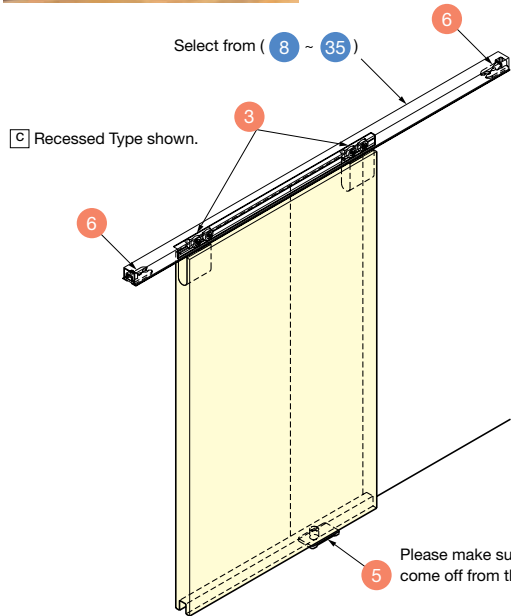


Simply turn the adjustment screw with a screw driver.
±4mm adjustable.

■ Depth Adjustment

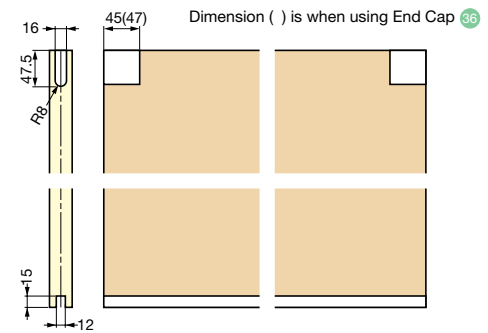


Simply turn the adjustment screw with a screw driver.
±2mm adjustable.

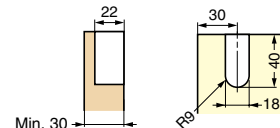


■ Door Preparation

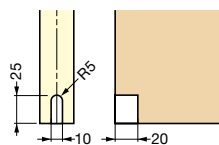
Soft-Closer 1, Brake 2 and Recess Type Roller 3



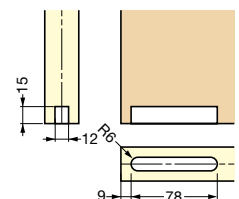
Side-Mount Type 4



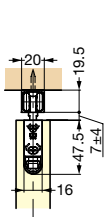
Bottom Guide 48



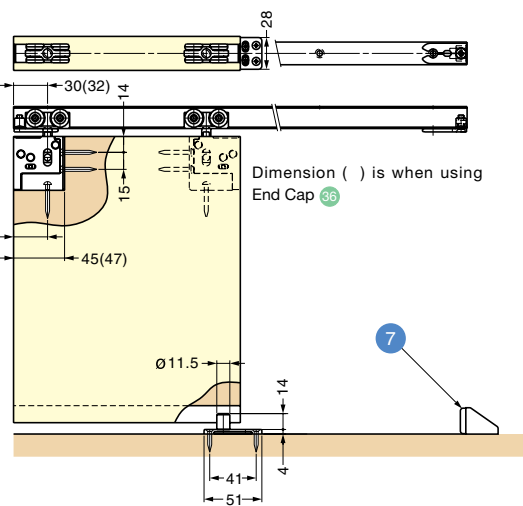
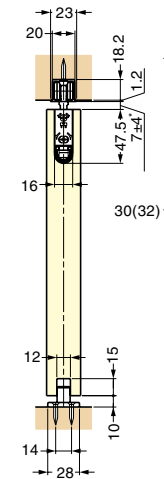
Bottom Guide 49



Ceiling Mount



Mortise Mount



*Door height adjustable ±4mm.

FD30-H ORDERING INFO

Necessary Parts ... Parts Set **a** (per door) ... Upper Track (for Soft-Closing Type) + Door Stopper

Parts Set **b c d** (per door) ... Upper Track (for other Type) + Door Stopper

Parts for various application ... **Optional**

Parts Set (per door)	Necessary Parts
a	FD30HCP Soft-Closing Type
b	FD30HBP Brake (Friction) Type
c	FD30HHP Recessed Type
d	FD30HUP Side-Mount Type

Parts Included

No.	Qty				Part Name	Dimensions	Description
	a	b	c	d			
1	1	-	-	-	Soft-Closer	Please see P.31	<ul style="list-style-type: none"> Material Polyacetal Finish Dark Brown
2	-	1	-	-	Brake (Friction) Unit	Please see P.31	<ul style="list-style-type: none"> Material Polyacetal Finish Black
3	1	1	2	-	Recess-Roller		<ul style="list-style-type: none"> Material Zinc Alloy / Polyacetal Finish Chromate / Light Brown
4	-	-	-	2	Side-Mount Roller		<ul style="list-style-type: none"> Material Zinc Alloy / Polyacetal Finish Chromate / Brown
5	1	1	1	1	Bottom Guide Pin		<ul style="list-style-type: none"> Material Zinc Alloy / Polyacetal Finish Chromate / Brown
6	1	1	2	2	Upper Stopper		<ul style="list-style-type: none"> Material Zinc Alloy / Polyacetal Finish Chromate / Brown

Door Stopper Necessary Parts (For door-rear-end)
*Not needed when door slides between door jam / frame.

No.	Item No.	Part Name	Dimensions	Description
7	20773	Door Stopper (Floor)		<ul style="list-style-type: none"> Material Zinc Alloy / Rubber Finish Matt Chrome / Grey

Upper Track (Ceiling Mount for Soft-Closing a) Necessary Parts

No.	Type	Item No.	Part Name	Dimensions	Description
8	Silver 1820 mm	FD30-TRM1820SCSIL			<ul style="list-style-type: none"> Material Aluminum Finish Anodized / Silver
9	Silver 2730 mm	FD30-TRM2730SCSIL			
10	Silver 3640 mm	FD30-TRM3640SCSIL			
11	Umber 1820 mm	FD30-TRM1820SCU			
12	Umber 2730 mm	FD30-TRM2730SCU			
13	Umber 3640 mm	FD30-TRM3640SCU			

Upper Track (Mortise Mount for Soft-Closing a)				Necessary Parts		
No.	Type	Item No.	Part Name	Dimensions	Description	
14	Silver 1820 mm	FD30-TRH1820SCSIL			<ul style="list-style-type: none"> Material Aluminum Finish Anodized / Silver 	
15	Silver 2730 mm	FD30-TRH2730SCSIL				
16	Silver 3640 mm	FD30-TRH3640SCSIL				
17	Umber 1820 mm	FD30-TRH1820SCU			Screw Pitch: Approx. 300mm Pitch End: Approx. 30mm	<ul style="list-style-type: none"> Material Aluminum Finish Anodized / Umber
18	Umber 2730 mm	FD30-TRH2730SCU				
19	Umber 3640 mm	FD30-TRH3640SCU				

Upper Track (Ceiling Mount for b c d) Necessary Parts

No.	Type	Item No.	Part Name	Dimensions	Description	
20	Silver 910 mm	FD30-TRM910SIL			<ul style="list-style-type: none"> Material Aluminum Finish Anodized / Silver 	
21	Silver 1820 mm	FD30-TRM1820SIL				
22	Silver 2730 mm	FD30-TRM2730SIL				
23	Silver 3640 mm	FD30-TRM3640SIL			Screw Pitch: Approx. 300mm Pitch End: Approx. 30mm	<ul style="list-style-type: none"> Material Aluminum Finish Anodized / Umber
24	Umber 910 mm	FD30-TRM910U				
25	Umber 1820 mm	FD30-TRM1820U				
26	Umber 2730 mm	FD30-TRM2730U				
27	Umber 3640 mm	FD30-TRM3640U				

Upper Track (Mortise Mount for b c d) Necessary Parts

No.	Type	Item No.	Part Name	Dimensions	Description	
28	Silver 910 mm	FD30-TRH910SIL			<ul style="list-style-type: none"> Material Aluminum Finish Anodized / Silver 	
29	Silver 1820 mm	FD30-TRH1820SIL				
30	Silver 2730 mm	FD30-TRH2730SIL				
31	Silver 3640 mm	FD30-TRH3640SIL			Screw Pitch: Approx. 300mm Pitch End: Approx. 30mm	<ul style="list-style-type: none"> Material Aluminum Finish Anodized / Umber
32	Umber 910 mm	FD30-TRH910U				
33	Umber 1820 mm	FD30-TRH1820U				
34	Umber 2730 mm	FD30-TRH2730U				
35	Umber 3640 mm	FD30-TRH3640U				

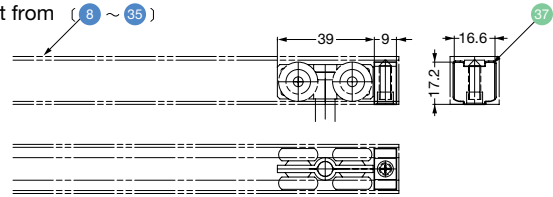
Optional Parts

Item No.	Part Name	Dimensions	Description	
36 FD30-WRH-CP	End Cap (For Rollers)		<ul style="list-style-type: none"> Material Polypropylene Finish Brown *For rollers 1-3 	
37 FD30-HSB	Stopper Block		<ul style="list-style-type: none"> Material Polyacetal Finish Brown *For Upper Tracks 8-35 	
38 FD30-HTK	Door Stopper		<ul style="list-style-type: none"> Material Polyamide / Rubber Finish Brown *For double sliding application, to be mounted on door. 	
39 FD30-HBR910SIL	Bottom Track (Recess Type)		<ul style="list-style-type: none"> Material Aluminum Finish Anodized / Silver 	
40 FD30-HBR1820SIL			<ul style="list-style-type: none"> *To be recessed into floor, using with 47-49 	
41 FD30-HBR2730SIL				
42 FD30-HBR3640SIL				
43 FD30-HBR910U				
44 FD30-HBR1820U				<ul style="list-style-type: none"> Material Aluminum Finish Anodized / Umber
45 FD30-HBR2730U				<ul style="list-style-type: none"> *To be recessed into floor, using with 47-49
46 FD30-HBR3640U				
47 FD30-HGM	Bottom Guide (Surface Mount)		<ul style="list-style-type: none"> Material Polyacetal Finish Brown *Guide block to be used with bottom tracks 39-46 	
48 FD30-HGK	Bottom Guide (Recess Type)		<ul style="list-style-type: none"> Material Polyamide Finish Brown *Guide block to be recessed into door end, using with bottom tracks 39-46 	
49 FD30-HGR	Bottom Roller		<ul style="list-style-type: none"> Material Polyacetal Finish Light Brown *To be used with bottom tracks 39-46 	
50 FD30-HGS	Bottom Guide (Single Door)		<ul style="list-style-type: none"> Material Polyacetal Finish Brown *For single sliding door application. 	

Item No.	Part Name	Dimensions	Description
51 FD30-HGW	Bottom Guide (Double Sliding Door)		<ul style="list-style-type: none"> Material Polyacetal Finish Brown *For double sliding door application.
52 FD30-HTF	Door End Holder (Double Sliding Door)		<ul style="list-style-type: none"> Material Polyacetal Finish Brown *Prevents door racking when door is closed, especially in double door application.

■ Stopper Block 37 Installation

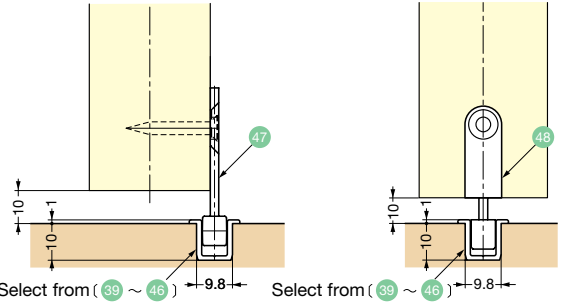
Select from (8 ~ 35)



■ Bottom Guide / Roller 47~51 Installation

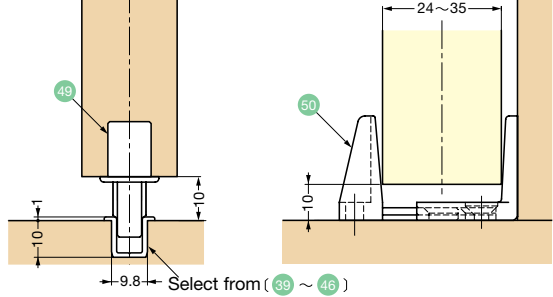
Bottom Guide (Surface Mount) 47

Bottom Guide (Recess Type) 48

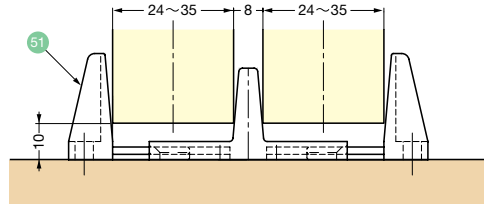


Bottom Roller 49

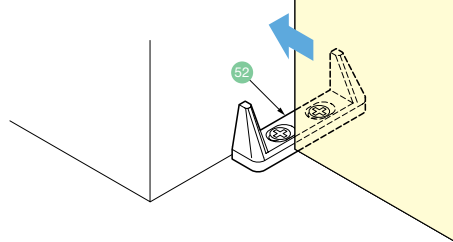
Bottom Guide (Single Door) 50



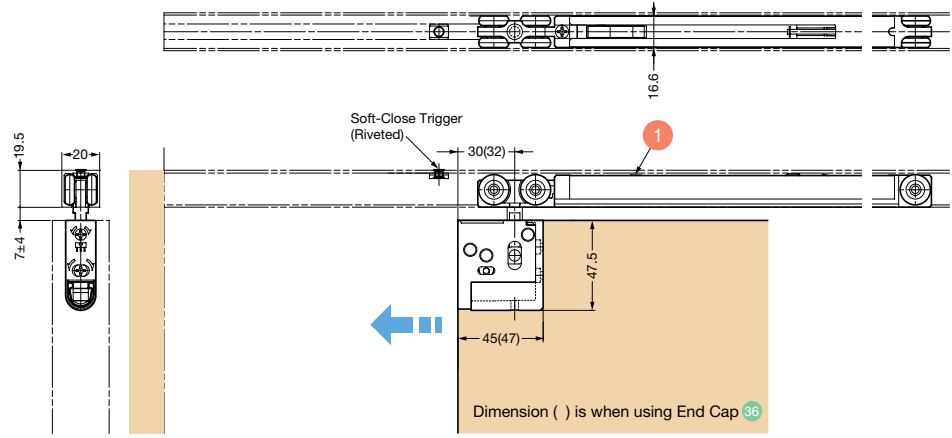
Bottom Guide (Double Door) 51



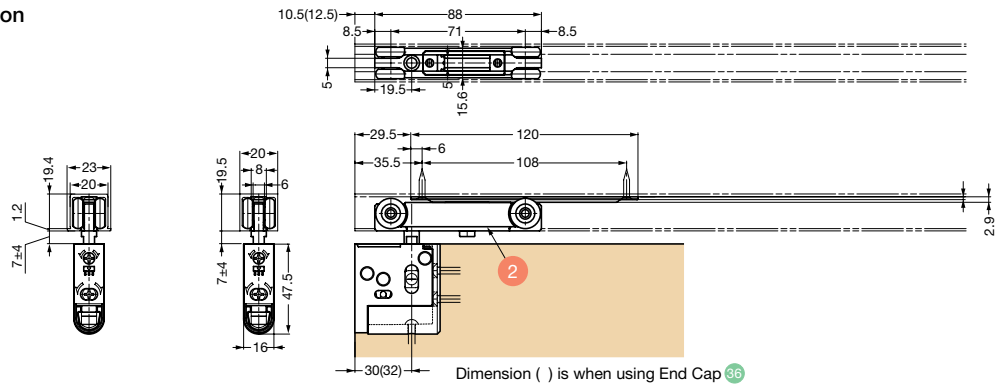
■ Door End Holder 52 Installation



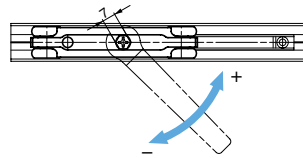
■ Soft-Closer 1 Installation



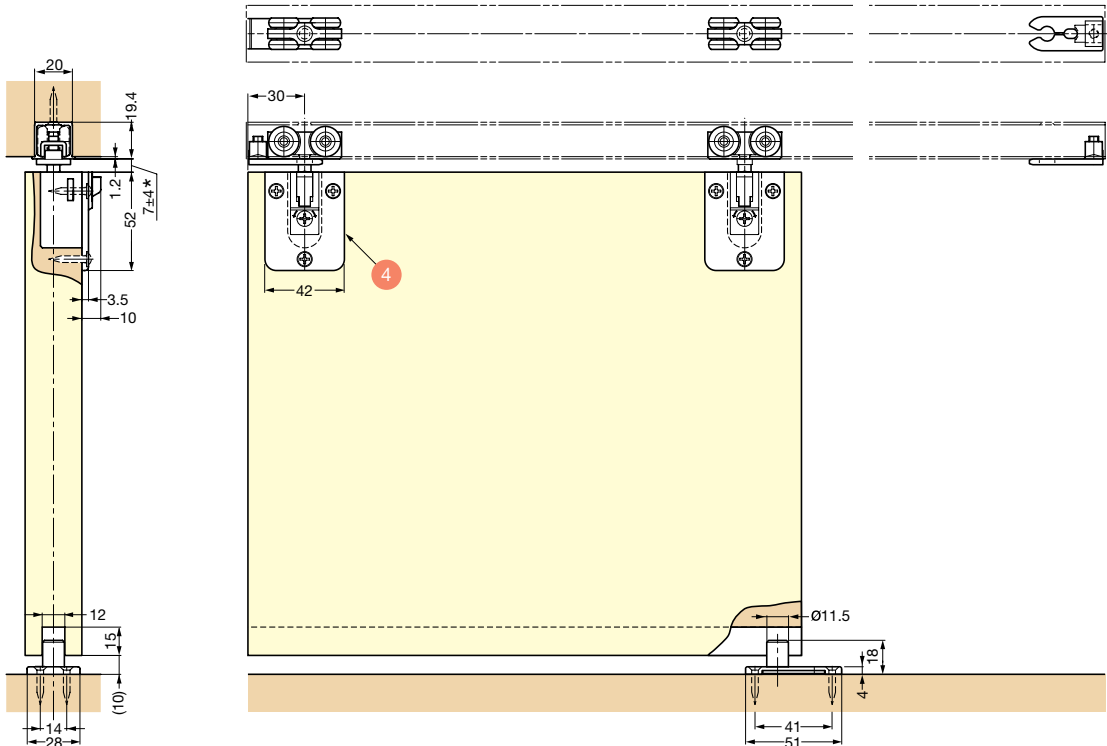
■ Brake (Friction) Unit 2 Installation



Brake(Friction)Adjustment



■ Side-Mount Roller 4 Installation



*Door height adjustable ±4mm