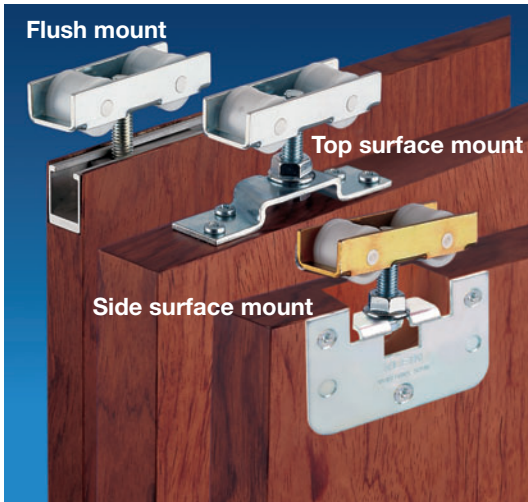


SLIDING DOOR SYSTEM

KS-60, KS-80

SLIDING & FOLDING DOOR HARDWARE
SLIDING DOOR SYSTEM



- Smooth and quiet movement.
- Easy installation.
- Easy height adjustment.
- No bottom rail, clean appearance.
- Three mounting selection available to suit application.
 - Side surface mount - For closets, storage etc.
 - Top surface mount - For drop ceiling application or places where hardware will be covered.
 - Flush mount - For room dividers or application where both side of door is visible.
- Door weight: KS-60 Series - Max. 60 kg (132 lbs)
KS-80 Series - Max. 80 kg (176 lbs)



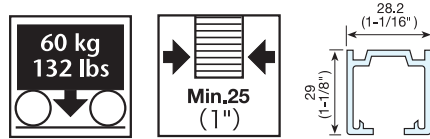
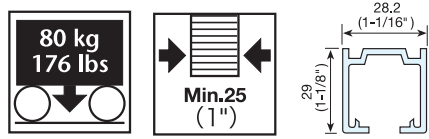

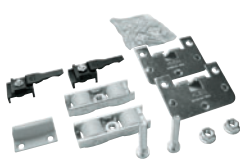


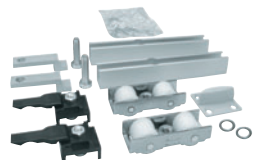
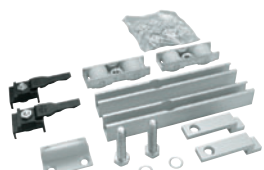


ORDERING INFO:

Order the track and the parts kit.

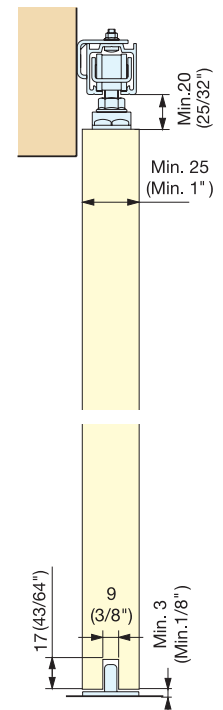
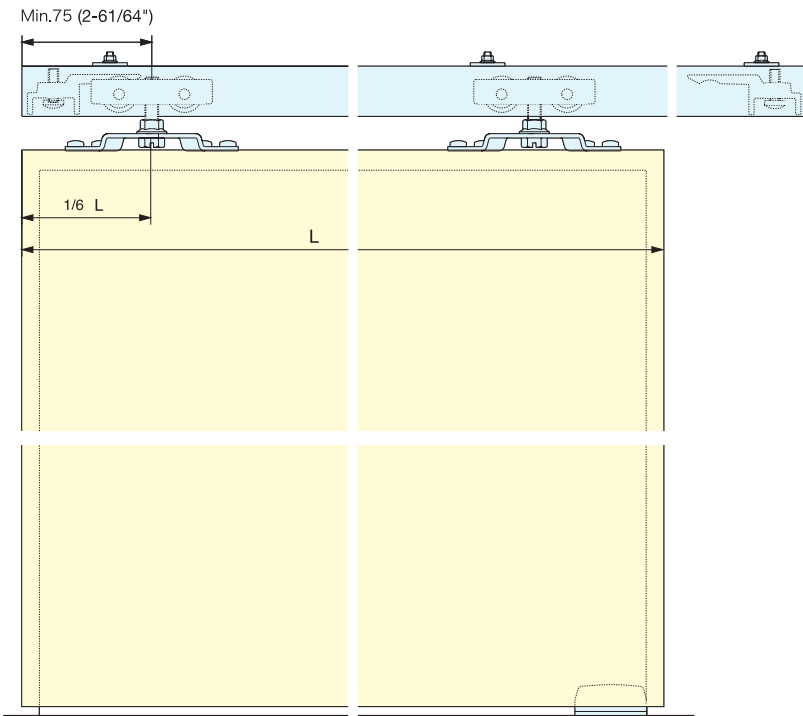
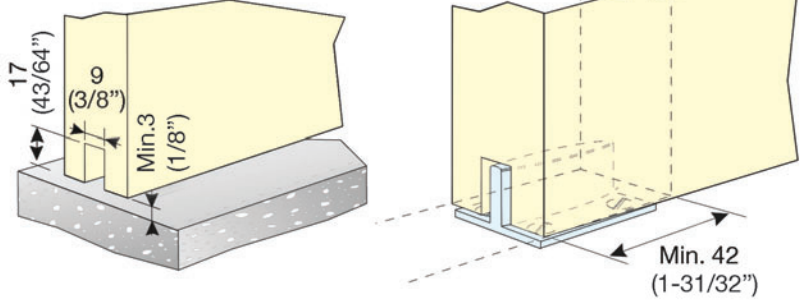
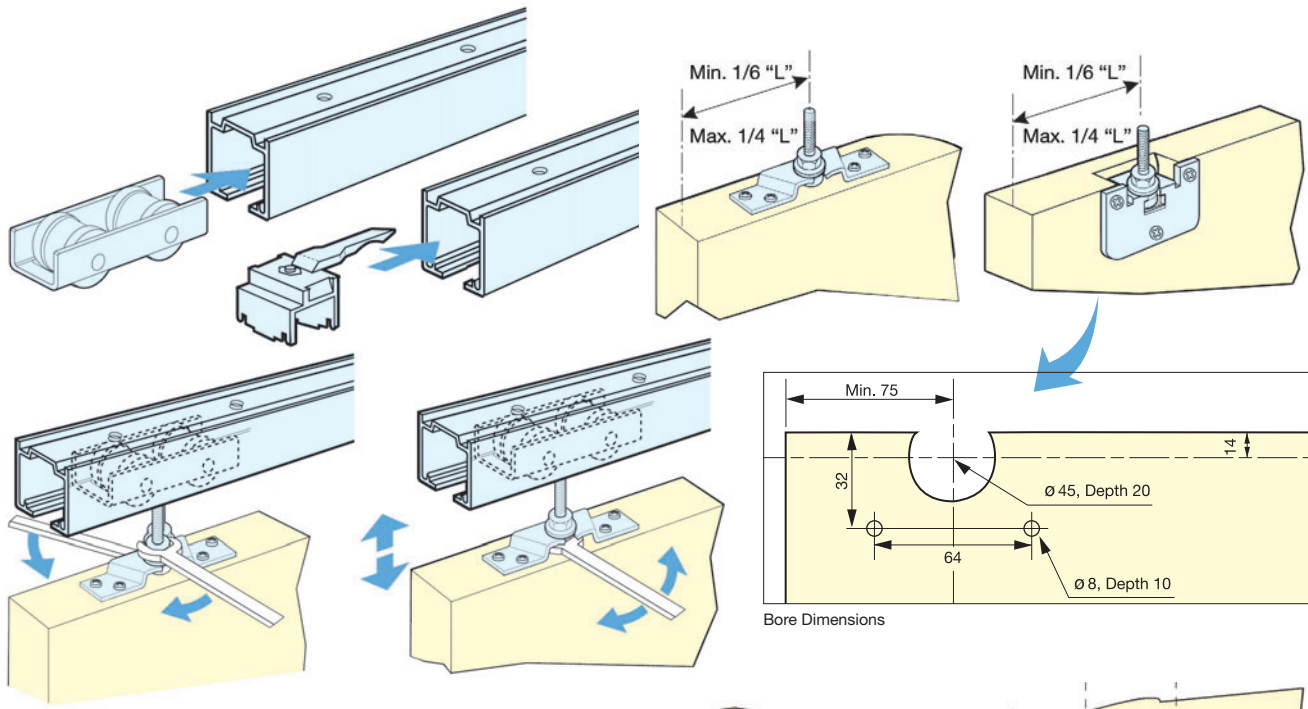
e.g.) You have 1 sliding door (100 lbs) to cover a 3 foot wide area

QTY	ITEM
1	KS-2011
1	KS-3576

KS-60	KS-80 (w/FULL ball bearing rollers)
 <p>Item No.: KS-2011 Upper Rail</p> <p>Material: Aluminum Finish: Anodized Length: 2000mm (78-3/4")</p> <p>* Drilled every 250mm (10")</p>	 <p>Item No.: KS-3387</p> <p>Wall Mount Bracket (Optional parts)</p>
	
SIDE SURFACE MOUNT	
 <p>Item No.: KS-3576 (set/door)</p> <p>KS-60 parts kit for one door Contents: 2 rollers, 2 adjustment bolts, 2 brackets, 2 stoppers, 1 bottom guide, screws and mounting instructions</p>	 <p>Item No.: KS-3721 (set/door)</p> <p>KS-80 parts kit for one door Contents: 2 rollers, 2 adjustment bolts, 2 brackets, 2 stoppers, 1 bottom guide, screws and mounting instructions</p>
TOP SURFACE MOUNT	
 <p>Item No.: KS-3722 (set/door)</p> <p>KS-60 parts kit for one door Contents: 2 rollers, 2 adjustment bolts, 2 brackets, 2 stoppers, 1 bottom guide, screws and mounting instructions</p>	 <p>Item No.: KS-3720 (set/door)</p> <p>KS-80 parts kit for one door Contents: 2 rollers, 2 adjustment bolts, 2 brackets, 2 stoppers, 1 bottom guide, screws and mounting instructions</p>
FLUSH MOUNT	
 <p>Item No.: KS-3723 (set/door)</p> <p>KS-60 parts kit for one door Contents: 2 rollers, 2 adjustment bolts, 2 stoppers, 2 brackets, 2 suspension blocks, 1 guide, screws and mounting instructions</p>	 <p>Item No.: KS-3727 (set/door)</p> <p>KS-80 parts kit for one door Contents: 2 rollers, 2 adjustment bolts, 2 stoppers, 2 brackets, 2 suspension blocks, 1 guide, screws and mounting instructions</p>

Top Surface Mount/Side Surface Mount Dimensions

SLIDING & FOLDING DOOR HARDWARE
SLIDING DOOR SYSTEM



Flush Mount Dimensions

