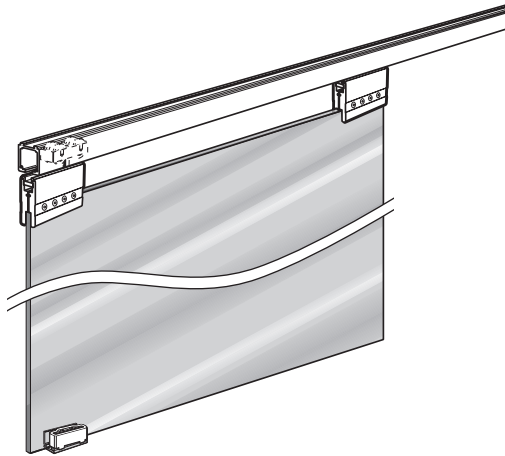




KSPG Glass Sliding Door Hardware Installation Manual



■ To installers

Please read this manual carefully before installing, and perform the installation correctly.

⚠ Caution



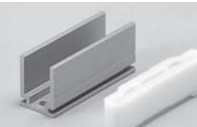

Improper installation may cause injury not only during the installation but also during subsequent use. Please read and understand this document and observe the precautions.




■ Specification


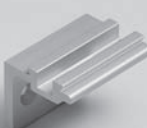
Door height	Max. 3000mm
Door (glass) thickness	10mm or 12 mm
Door weight	Max. 125kg (275lbs) / Door

Note: This hardware is for tempered or laminated glass door only. Acrylic cannot be used.

■ Part Details

Glass bracket ... 2 sets ^{*1} (Short) 	Glass bracket ... 1 set ^{*1} (600, 900, 1200mm) 	Bottom guide ... 1 set 	Screw set Spacer: 8 each Flat hex socket head bolt: 8 each Phillips Tapping screw: 2 each 
---	---	---	--

Upper roller ... 2 each 	Stopper ... 2 each 	Hanger bracket --- 2 each 
---	--	--

Upper rail 	Angle bracket for upper rail (Optional) 
--	--

*1: Either one will be supplied depending on the type purchased

■ Necessary Tools for installation

Phillips/slot-head screwdrivers

Torque wrench with hex key (for hex socket size 4mm, tightening torque 15Nm (132.75 in-lbs))

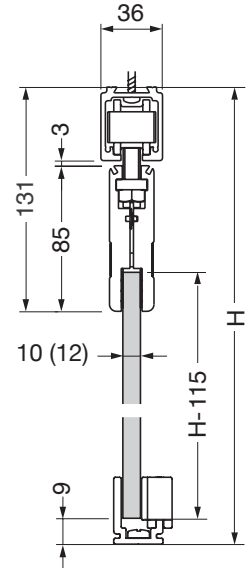
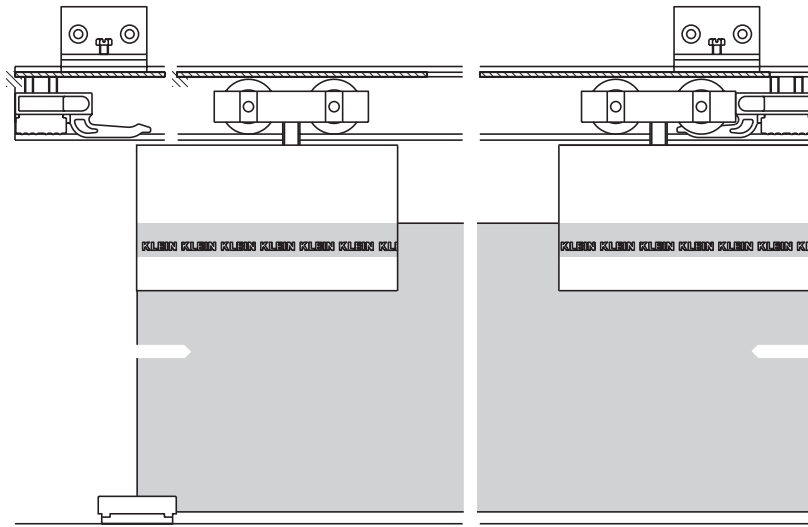
■ Dimensions

(Unit: mm)

Cross Section

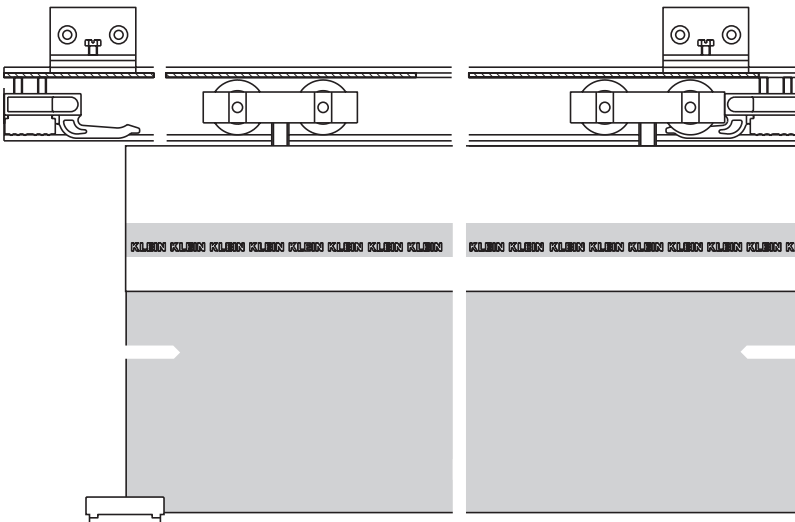
<For all glass brackets>

<Glass bracket (short)>



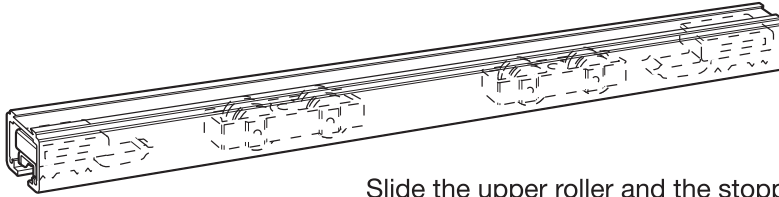
Dimensions in () are for glass thickness 12mm.

<Glass bracket (600, 900, 1200mm)>



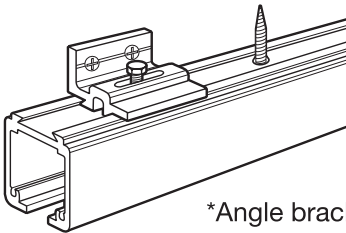
Installation Instruction (Diagrams shows the short-type bracket)

1 Install upper roller and stopper into upper rail



Slide the upper roller and the stopper into the upper rail.

2 Install upper rail



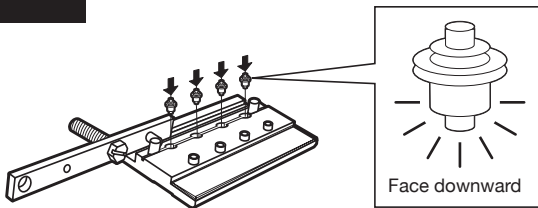
Screw-on the upper rail to ceiling.
When wall mount is required, use the angle bracket (optional) as shown on the left.

*Angle bracket (optional) should be installed every 500mm (19-11/16").

3 Install spacer onto glass bracket

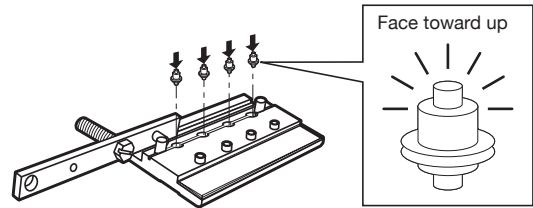
IMPORTANT

For 10mm glass thickness



Face downward

For 12mm glass thickness



Face toward up

*Change the direction of spacer according to the thickness of glass.

Caution

Installing spacer in wrong direction may cause the glass door to fall off.

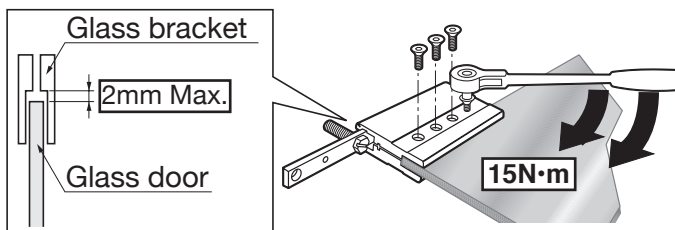
4 Install glass bracket onto glass door

IMPORTANT

<Tightening conditions>

Gap between top of glass door and glass bracket: 2mm Max.

Tightening torque of the bolts: 15 N·m (132.75 in-lbs)

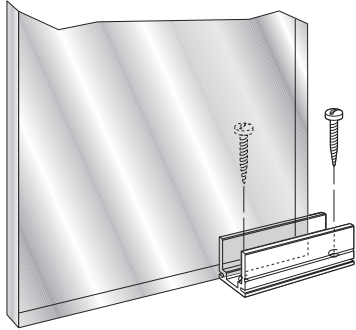


Caution

Follow the tightening conditions, or the glass door may fall off.

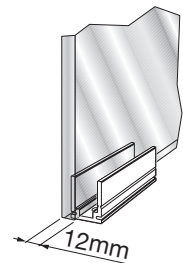
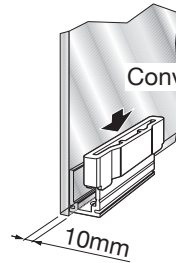
Tighten the flat head hex socket bolt (M6x14, 4mm hex socket) using the torque wrench.

5 Install bottom guide to floor



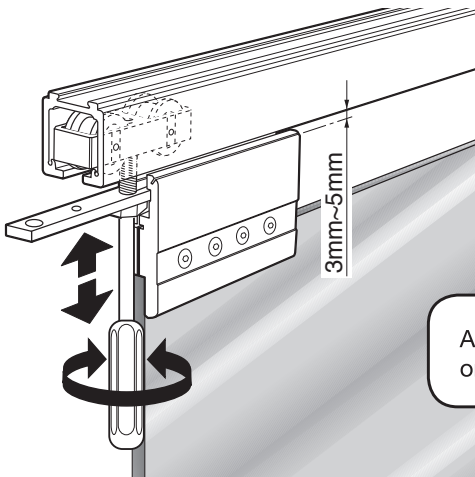
For 10mm glass thickness

For 12mm glass thickness



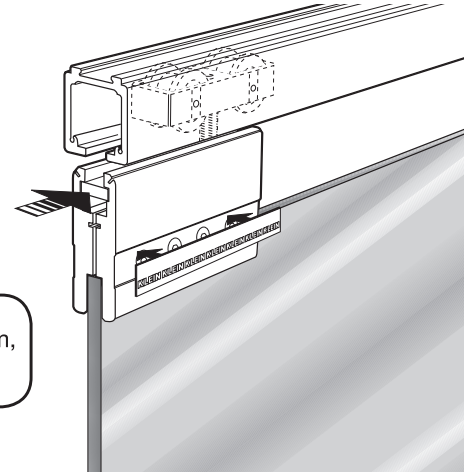
*Install the plastic block in correct direction when installing glass 10 mm thickness. The plastic block is not needed when installing glass 12mm thickness.

6 Install glass door onto upper rail



Caution

Adjust the gap no greater than 5mm, or the glass door may fall off.



Attach the hanger bracket to the upper roller using the slotted screwdriver. Adjust the height and the tilt. At this point the bottom of the glass door should be inserted into the lower guide.

Make an adjustment so that the gap between the top of the glass bracket and the upper rail is within 3mm to 5mm.

Slide-in the hanger bracket into the glass bracket.



SUGATSUNE AMERICA, INC.

221 EAST SELANDIA LANE, CARSON, CA 90746, U.S.A.

Phone: (310) 329-6373

(800) 562-5267 (U.S.A. Only)

Fax: (310) 329-0819

E-mail: support@sugatsune.com

Website: www.sugatsune.com