

SELF CLOSING SLIDING DOOR SYSTEM

LM-80

SLIDING & FOLDING DOOR HARDWARE

SELF CLOSING SLIDING DOOR SYSTEM

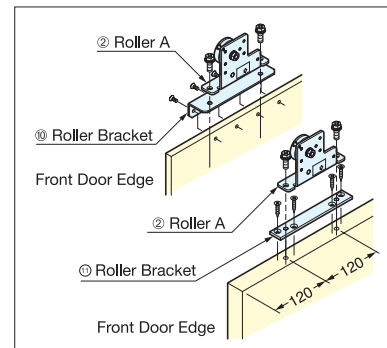
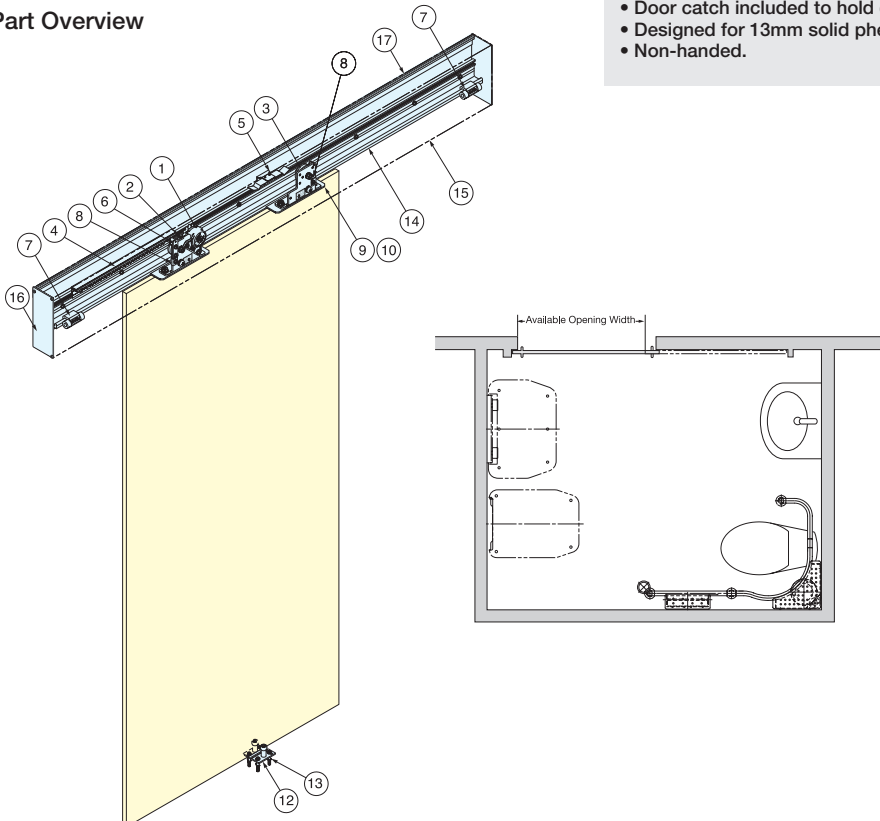


PAT

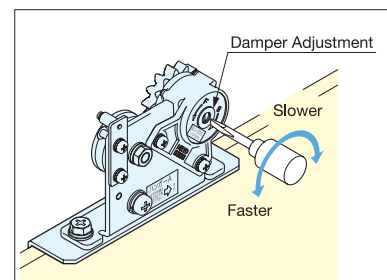
Door Width	700~1200mm (27-9/16"~47-1/4")
Door Thickness	13 or 28~40mm (1/2" or 1-1/8"~1-9/16")
Door Weight	30 ~ 80kg /Door (66~176 lbs /door)
Door Travel	Max. 1100mm (in case of door width 1200mm) Max. 43-5/16" (in case of door width 47-1/4")

- Self closing sliding door system.
- Equipped with damper for smooth and soft closing, eliminating slam shut.
- Dampening speed adjustable for best soft closing.
- Wall surface mount type for easy installation.
- No bottom rail needed for clean appearance.
- Door opens lightly for easy operation.
- Door catch included to hold door in fully open position.
- Designed for 13mm solid phenolic panel or 28~40mm thick wood doors.
- Non-handed.

Part Overview



Roller Brackets for solid phenolic panel and wood door included.



Closing speed adjustable by turning adjustment screw on damper.

