



MonoFlat UNISON™



MONOFLAT UNISON

PAT. P

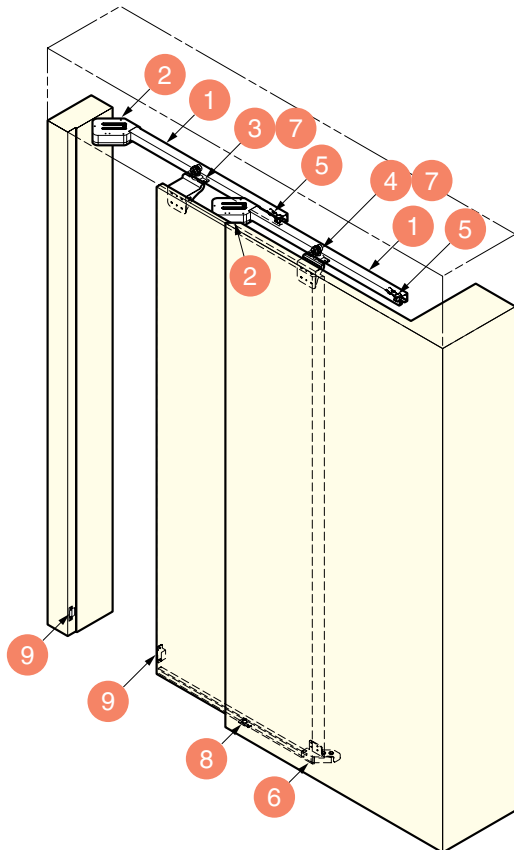
MFU

| | |
|----------------|-----------------------------------|
| Door Width | 800 ~ 950mm (31-1/2" ~ 37-13/32") |
| Door Height | Max. 2500mm (98-7/16") |
| Door Thickness | *28 ~ 30mm (1-3/32" ~ 1-3/16") |
| Door Weight | Max. 30kg (66lbs) |
| Adjustability | Depth: ±2.5mm (3/32") |
| | Horizontal: ±1mm (1/32") |
| | Vertical: ±2.5mm (3/32") |

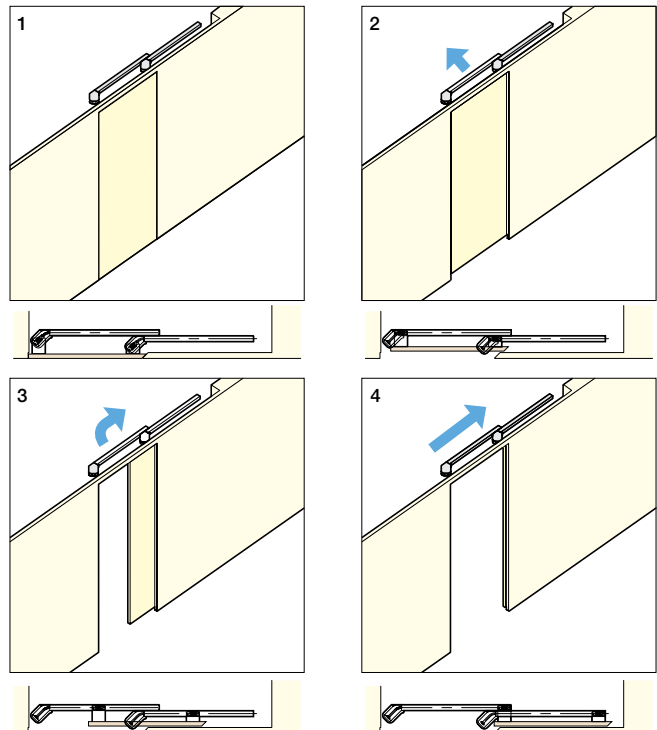
*Can be used on door thicker than 30mm (1-3/16") by mortising hanging bracket into the door.

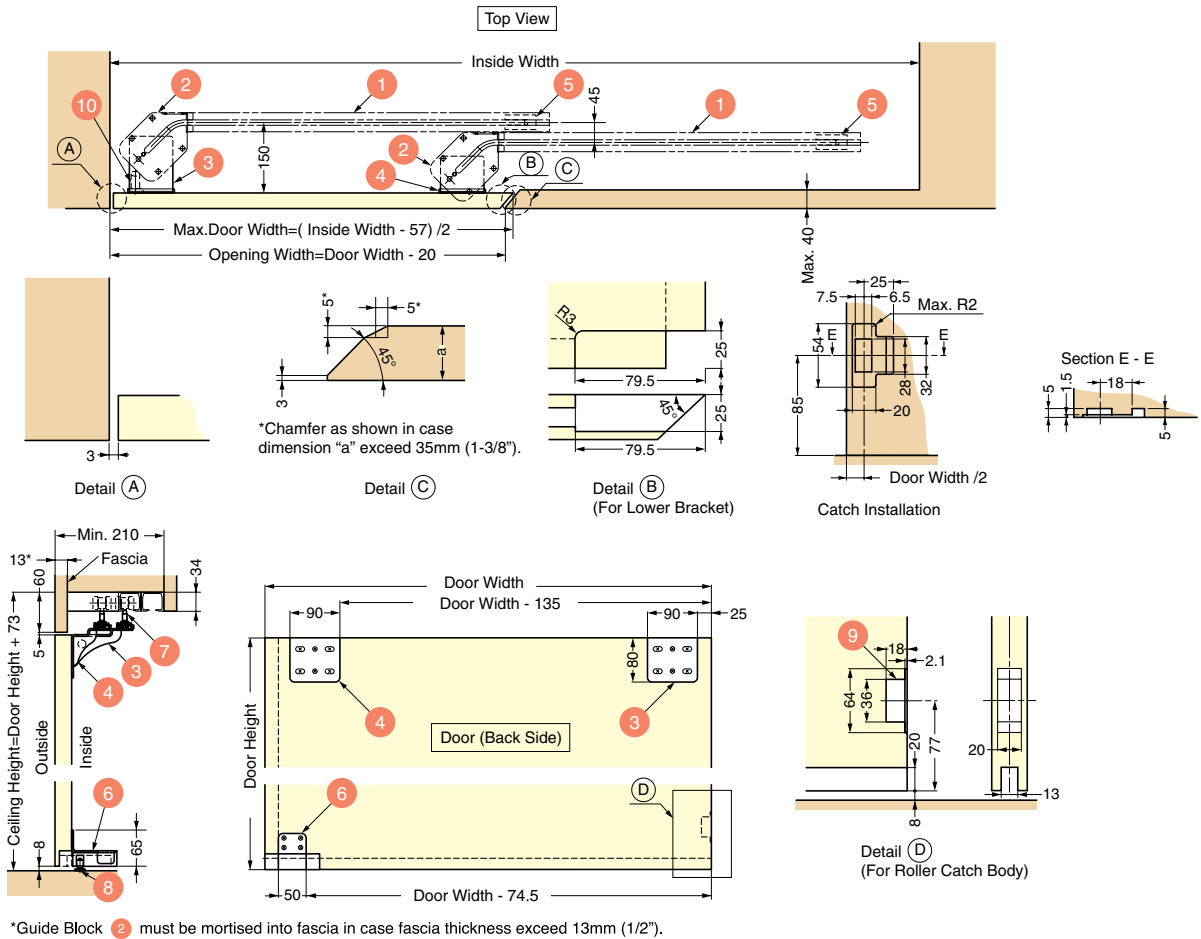
- **Flush Surface**
Designed to close flush against surrounding walls, providing clean appearance.
- **Unique Movement**
Door moves in first, and then slides sideways.
- **Clean Appearance**
No bottom rails on floor required
- **Smooth Movement**
Bearing roller provides smooth movement.
Also door catch will pull the door to closed position.
- **Various applications**
Ideal for walk-in closets, stock room, hidden room applications etc.
*For single door application.

Note: Hardware must be installed onto a rigid frame, ceiling or wall to prevent door from falling off.



■ How the door moves





| Item No. | Description |
|-----------|--------------------------|
| MFU-940-R | For Right-Handed Opening |
| MFU-940-L | For Left-Handed Opening |

*All drawings shown is for Left-Handed, MFU-940-L.

■ Part Details

| No. | Qty | Part Name | Dimensions | Description |
|-----|------|-----------------------|------------|---------------------------------------------------------------------------------------------------------------------------|
| 1 | 2pcs | Upper Track | | <ul style="list-style-type: none"> Material Aluminum Finish Anodized |
| 2 | 2pcs | Guide Block | | <ul style="list-style-type: none"> Material Polycarbonate Aluminum Color White |
| 3 | 1pc | Upper Bracket A | | <ul style="list-style-type: none"> Material Steel Finish Clear Zinc Chromate |
| 4 | 1pc | Upper Bracket B | | <ul style="list-style-type: none"> Material Steel Finish Clear Zinc Chromate |
| 5 | 2pcs | Stopper | | <ul style="list-style-type: none"> Material PBT / Steel Finish White / Zinc Chromate |
| 6 | 1pc | Bottom Guide Block | | <ul style="list-style-type: none"> Material Steel / Polyamide Finish Clear Zinc Chromate |
| 7 | 2pcs | Upper Roller | | <ul style="list-style-type: none"> Material Polyamide Steel Aluminum |
| 8 | 1pc | Bottom Guide Pin | | <ul style="list-style-type: none"> Material 304 Stainless Steel / Polyacetal Finish Plain / White |
| 9 | 1pc | Magnetic Roller Catch | | <ul style="list-style-type: none"> Material Steel Finish Chrome |
| 10 | 1pc | Handle | | <ul style="list-style-type: none"> Material 304 Stainless Steel Finish Mirror |