

Thank you for purchasing our MonoFlat UNISON Flush Sliding Door System. Before you begin the assembly, read this manual thoroughly for proper installation.

After installation, hand this manual over to the user.

**⚠ Warning** If this symbol is ignored or the following warnings are not observed, there is a danger of death or serious injury due to damage of the product.

**⚠ Caution** Ignoring this symbol or failure to observe the following cautions may not only result in improper installation but may also cause personal injury or damage to household items due to accidents.

## ■ Features

- Unitized catch function allows easy installation by simply cutting the rails.
- Catch function ensures safety, preventing the door being left unclosed.
- No bottom track on floor required, providing flat surfaces.
- Easy installation with using fewer parts (the part set includes templates for rail installation).

## ■ Installation Notices

### ⚠ Cautions

- Observe the indicated measurements, specifications and make sure that the individual sections are horizontal or vertical as required. Warpage, sloping or twisting of frames and doors could cause malfunction or impaired performance of the product.
- Only for indoor use in general houses. Do not use for other purposes.
- Adjust frameworks correctly as it is not possible to make adjustments after installation.
- Use only manual screwdrivers. Using an electric screwdriver could cause excessive tightening of screws, leading to part damage and impaired performance of the product.
- Install to the rigid frames that can bear shock during opening/closing and the weight of the door. Insufficient strength of the framework may not only cause a significant decrease in the performance but may also result in danger of the door falling off.
- After hanging in the door and prior to operating it, make sure that the upper stopper has been installed.
- Right- and left-handed opening types are available.

## ■ Cautions During Use

### ⚠ Cautions

- Open and close the door gently to prevent the door from being damaged or falling off.
- Do not bump or lean against the door to prevent damage or falling off.
- Use the handle correctly to prevent fingers from being caught in the door. Be careful especially when small children are nearby.
- Keep the product away from stoves or other source of heat, as this could warp the door and cause an impaired performance.
- The contents of the products listed in this catalogue are within the quality range as parts. This does not guarantee the function, performance and safety of the final product using these parts.

## ■ Disclaimer

The quality resulting from conditions on the site and installation operations consists of several elements over which this company has no influence. As a result, this company does not assume any responsibility regarding secondary damage, loss or expenses resulting from those causes.

For Overseas Customers

### **SUGATSUNE KOGYO CO., LTD.**

1-8-11 HigashiKanda, Chiyoda-ku,  
Tokyo 101-0032, Japan

TEL:+81(0)3-3866-2260 FAX:+81(0)3-3866-4447

<http://www.sugatsune.co.jp>

E-mail : [export@sugatsune.co.jp](mailto:export@sugatsune.co.jp)

ISO9001(JSAQ384) ISO14001(JSAE597) CERTIFICATE.



For North American Customers

### **SUGATSUNE AMERICA, INC.**

221 East Selandia Lane,  
Carson, CA 90746, U.S.A.

TEL:+1-310-329-6373 FAX:+1-310-329-0819

TOLL FREE:(800) 562-5267 (from U.S.A only)

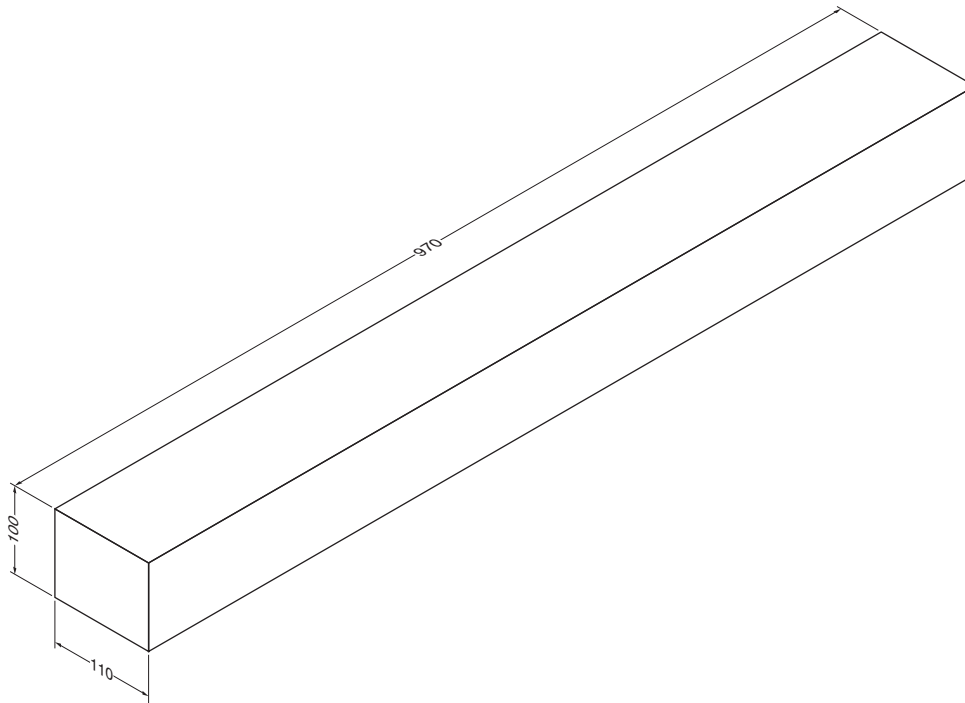
<http://www.sugatsune.com>

E-mail : [sales@sugatsune.com](mailto:sales@sugatsune.com)

2009.02 0409-1

## Contents of Package

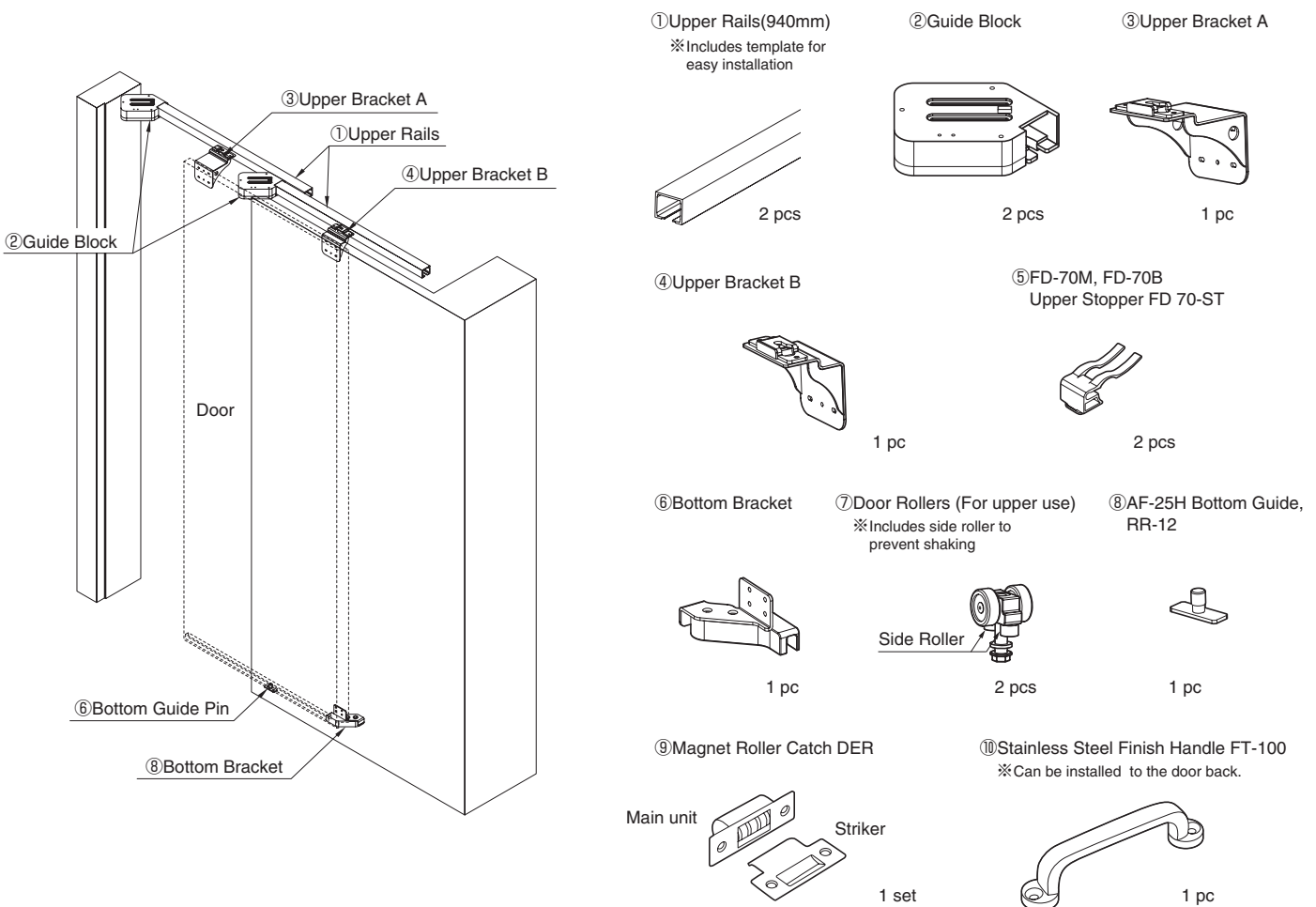
### ■ Packing Specifications



### ■ Contents of Package

No.	Part Name	Part Number	Size	Q' ty./Set	Remarks
①	Upper rail		940 mm	2 pcs	
②	Guide Block			2 pcs	
③	Upper Bracket A			1 pc	
④	Upper Bracket B			1 pc	
⑤	Upper Stopper			2 pcs	
⑥	Bottom Bracket			1 pc	
⑦	Door Rollers			2 pcs	For upper use
⑧	Bottom Guide Pin			1 pc	
⑨	Magnetic Roller Catch			1 pc	
⑩	Stainless Steel Finish Handle			1 pc	
⑪	Cross-recessed round head wood screw		4.1 × 32	10 pcs	For upper rails
⑫	Cross-recessed round head wood screw		4.1 × 20	16 pcs	For upper/bottom brackets
⑬	Cross-recessed round head wood screw		3.1 × 20	2 pcs	For bottom guide pins
⑭	Cross-recessed head wood screw (coarse thread)		4.2 × 65	6 pcs	For guide blocks
⑮	Upper rail installation template			1 pc	

## Parts Details (This figure shows the left-handed opening type. The right-handed opening type is a mirror image.)



### Provided Screws

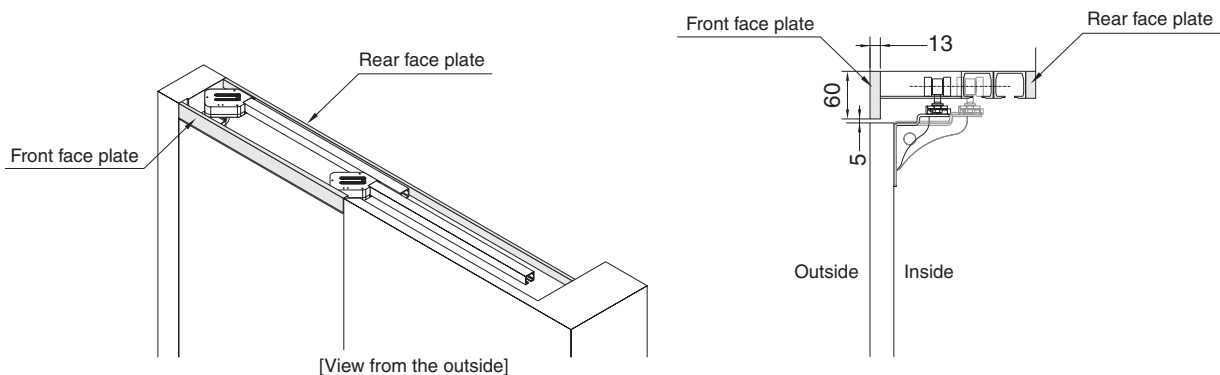
- ① Cross-recessed Round Head Wood Screw 4.1 × 32  
··· 10 pcs (for upper rails)
- ② Cross-recessed Round Head Wood Screw 4.1 × 20  
··· 16 pcs (for upper and bottom brackets)
- ③ Cross-recessed Round Head Wood Screw 3.1 × 20  
··· 2 pcs (for bottom guide)
- ④ Cross-recessed Wood Screw (Coarse Thread) 4.2 × 65  
··· 6 pcs (for guide blocks)
- ⑤ Upper rail installation template

### Items to be prepared by the installer

- Panels
  - Face Plates  
Face plate size = height: 60, width: DW-20, thickness: 13
- Tools
  - Screwdriver
  - Hex. wrench

### Face plate measurement

- Front face plate should be 60 mm high, 13 mm thick. Match the side measurement with the width of the opening.
- Measurement of the back face plate is optional.

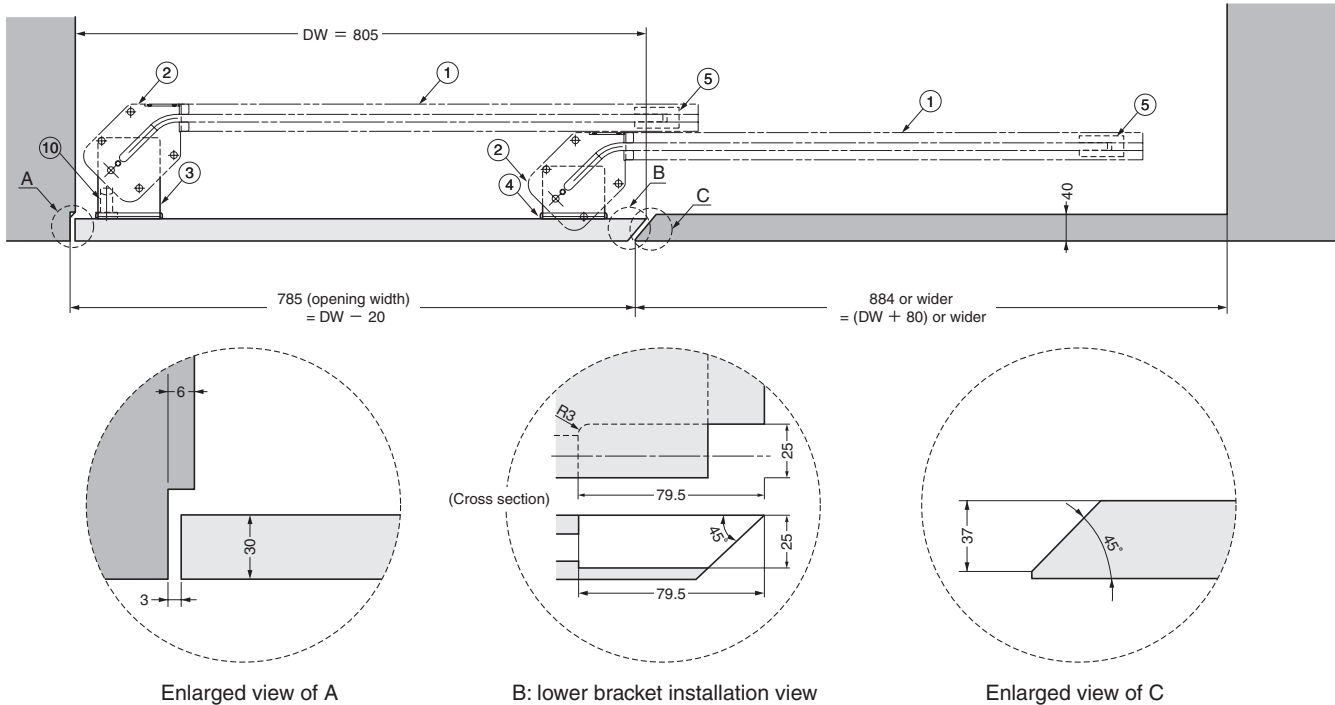


# Measurement Example of Installation and Processing

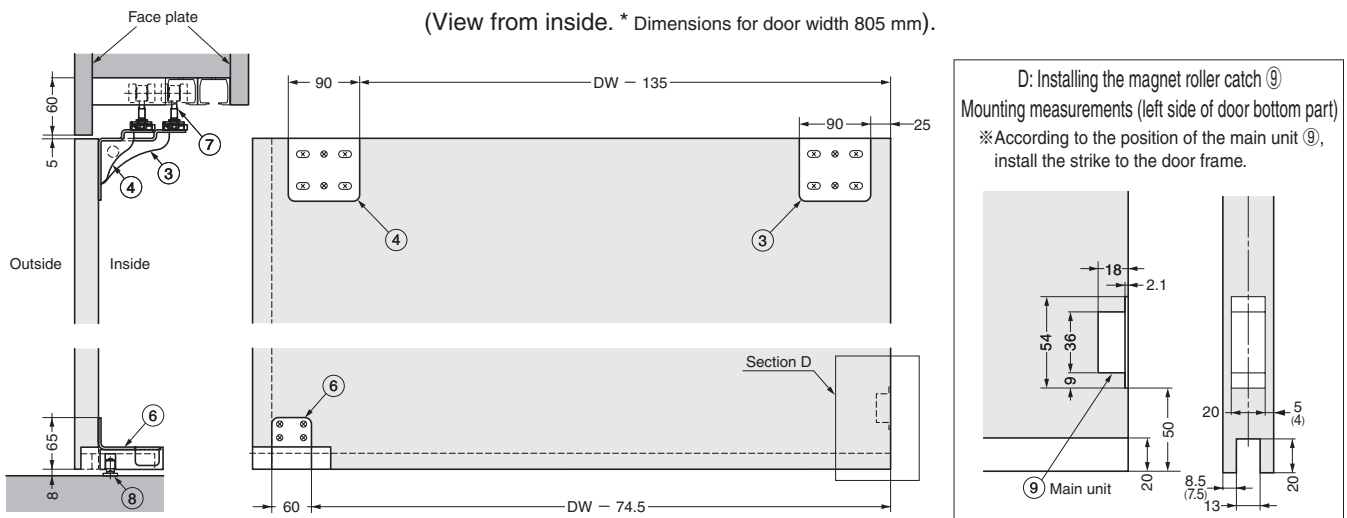
(This figure shows the left-handed opening type. The right-handed opening type is a mirror image.)

- This figure shows measurements when the door width is 805 mm.
- The rail length (645 mm) increases, if the door width is widened.
- Use a recessed type handle for the outside surface of the door. The measurements of the handle should be less than 3 mm in this case.
- Be careful about the installation position of the door stopper, or the outside handle on the front door may be hidden when the door is housed (when the door is completely open) and it might not be possible to operate the handle.

(View from above. \* Dimensions for door width 805 mm).



(View from inside. \* Dimensions for door width 805 mm).



## Specifications

Door Width	800-1000 mm*1
Door Height	Max. 2500 mm
Door Thickness	28-30 mm*2
Door Weight	Max. 30 kg
Adjustment Margin	(Back/Front) ± 2.5 mm, (Left/Right) ± 1 mm, (Up/Down) ± 2.5 mm

\*1: If the upper rail is 940 mm, the door width is 1,000 mm.

\*2: A door with a thickness of 30 mm or more can be used, if boring is carried out to the door for installing the bracket.

## Calculating formula of the rail length and door height

Rail length = door width - 160

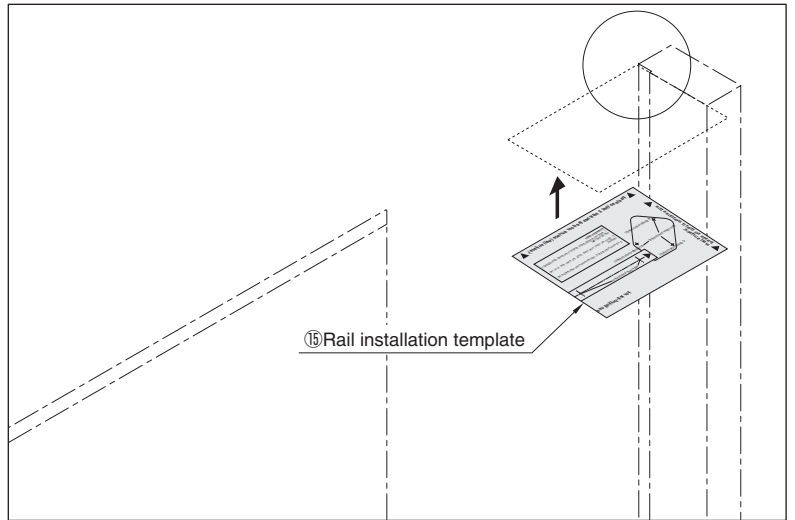
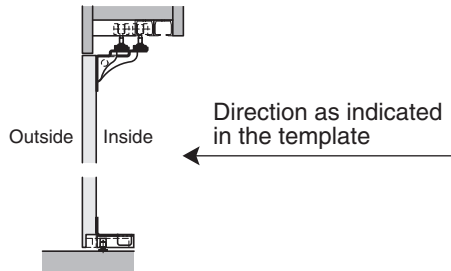
Door height = height in the frame - 73

Note: Check for any errors in the specified measurements, that the sections are horizontal or vertical, and that there is no warpage on the door.

## Step 1. Install the Rail and the Guide Block

This figure shows the left-handed opening type. The right-handed opening type is a mirror image.

1. Paste the rail installation template ⑮ (included in the package) on the ceiling so that the reference line on the template aligns with the left side of door and the outside of the door.



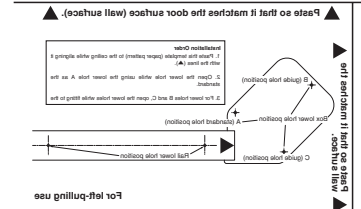
### Pasting position and installation order of the template

#### Installation Order

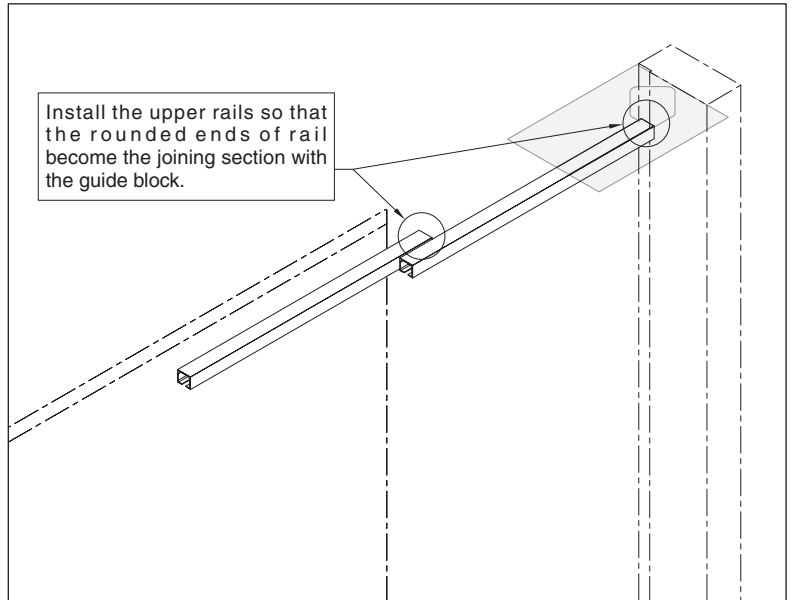
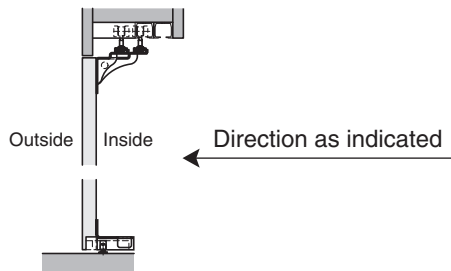
1. Paste this template (paper pattern) on the ceiling according to the ▲ indication.
2. Drill a pilot hole with reference to the pilot hole A.
3. Drill the pilot holes B and C with fitting to actual parts.

#### Pasting position

Paste to the ceiling according to the positions of the wall and door surfaces indicated by ▲.

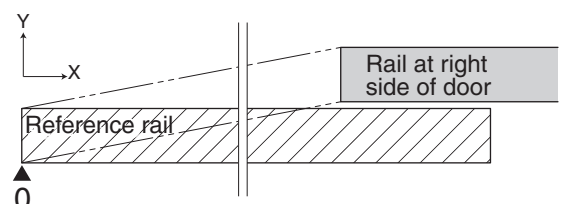


2. Install the inside upper rail (left side of door) using the cross-recessed round head wood screw  $4.1 \times 32$  ⑪ according to the rail installation template. Cause offsetting of the rail at right side of door and then install the rail using the cross-recessed round head wood screw  $4.1 \times 32$  ⑪ in the same way as the reference rail. When installing the upper rails, make the upper rail and the guide block join at the rail ends with rounded corners. Remove the template when the two upper rails have been installed.



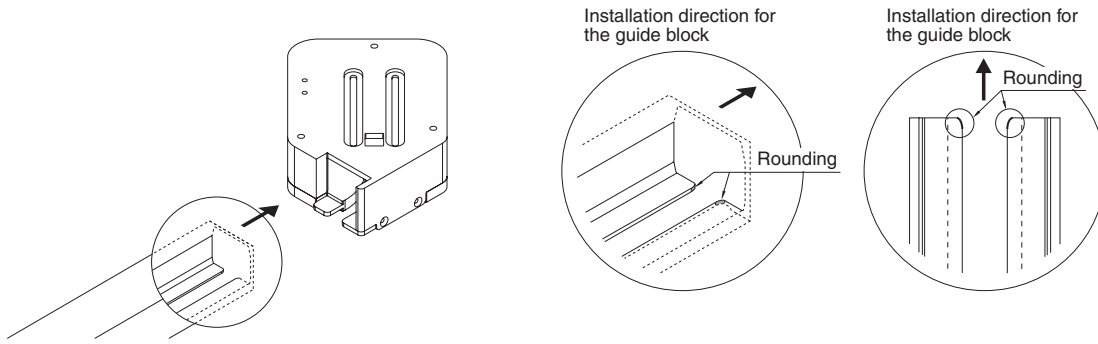
### How to calculate the offset measure of the rail at right side of door from the reference rail

From "0" of the reference rail  
 X direction: door width - 160 mm  
 Y direction: 40 mm (rail width) + 5 mm

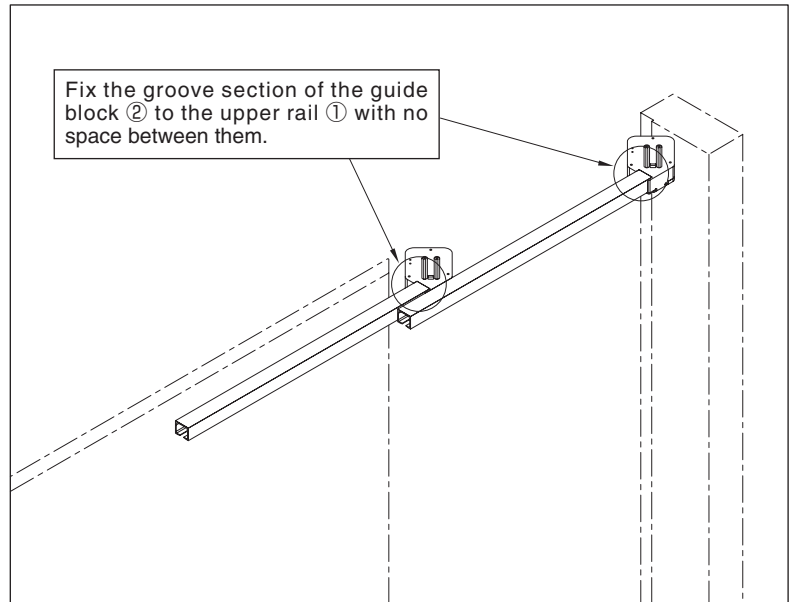
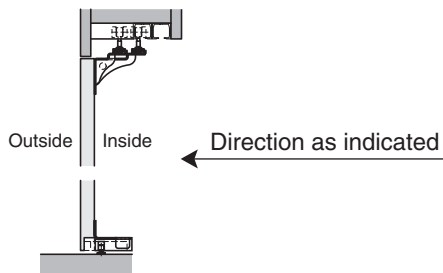


## Installing Upper Rail and Guide Block

Install the guide block to the rounded end of the upper rail.



3. Fit the guide block ② into the upper rail without space between them and install with the cross-recessed wood screw (4.2 × 65).

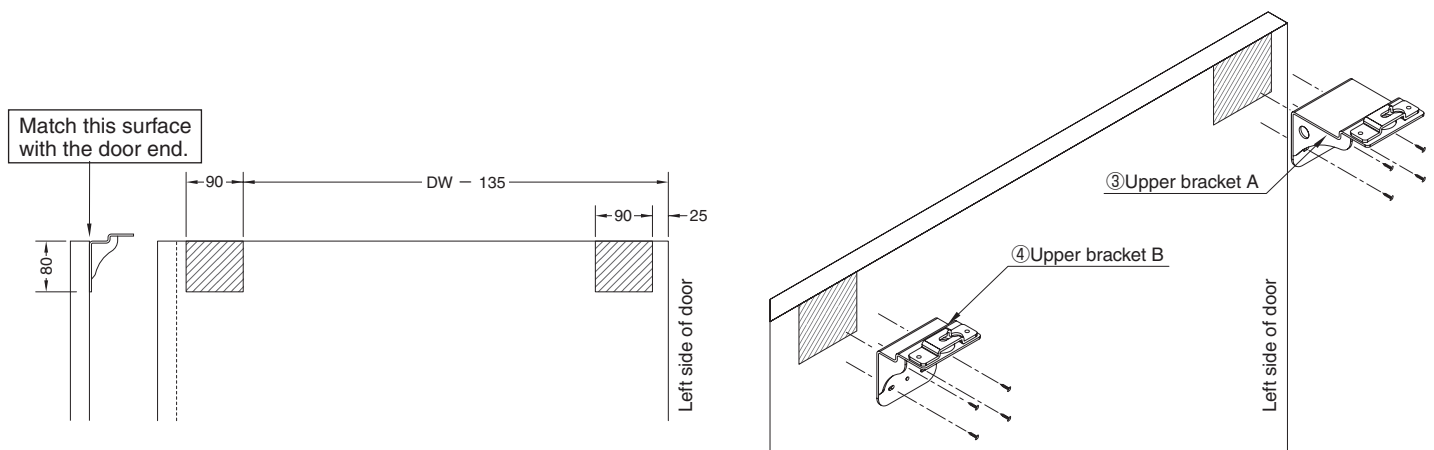


## Step 2. Install the upper bracket and bottom bracket to the inside of the door.

### ■ Upper brackets

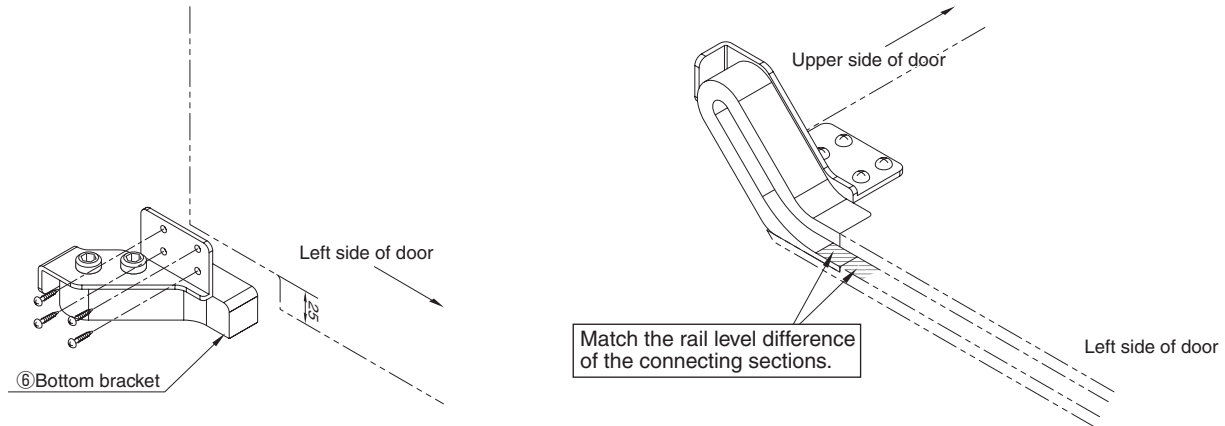
● Install brackets A and B to the top of the door as shown in the figure.

Install them to the long holes using four cross-recessed round head wood screws 4.1 × 20 ⑫ at the positions shown in the figure.



## Bottom Bracket

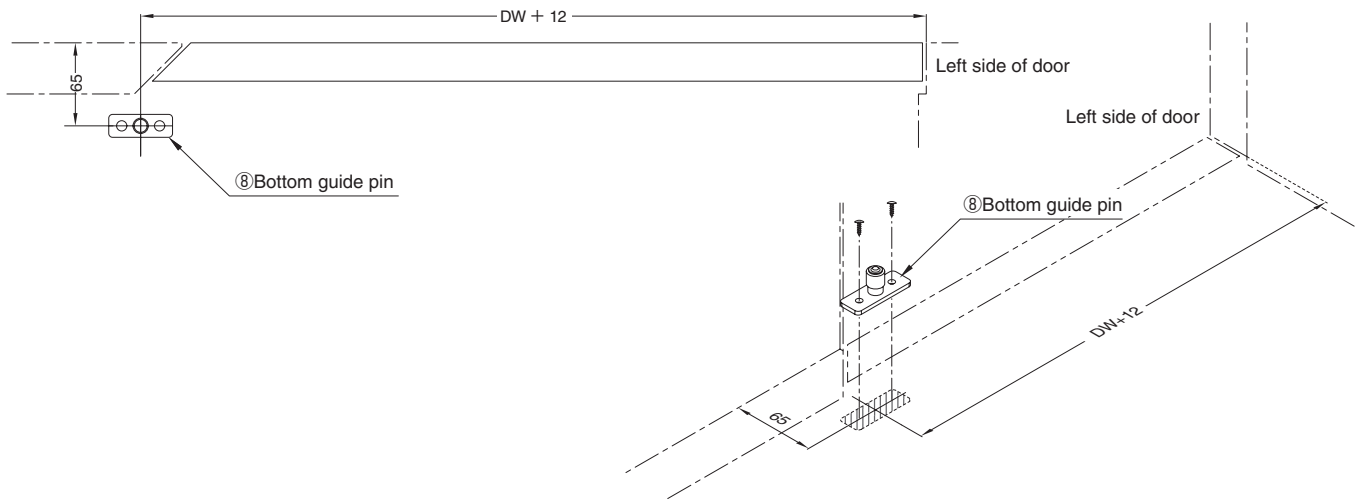
- Install the bottom bracket to the bottom of the door, by reference to the figure, using cross-recessed round head wood screws  $4.1 \times 20$  ⑫.



## Step 3. Install the bottom guide pin

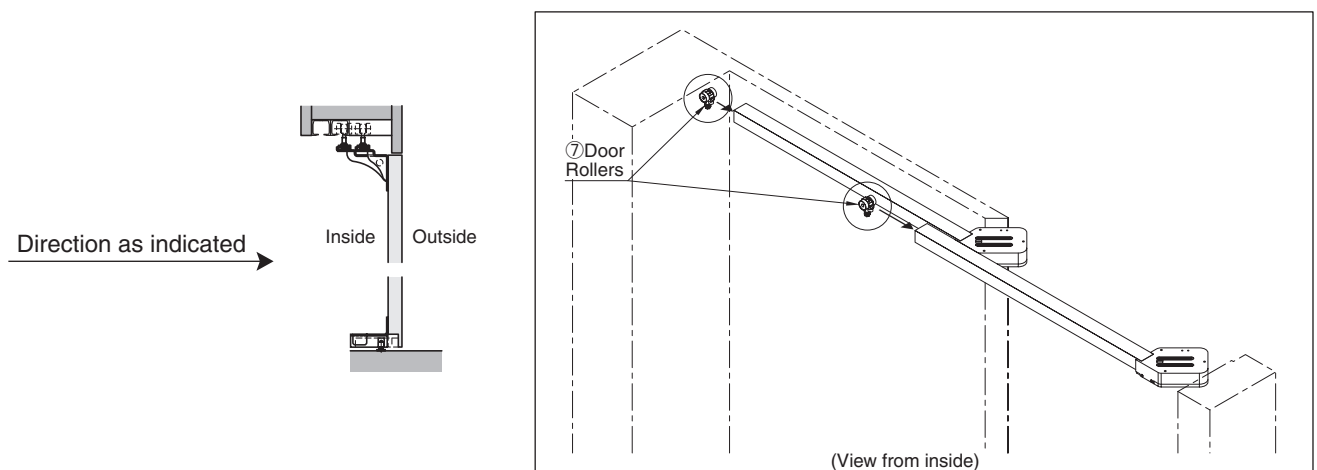
This figure shows the left-handed opening type. The right-handed opening type is a mirror image.

- Install the bottom guide pin referring to the figure using two cross-recessed round head wood screw  $3.1 \times 20$  ⑬ and a flat head tapping screws (attached to the bottom guide pin).

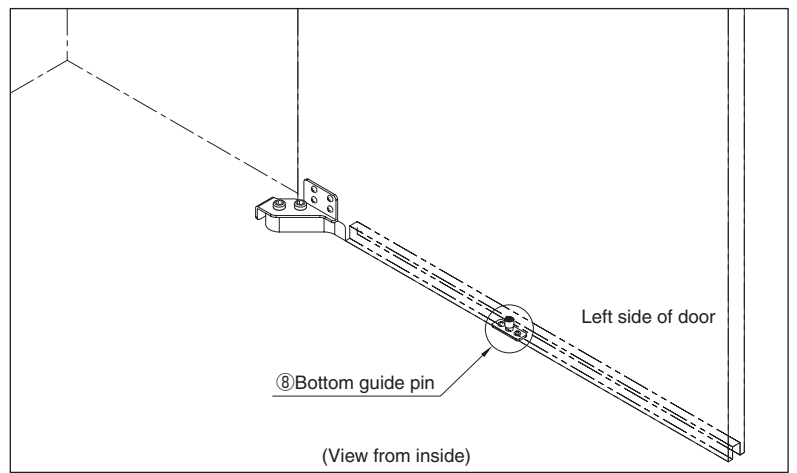
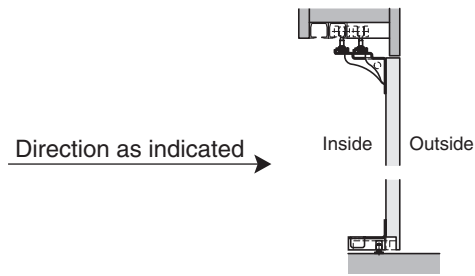


## Step 4. Hang in the door and adjust.

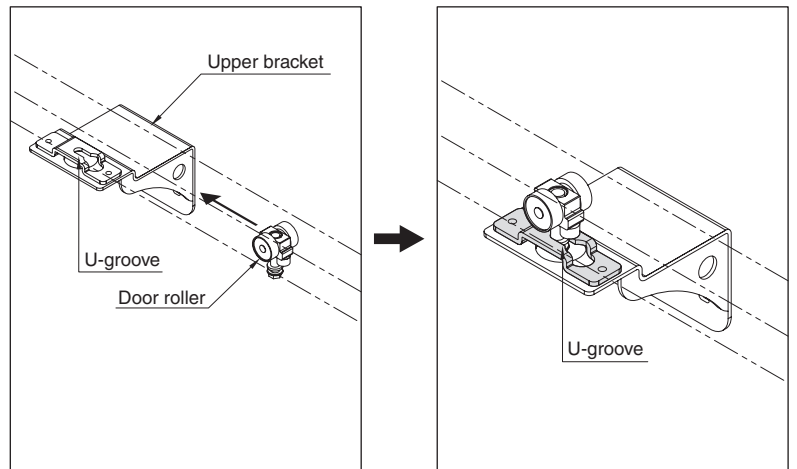
1. Insert the door rollers ⑦ on the upper rail.  
(Insert only the door rollers from the end of the rail).



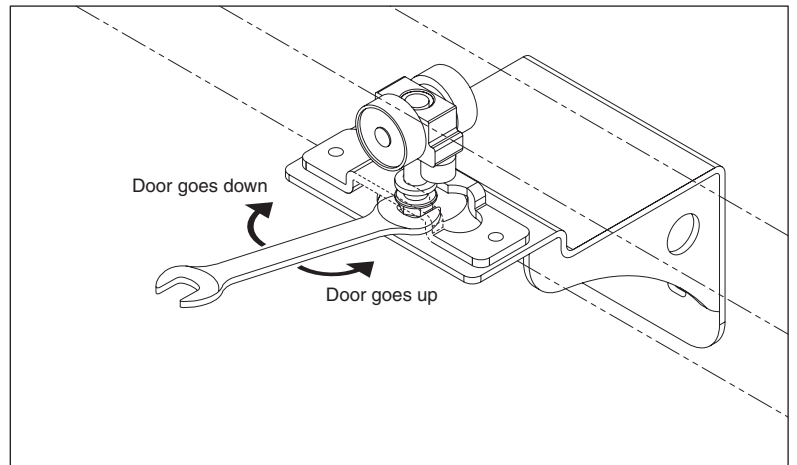
2. Before hanging in the door, insert the bottom guide pin in the groove on the door. Temporarily set the top stopper to prevent the door from falling off and insert the bottom guide pin.



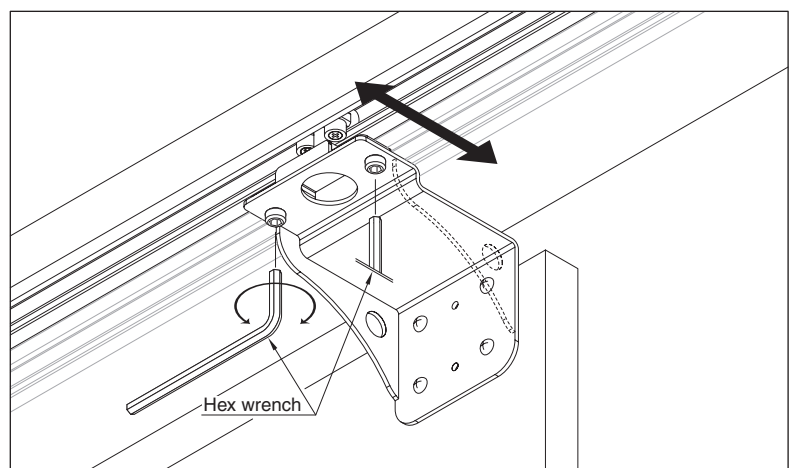
3. With keeping the state described in procedure 2, hang in upper bracket A and upper bracket B with the hanging bolts of the door rollers. Push the hanging bolt so that it goes all the way in the U-groove on the upper bracket.



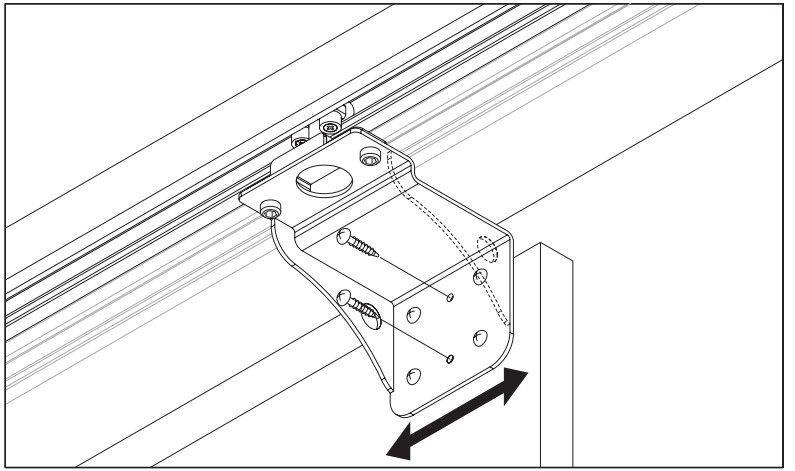
4. Adjust the bottom of the door horizontal, 8 mm above the floor level. Turn the nut on the door roller using a wrench for adjustment (up/down  $\pm 2.5$  mm).



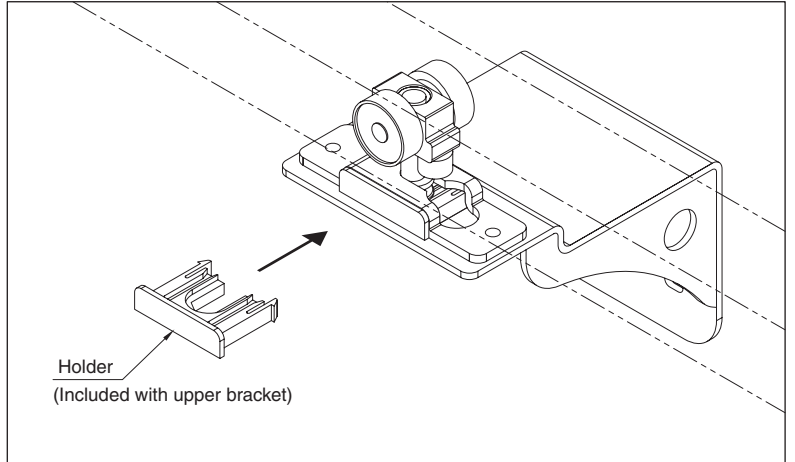
5. Loosen the screw on the top of the upper bracket and adjust in a front/back direction at the long hole (front/back  $\pm 2.5$  mm). After adjusting, tighten the screw to fix the upper bracket



6. Loosen the screw at the long hole on the bottom of the upper bracket, and carry out left/right adjustment ( $\pm 1$  mm).  
After adjusting, tighten the screw and fix the upper bracket using cross-recessed round head wood screws 4.1x20 ⑫.

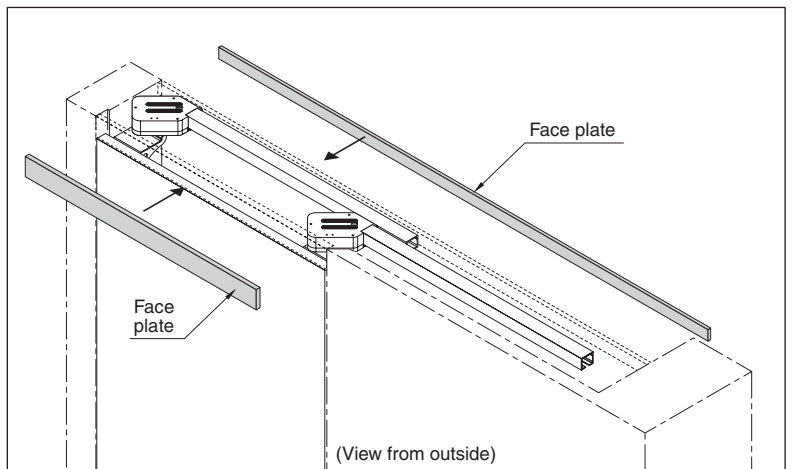


7. After all adjustments have been made, secure the hung-in door with the holder. Insert the holder completely into the hanger bracket.



## Step 5. Install the face plates

Install the face plates to the front side top and inside top.





# Caution



## ■ Installation, First Steps

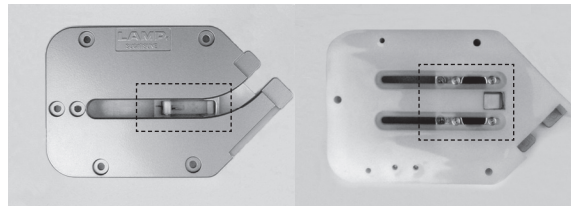
Paste the enclosed upper rail installation template to the ceiling and determine the upper rail installation position.

## ■ Danger

This package contains heavy parts which could cause injury when dropped. Be very careful when installing this equipment.

## ■ Return to Origin Point

Confirm before the installation that the lock plate of the guide block is in the specified position.



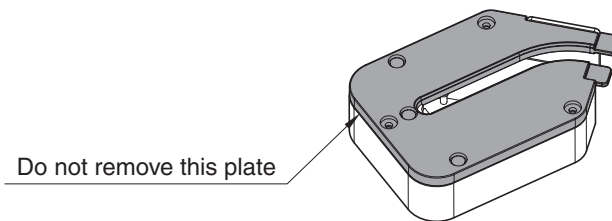
[Specified Position]

## ■ Upper Stopper

Be sure to install the upper stopper ⑤ after hanging in the door.  
※The door can fall out if the upper stopper is not installed.

## ■ Guide Plate

Do not remove the guide plate from the guide block ②.



## ■ Installing the Upper Rails and the Guide Block

Install the upper rail and guide block in the side where there are rounded ends on the upper rails.

