

05586/GOR  
Buy Line 5925

# COLUMN COVERS

**GORDON**  
INTERIOR SPECIALTIES DIVISION

# COLUMN COVERS

For over 40 years, Gordon, Inc. has been recognized as the premier manufacturer and the provider of solutions for the interior construction specialty market. Gordon is now providing the market with a new alternative for column cover manufacturing. Our cutting-edge technology, superior custom fabrication capability, and excellent customer service, sets us apart from other manufacturing organizations. Gordon's relentless commitment to out-perform the competition with quality, service, and low cost will win your business.

Gordon Column Covers are competitively priced, easy to install, and fabricated with the highest quality materials. Look no further...Gordon is the best choice to meet your column cover needs.



# COLUMN COVERS

## Metals

Gordon, Inc. offers many different metal options to meet your design criteria.

### Stainless Steel

- Polished #8
- Brushed #4
- Mechanical finishes

### Aluminum

available .063", .090", or .125" thickness

### Galvanized Steel

available in 14, 16, or 18 gauge

### MILLENNIUM®

available in .063" thickness

## Fabrication

Gordon Column Covers are available in the following design configurations:

- Quarter Round
- Half Round
- Full Round
- Oval
- Elliptical
- Square

Reveals are available in:

- Horizontal
- Vertical
- Combination of reveals

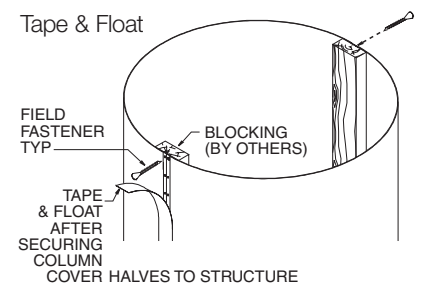
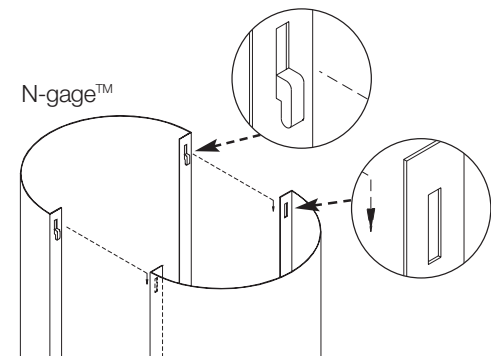
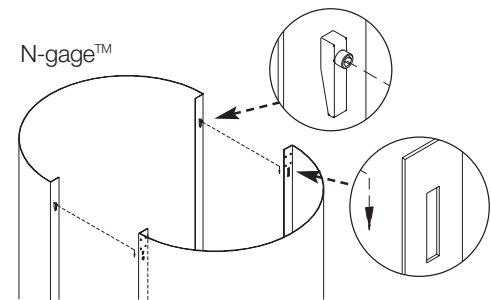
## Finishes

**ACROGUARD™** is a next generation, super-durable, polyester powder coat finish. It is a U/V, chemical, and high impact resistant finish that is suitable for interior and exterior applications. Other finishes are also available. Contact Gordon for more details.

## Connection System

The **N-gage™** connection system offers quick reliable installation and accessibility.

The Tape & Float connection system creates a monolithic column...Gordon has the solution.





Gordon, Inc. is represented by independent sales representatives throughout the world. They stand ready to assist you in design, pricing, and coordination. Contact our headquarters for the name of your nearest representative.

Detailed specifications on all products described in this brochure are available in AIA Masterspec™ format from Sweet Source, Spec Disc, or our website [www.gordonceilings.com](http://www.gordonceilings.com).

\*Patent Number 6,148,585

# GORDON

INTERIOR SPECIALTIES DIVISION

P.O. Box 4347  
Shreveport, Louisiana 71134

5023 Hazel Jones Rd.  
Bossier City, Louisiana 71111

Toll-Free: 800-747-8954  
Tel: 318-747-8954  
Fax: 800-877-8746  
[www.gordonceilings.com](http://www.gordonceilings.com)  
[sales@gordonceilings.com](mailto:sales@gordonceilings.com)