

SIMPLEX® CEILINGS

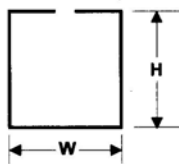
255 Montpelier, St. Laurent
(Montreal) QC, Canada H4N 2G3
Tel: (800) 638-5726 Fax (514) 744-2716
www.simplexceilings.com

Specifications

Beamgrid Series

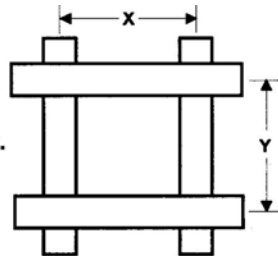
- Panels:** Provide Simplex Ceilings Beamgrid system manufactured from 0.020" (0,51mm) or 0.032" (0.81 mm) thick aluminum or steel. Beam dimensions will be as shown below. All outside corners must be mitered. Provide all hanger couplers and corner brackets necessary to suspend ceiling. Exposed floating perimeter beam will have un-notched visible surfaces.
- Finish:** Select from Simplex Ceiling standards for Open Cell Series. Custom colors available upon request
- Perimeter:** Provide L-mould, Perimeter Beams or combination of Perimeter beam and "L" mould for wall to wall, floating or a combination application.

BEAM SIZES (nominal)



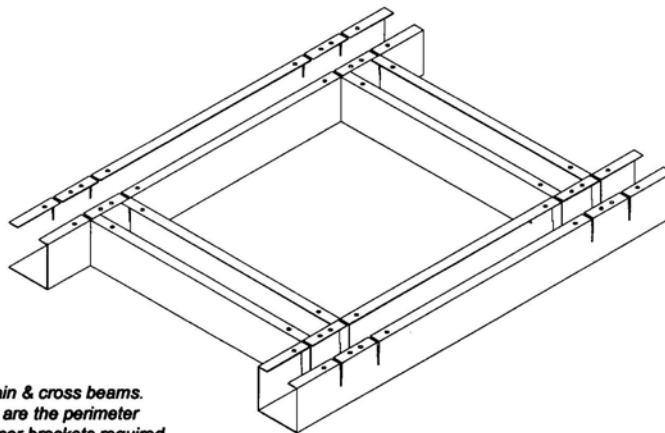
W	x	H
1" (25 mm)	x	1" (25 mm)
1" (25 mm)	x	2" (51 mm)
2" (51 mm)	x	2" (51 mm)
2" (51 mm)	x	4" (102 mm)
3" (76 mm)	x	3" (76 mm)
4" (102 mm)	x	4" (102 mm)

DISTANCES O.C.



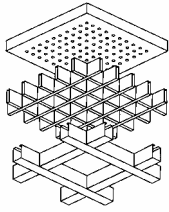
X	x	Y
12" (305 mm)	x	12" (305 mm)
12" (305 mm)	x	12" (305 mm)
16" (407 mm)	x	16" (407 mm)
24" (610 mm)	x	24" (610 mm)
24" (610 mm)	x	24" (610 mm)
24" (610 mm)	x	24" (610 mm)
36" (914 mm)	x	36" (914 mm)
36" (914 mm)	x	36" (914 mm)

X	x	Y
16" (407 mm)	x	16" (407 mm)
18" (457 mm)	x	18" (457 mm)
36" (914 mm)	x	36" (914 mm)
30" (762 mm)	x	30" (762 mm)
48" (1219 mm)	x	48" (1219 mm)
48" (1219 mm)	x	48" (1219 mm)



NOTE:

Drawing at right shows main & cross beams. Not shown in this diagram are the perimeter beam, the hanger and corner brackets required to complete a typical beam ceiling.



SIMPLEX®

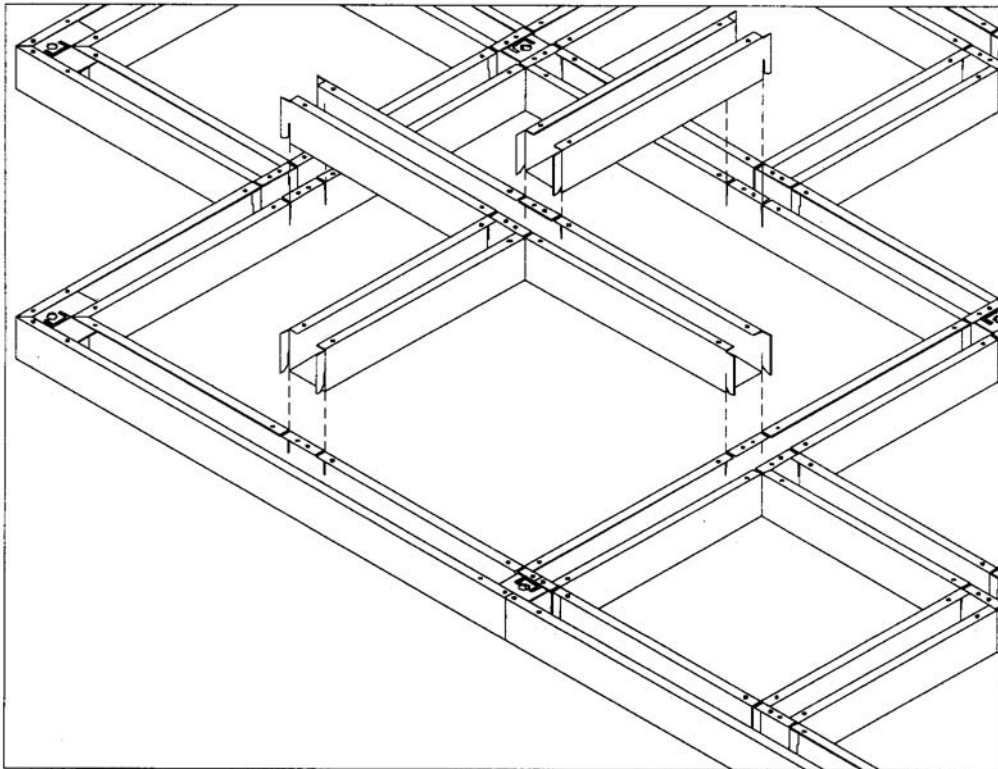
CEILINGS

255 Montpelier, St. Laurent
(Montreal) QC, Canada H4N 2G3
Tel: (800) 638-5726 Fax (514) 744-2716
www.simplexceilings.com

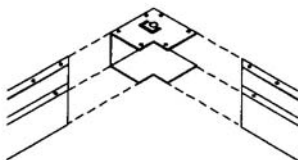
Specifications

Open Cell Beamgrid Series

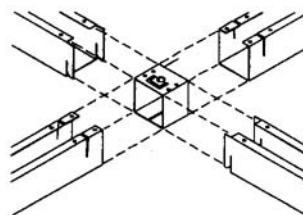
Assembly Detail for Beamgrid Series



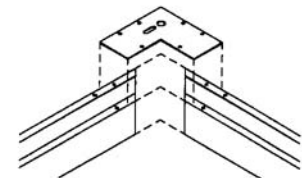
Joint Details of Beams



Corner Bracket



Hanger Bracket

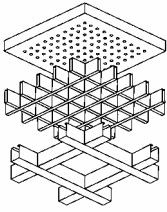


Corner Plate

Specifications subject to change without notice.

OCRS 02 1297

Specification subject to change without notice



SIMPLEX®

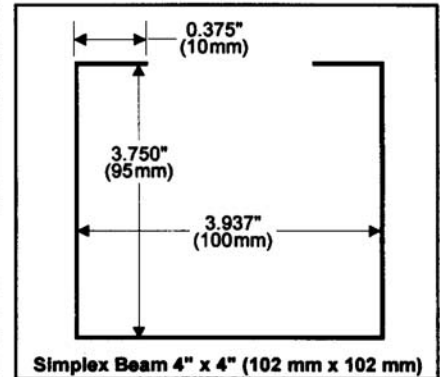
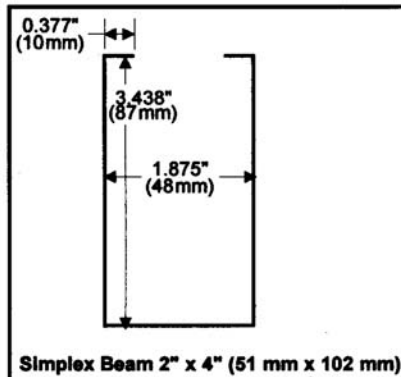
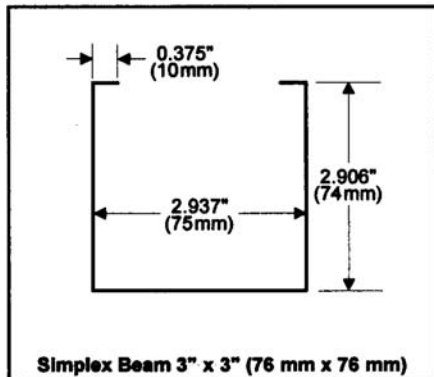
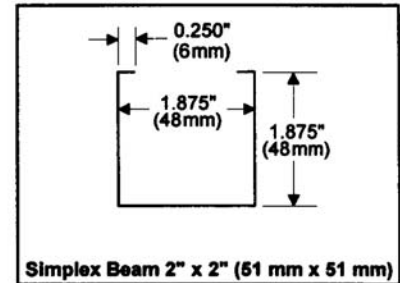
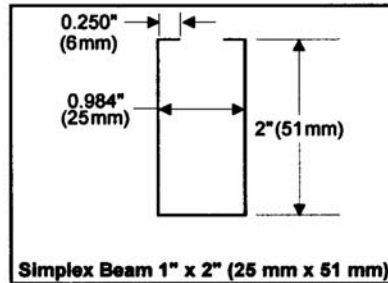
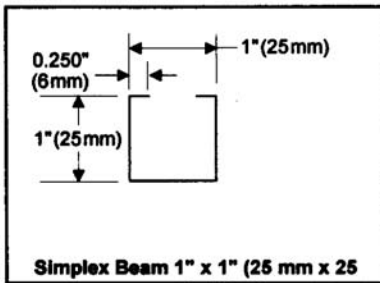
CEILINGS

255 Montpelier, St. Laurent
 (Montreal) QC, Canada H4N 2G3
 Tel: (800) 638-5726 Fax (514) 744-2716
 www.simplexceilings.com

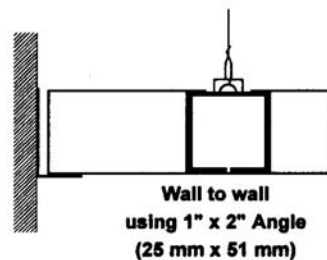
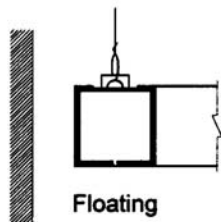
Specifications

Open Cell Beamgrid Series

Beamgrid Series Profile (Not to scale)



Perimeter Detail using Hanger Wire (by others)



Perimeter Detail using Hanger Rod (by others)

