



Prices effective May 2, 2011

Published June 2011

SAYL® Chairs

Introduction	page 2
SAYL® Chairs	3
Work Chairs	5
Side Chairs	18
Accessories	24
Indices	27
By Name	27
By Number	29
Appendices	
To view and/or print price book appendices, select the appropriate price book from HermanMiller.com .	

Introduction

A Note on the Organization of This Book

There are a few signals that will help you understand the organization of this book. Once you know them, you should be able to find your way around easily.

Like a newspaper, this book is formatted with columns of text and illustrations that run vertically.

Information wraps from one column to the next and continues for as many pages as it needs to.

Black bars are clues.

A black bar at the top of a page signals the start of information about a product.

This information is divided into two sections, each signaled by a black bar. Product Information includes a description, additional notes, and dimensional drawings. Specification Information, which always begins at the top of a column, includes a series of steps. Each step represents a decision you need to make in order to complete your product number. Steps must be followed sequentially. The number of pages needed to complete information on a product varies; some will be complete in one page; others may fill three or four pages. Just continue going through the steps until you run into the next product, signaled by the black bar at the top of the page.

Black tabs running along the outside edge of the page help you locate what section you are in or what section you want to go to. You can thumb forwards or backwards to find a section; tabs and text appear on both sides of the page.

The additional pages in the back of the book include the appendices and indices. They are signaled by a long black bar running along the outside edge of the page.

The index is presented two ways.

The first index is in alphabetical order by product name. It can be helpful if you are new to the products and numbering scheme or if you are looking for a type of product, such as work chair or round table.

The second index is by product number. It lists, in alphanumeric order, the base product number, typically a five-digit number.

General Information

This book is effective May 2, 2011, subject to change without notice. Products may be purchased from authorized Herman Miller dealers who will quote prices upon request. For more information about our products and services or to see a list of dealers, visit www.HermanMiller.com.


All prices are list prices. Additional services, such as planning services, design, storage, and installation, are not included and must be added to these prices when the additional services are requested.


Illustrations, specifications, and prices are based on the latest information at the time of publication. The right is reserved to make changes at any time without notice in prices, fabrics, finishes, materials, specifications, and models, and also to discontinue models and finishes.

Dimensions shown in the drawings are engineering drawing dimensions rounded up to the nearest $\frac{1}{8}$ ". Product is shipped set up or knocked down. Products that include "Shipped knocked down" in the description require some assembly. If this statement does not appear in the description, the product is shipped assembled.

Service problems are normally handled by a Herman Miller authorized dealer. Where this cannot be accomplished on a local level, service problems should be referred to the Customer Care Representative for your region, Herman Miller, Inc., Zeeland, Michigan 49464.

20-Day or Less/Assigned Lead-Time Shipments

All products and options in this price book not designated by an Assigned Program icon  will ship in **20 business days or less** after being acknowledged by Herman Miller.

Products and options designated by an  are on the assigned lead-time program and may ship in 20 days, less than 20 days, or more than 20 days from order acknowledgement.

Work Chairs

Side Chairs

Accessories

Work Chair, Suspension
Mid-Back, Value Package, Ready
to Assemble

AS2VA



Product Information

Description

This chair has a frameless 3D Intelligent™ Suspension back that allows freedom of movement, while providing targeted back support and moving heat away from the body. The suspension is supported by a Y-Tower™ and anchored at the bottom by the ArcSpan™. The chair has an upholstered seat with foam padding and passive Posturefit® back support. The synchronous tilt provides continuous balance and lets the body recline naturally, pivoting at the ankles, knees, and hips. The chair has a 5-star base and 3 height-adjustment options. The chair is all black, including the Y-Tower, arms, armpads, tilt cover, base, and black Crossover upholstery. Shipped knocked down and is ready to assemble with no tools required.

Tilt options include a tilt limiter and tilt limiter with seat angle. The tilt limiter allows the user to set the tilt range to limit the amount of recline. The tilt limiter with seat angle allows the user to set the tilt range and select a 5° forward seat angle.

Seat options include a fixed 16" seat depth, or an adjustable seat depth that allows the user to adjust the depth from 16" to 18".

Back-support options include a standard option with no additional support, and an adjustable lumbar support option. The standard option has passive Posturefit back support molded directly into the strands of the suspension material, providing targeted support at the base of the back, below the beltline, that helps achieve healthier posture and improved lower back comfort. The adjustable lumbar support option adds a user-adjustable lumbar that adjusts 4" in height.

Arm choices include a no arm option; a fixed, non-adjustable option; a height adjustable option that allows the arms to move 4" vertically; and a fully adjustable option that allows the arms to move 4" vertically, 1 3/8" horizontally, 2" front-to-back, with armpads that pivot 11° inward and 11° outward.

A fire-retardant chair meets CAL 133 requirements. The chair's upholstered seat is manufactured with a fire-retardant additive.

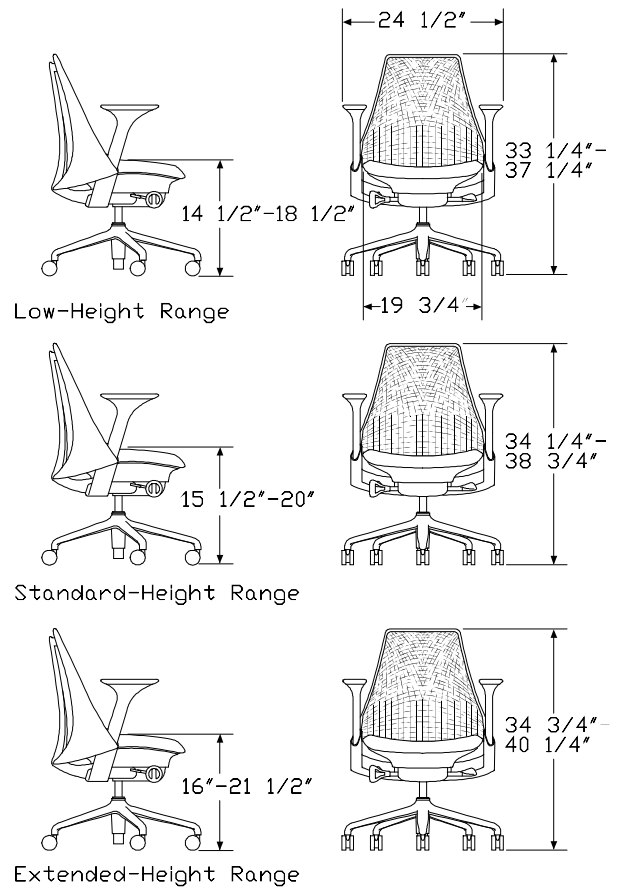
Notes

Chair is tested and warranted for use by persons 350 pounds and under.

Arms can be removed in the field with no tools required.

For information on casters and glides, see Casters and Glides in Appendices.

Dimensions



Work Chair, Suspension Mid-Back, Value Package, Ready to Assemble *continued*

Specification Information	
Step 1.	
AS2VA	<input type="checkbox"/> A
Step 2. Height Adjustment	
1	low-height range <input type="checkbox"/> A
2	standard-height range <input type="checkbox"/> A
3	extended-height range <input type="checkbox"/> A
Step 3. Tilt	
2	tilt limiter <input type="checkbox"/> A
3	tilt limiter and seat angle <input type="checkbox"/> A
Step 4. Arms	
N	no arms <input type="checkbox"/> A
P	fixed arms <input type="checkbox"/> A
H	height-adjustable arms <input type="checkbox"/> A
A	fully adjustable arms <input type="checkbox"/> A
Step 5. Seat-Depth Adjustment	
F	fixed seat depth <input type="checkbox"/> A
A	adjustable seat depth <input type="checkbox"/> A
Step 6. Fire Retardancy	
<i>For not fire retardant (*), skip this step.</i>	
FR	fire retardant <input type="checkbox"/> A

Prices for Steps 1-6.									
			NF*	NFFR	NA*	NAFR	PF*	PFFR	PA*
AS2VA	1	2	\$517	582	567	632	577	642	627
		3	\$552	617	602	667	612	677	662
	2	2	\$517	582	567	632	577	642	627
		3	\$552	617	602	667	612	677	662
	3	2	\$557	622	607	672	617	682	667
		3	\$592	657	642	707	652	717	702
			PAFR	HF*	HFFR	HA*	HAFR	AF*	AFFR
AS2VA	1	2	\$692	625	690	675	740	677	742
		3	\$727	660	725	710	775	712	777
	2	2	\$692	625	690	675	740	677	742
		3	\$727	660	725	710	775	712	777
	3	2	\$732	665	730	715	780	717	782
		3	\$767	700	765	750	815	752	817

			AA*	AAFR
AS2VA	1	2	\$727	792
		3	\$762	827
	2	2	\$727	792
		3	\$762	827
	3	2	\$767	832
		3	\$802	867
Step 7. Back Support Option				
N2	no additional support <input type="checkbox"/> A			+\$0
AJ	adjustable lumbar support <input type="checkbox"/> A			+\$40
Step 8. Casters				
BB	2½" hard caster, black yoke, carpet <input type="checkbox"/> A			+\$0
C7	2½" caster, black yoke, hard floors or carpet <input type="checkbox"/> A			+\$40

Work Chair, Suspension
Mid-Back, Ready to Assemble

AS2SA



Product Information

Description

This chair has a frameless 3D Intelligent™ Suspension back that allows freedom of movement, while providing targeted back support and moving heat away from the body. The suspension is supported by a Y-Tower™ and anchored at the bottom by the ArcSpan™. The chair has an upholstered seat with foam padding and passive Posturefit® back support. The synchronous tilt provides continuous balance and lets the body recline naturally, pivoting at the ankles, knees, and hips. The chair has a 5-star base and 3 height-adjustment options. Shipped knocked down and is ready to assemble with no tools required.

Tilt options include a tilt limiter and tilt limiter with seat angle. The tilt limiter allows the user to set the tilt range to limit the amount of recline. The tilt limiter with seat angle allows the user to set the tilt range and select a 5° forward seat angle.

Seat options include a fixed 16" seat depth, or an adjustable seat depth that allows the user to adjust the depth from 16" to 18".

Back-support options include a standard option with no additional support, and an adjustable lumbar support option. The standard option has passive Posturefit back support molded directly into the strands of the suspension material, providing targeted support at the base of the back, below the beltline, that helps achieve healthier posture and improved lower back comfort. The adjustable lumbar support option adds a user-adjustable lumbar that adjusts 4" in height.

Arm choices include a no arm option; a fixed, non-adjustable option; a height adjustable option that allows the arms to move 4" vertically; and a fully adjustable option that allows the arms to move 4" vertically, 1 3/8" horizontally, 2" front-to-back, with arm pads that pivot 11° inward and 11° outward.

A fire-retardant chair meets CAL 133 requirements. The chair's upholstered seat is manufactured with a fire-retardant additive.

Notes

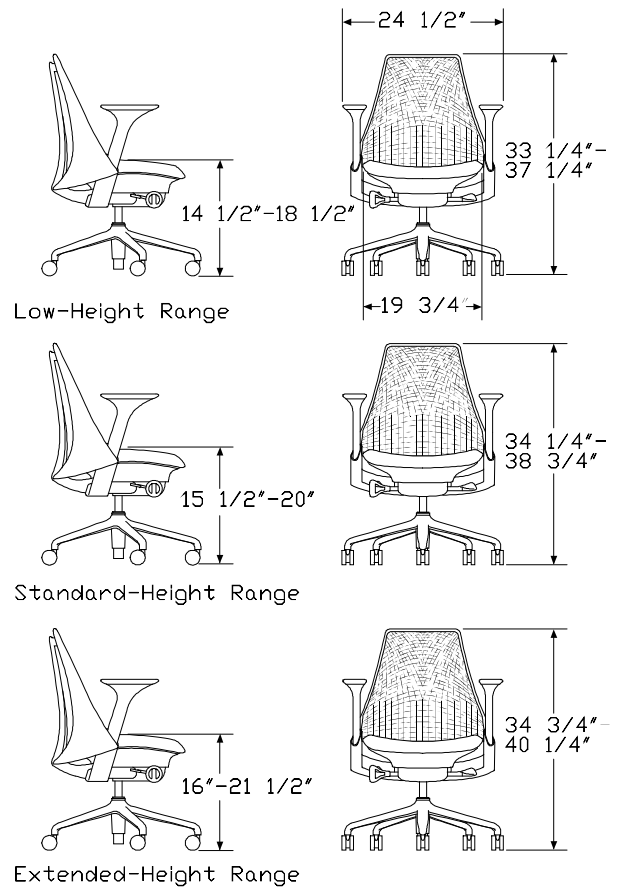
Chair is tested and warranted for use by persons 350 pounds and under.

Arm and tilt cover finish matches specified Y-Tower finish.

Arms can be removed in the field with no tools required.

For information on casters and glides, see Casters and Glides in Appendices.

Dimensions



Work Chair, Suspension Mid-Back, Ready to Assemble *continued*

Specification Information

Step 1.

AS2SA

Step 2. Height Adjustment

- 1** low-height range
- 2** standard-height range
- 3** extended-height range

Step 3. Tilt

- 2** tilt limiter
- 3** tilt limiter and seat angle

Step 4. Arms

- N** no arms
- P** fixed arms
- H** height-adjustable arms
- A** fully adjustable arms

Step 5. Seat-Depth Adjustment

- F** fixed seat depth
- A** adjustable seat depth

Step 6. Fire Retardancy

For not fire retardant (), skip this step.*

- FR** fire retardant

Prices for Steps 1-6.

		NF*	NFFR	NA*	NAFR	PF*	PFFR	PA*
AS2SA	1 2	\$542	607	592	657	602	667	652
	3	\$577	642	627	692	637	702	687
	2 2	\$542	607	592	657	602	667	652
	3	\$577	642	627	692	637	702	687
	3 2	\$582	647	632	697	642	707	692
	3	\$617	682	667	732	677	742	727
		PAFR	HF*	HFFR	HA*	HAFR	AF*	AFFR
AS2SA	1 2	\$717	650	715	700	765	702	767
	3	\$752	685	750	735	800	737	802
	2 2	\$717	650	715	700	765	702	767
	3	\$752	685	750	735	800	737	802
	3 2	\$757	690	755	740	805	742	807
	3	\$792	725	790	775	840	777	842

		AA*	AAFR
AS2SA	1 2	\$752	817
	3	\$787	852
	2 2	\$752	817
	3	\$787	852
	3 2	\$792	857
	3	\$827	892

Step 7. Back Support Option

- N2** no additional support +\$0
- AJ** adjustable lumbar support +\$40

Step 8. Base/Y-Tower™ Finish

- BK** black +\$0
- 65** fog with studio white Y-Tower™ +\$45
- 68** polished aluminum base with black Y-Tower™ +\$120
- 67** polished aluminum base with studio white Y-Tower™ +\$165

Step 9. Casters

- BB** 2½" hard caster, black yoke, carpet +\$0
- C7** 2½" caster, black yoke, hard floors or carpet +\$40

Step 10. Back Suspension Finish

- 5B** java +\$0
- 63** fog +\$0
- BK** black +\$0
- SG** slate grey +\$0
- 3M** berry blue +\$30
- 79** green apple +\$30
- 98** studio white +\$30
- RO** red +\$30
- 86** mist +\$80

Step 11. Armpad Finish

For fixed arms (P), height-adjustable arms (H), or fully adjustable arms (A)

- 5B** java +\$0
- 63** fog +\$0
- BK** black +\$0
- SG** slate grey +\$0
- 61** spruce +\$25
- 82** mulberry +\$25
- 97** twilight +\$25

Work Chair, Suspension Mid-Back, Ready to Assemble *continued*

Step 12. Seat Fabric

See application chart and textiles list for fabric usage and numbers. First 2 digits of number indicate fabric line; remaining digit(s) indicate fabric color.

For not fire retardant

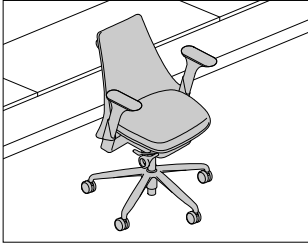
Price Category 1	+\$0
Price Category 2	+\$10
Price Category 3	+\$20
Price Category 4	+\$30

For fire retardant (FR)

Price Category 1	+\$0
Price Category 2	+\$10
Price Category 3	+\$20

Work Chair, Upholstered
Mid-Back, Value Package, Ready
to Assemble

AS2VC



SAYL® Work Chairs

Product Information

Description

This chair has a flexible narrow-top back supported by a Y-Tower™ that allows freedom of movement, an upholstered seat and back with foam padding, and passive Posturefit® back support. The synchronous tilt provides continuous balance and lets the body recline naturally, pivoting at the ankles, knees, and hips. The chair has a 5-star base and 3 height-adjustment options. The chair is all black, including the Y-Tower, arms, armpads, tilt cover, base, and black Crossover upholstery. Shipped knocked down and is ready to assemble with no tools required. Tilt options include a tilt limiter and tilt limiter with seat angle. The tilt limiter allows the user to set the tilt range to limit the amount of recline. The tilt limiter with seat angle allows the user to set the tilt range and select a 5° forward seat angle.

Seat options include a fixed 16" seat depth, or an adjustable seat depth that allows the user to adjust the depth from 16" to 18".

Back-support options include a standard option with no additional support, and an adjustable lumbar support option. The standard option has passive Posturefit back support, providing targeted support at the base of the back, below the beltline, that helps achieve healthier posture and improved lower back comfort. The adjustable lumbar support option adds a user-adjustable lumbar that adjusts 4" in height.

Arm choices include a no arm option; a fixed, non-adjustable option; a height adjustable option that allows the arms to move 4" vertically; and a fully adjustable option that allows the arms to move 4" vertically, 1 3/8" horizontally, 2" front-to-back, with armpads that pivot 11° inward and 11° outward.

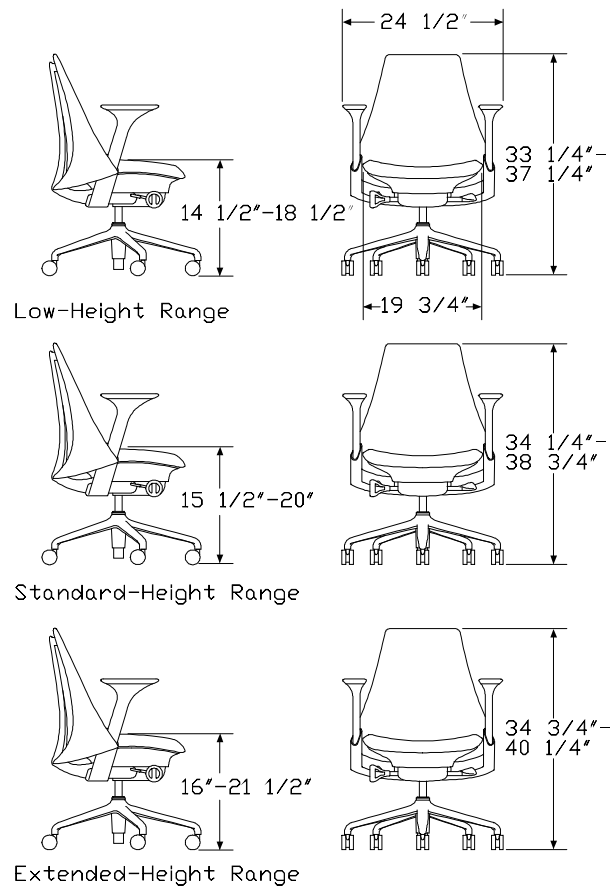
A fire-retardant chair meets CAL 133 requirements. The chair's upholstered seat and back assembly is manufactured with a fire-retardant additive.

Notes

Chair is tested and warranted for use by persons 350 pounds and under. Arms can be removed in the field with no tools required.

For information on casters and glides, see Casters and Glides in Appendices.

Dimensions



Work Chair, Upholstered Mid-Back, Value Package, Ready to Assemble *continued*

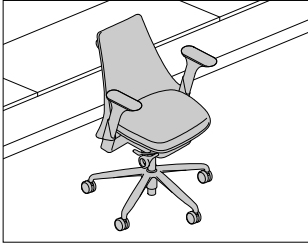
Specification Information	
Step 1.	
AS2VC	<input type="checkbox"/> A
Step 2. Height Adjustment	
1	low-height range <input type="checkbox"/> A
2	standard-height range <input type="checkbox"/> A
3	extended-height range <input type="checkbox"/> A
Step 3. Tilt	
2	tilt limiter <input type="checkbox"/> A
3	tilt limiter and seat angle <input type="checkbox"/> A
Step 4. Arms	
N	no arms <input type="checkbox"/> A
P	fixed arms <input type="checkbox"/> A
H	height-adjustable arms <input type="checkbox"/> A
A	fully adjustable arms <input type="checkbox"/> A
Step 5. Seat-Depth Adjustment	
F	fixed seat depth <input type="checkbox"/> A
A	adjustable seat depth <input type="checkbox"/> A
Step 6. Fire Retardancy	
<i>For not fire retardant (*), skip this step.</i>	
FR	fire retardant <input type="checkbox"/> A

Prices for Steps 1-6.									
			NF*	NFFR	NA*	NAFR	PF*	PFFR	PA*
AS2VC	1	2	\$537	602	587	652	597	662	647
		3	\$572	637	622	687	632	697	682
	2	2	\$537	602	587	652	597	662	647
		3	\$572	637	622	687	632	697	682
	3	2	\$577	642	627	692	637	702	687
		3	\$612	677	662	727	672	737	722
			PAFR	HF*	HFFR	HA*	HAFR	AF*	AFFR
AS2VC	1	2	\$712	645	710	695	760	697	762
		3	\$747	680	745	730	795	732	797
	2	2	\$712	645	710	695	760	697	762
		3	\$747	680	745	730	795	732	797
	3	2	\$752	685	750	735	800	737	802
		3	\$787	720	785	770	835	772	837

			AA*	AAFR
AS2VC	1	2	\$747	812
		3	\$782	847
	2	2	\$747	812
		3	\$782	847
	3	2	\$787	852
		3	\$822	887
Step 7. Back Support Option				
N2	no additional support <input type="checkbox"/> A			+\$0
AJ	adjustable lumbar support <input type="checkbox"/> A			+\$40
Step 8. Casters				
BB	2 1/2" hard caster, black yoke, carpet <input type="checkbox"/> A			+\$0
C7	2 1/2" caster, black yoke, hard floors or carpet <input type="checkbox"/> A			+\$40

Work Chair, Upholstered
Mid-Back, Ready to Assemble

AS2SC



SAYL® Work Chairs

Product Information

Description

This chair has a flexible narrow-top back supported by a Y-Tower™ that allows freedom of movement, an upholstered seat and back with foam padding, and passive Posturefit® back support. The synchronous tilt provides continuous balance and lets the body recline naturally, pivoting at the ankles, knees, and hips. The chair has a 5-star base and 3 height-adjustment options. Shipped knocked down and is ready to assemble with no tools required.

Tilt options include a tilt limiter and tilt limiter with seat angle. The tilt limiter allows the user to set the tilt range to limit the amount of recline. The tilt limiter with seat angle allows the user to set the tilt range and select a 5° forward seat angle.

Seat options include a fixed 16" seat depth, or an adjustable seat depth that allows the user to adjust the depth from 16" to 18".

Back-support options include a standard option with no additional support, and an adjustable lumbar support option. The standard option has passive Posturefit back support, providing targeted support at the base of the back, below the beltline, that helps achieve healthier posture and improved lower back comfort. The adjustable lumbar support option adds a user-adjustable lumbar that adjusts 4" in height.

Arm choices include a no arm option; a fixed, non-adjustable option; a height adjustable option that allows the arms to move 4" vertically; and a fully adjustable option that allows the arms to move 4" vertically, 1 3/8" horizontally, 2" front-to-back, with armpads that pivot 11° inward and 11° outward.

A fire-retardant chair meets CAL 133 requirements. The chair's upholstered seat and back assembly is manufactured with a fire-retardant additive.

Notes

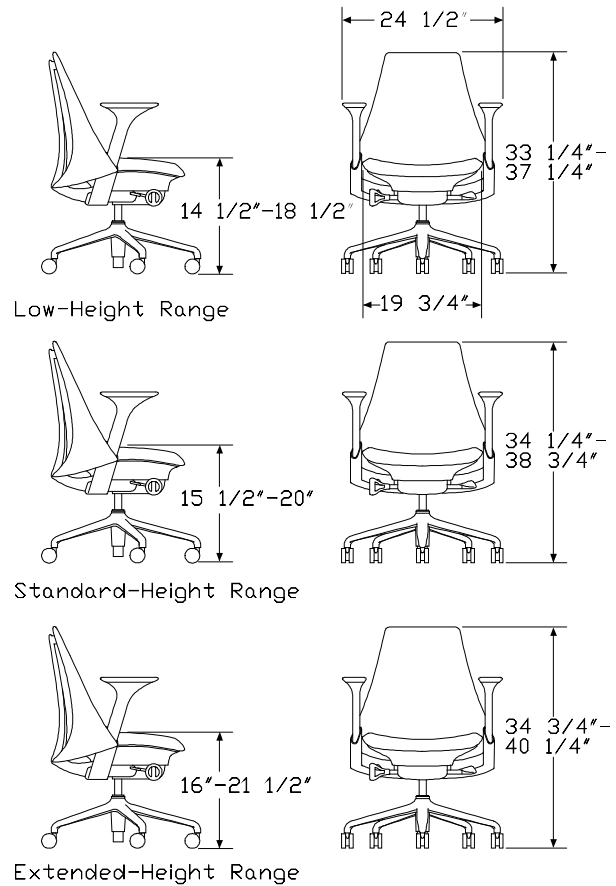
Chair is tested and warranted for use by persons 350 pounds and under.

Arm and tilt cover finish matches specified Y-Tower finish.

Arms can be removed in the field with no tools required.

For information on casters and glides, see Casters and Glides in Appendices.

Dimensions



Work Chair, Upholstered Mid-Back, Ready to Assemble *continued*

Specification Information

Step 1.

AS2SC

Step 2. Height Adjustment

- 1** low-height range
- 2** standard-height range
- 3** extended-height range

Step 3. Tilt

- 2** tilt limiter
- 3** tilt limiter and seat angle

Step 4. Arms

- N** no arms
- P** fixed arms
- H** height-adjustable arms
- A** fully adjustable arms

Step 5. Seat-Depth Adjustment

- F** fixed seat depth
- A** adjustable seat depth

Step 6. Fire Retardancy

For not fire retardant (), skip this step.*

- FR** fire retardant

Prices for Steps 1-6.

			NF*	NFFR	NA*	NAFR	PF*	PFFR	PA*
AS2SC	1	2	\$562	627	612	677	622	687	672
		3	\$597	662	647	712	657	772	707
	2	2	\$562	627	612	677	622	687	672
3		\$597	662	647	712	657	722	707	
3	2	\$602	667	652	717	662	727	712	
	3	\$637	702	687	752	697	762	747	
			PAFR	HF*	HFFR	HA*	HAFR	AF*	AFFR
AS2SC	1	2	\$737	670	735	720	785	722	787
		3	\$772	705	770	755	820	757	822
	2	2	\$737	670	735	720	785	722	787
3		\$772	705	770	755	820	757	822	
3	2	\$777	710	775	760	825	762	827	
	3	\$812	745	810	795	860	797	862	

			AA*	AAFR
AS2SC	1	2	\$772	837
		3	\$807	872
	2	2	\$772	837
3		\$807	872	
3	2	\$812	877	
	3	\$847	912	

Step 7. Back Support Option

- N2** no additional support +\$0
- AJ** adjustable lumbar support +\$40

Step 8. Base/Y-Tower™ Finish

- BK** black +\$0
- 65** fog with studio white Y-Tower™ +\$45
- 68** polished aluminum base with black Y-Tower™ +\$120
- 67** polished aluminum base with studio white Y-Tower™ +\$165

Step 9. Casters

- BB** 2½" hard caster, black yoke, carpet +\$0
- C7** 2½" caster, black yoke, hard floors or carpet +\$40

Step 10. Armpad Finish

For fixed arms (P), height-adjustable arms (H), or fully adjustable arms (A)

- 5B** java +\$0
- 63** fog +\$0
- BK** black +\$0
- SG** slate grey +\$0
- 61** spruce +\$25
- 82** mulberry +\$25
- 97** twilight +\$25

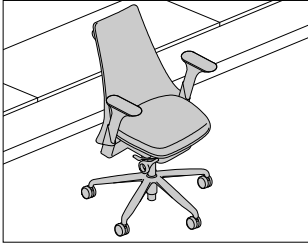
Step 11. Seat/Back Fabric

See application chart and textiles list for fabric usage and numbers. First 2 digits of number indicate fabric line; remaining digit(s) indicate fabric color.

- Price Category 1 +\$0
- Price Category 2 +\$20
- Price Category 3 +\$45

Work Chair, Upholstered High Back, Value Package, Ready to Assemble

AS2VD



SAYL® Work Chairs

Product Information

Description

This chair has a flexible narrow-top back supported by a Y-Tower™ that allows freedom of movement, an upholstered seat and back with foam padding, and passive Posturefit® back support. The synchronous tilt provides continuous balance and lets the body recline naturally, pivoting at the ankles, knees, and hips. The chair has a 5-star base and 3 height-adjustment options. The chair is all black, including the Y-Tower, arms, armpads, tilt cover, base, and black Crossover upholstery. Shipped knocked down and is ready to assemble with no tools required. Tilt options include a tilt limiter and tilt limiter with seat angle. The tilt limiter allows the user to set the tilt range to limit the amount of recline. The tilt limiter with seat angle allows the user to set the tilt range and select a 5° forward seat angle.

Seat options include a fixed 16" seat depth, or an adjustable seat depth that allows the user to adjust the depth from 16" to 18".

Back-support options include a standard option with no additional support, and an adjustable lumbar support option. The standard option has passive Posturefit back support, providing targeted support at the base of the back, below the beltline, that helps achieve healthier posture and improved lower back comfort. The adjustable lumbar support option adds a user-adjustable lumbar that adjusts 4" in height.

Arm choices include a no arm option; a fixed, non-adjustable option; a height adjustable option that allows the arms to move 4" vertically; and a fully adjustable option that allows the arms to move 4" vertically, 1³/₈" horizontally, 2" front-to-back, with armpads that pivot 11° inward and 11° outward.

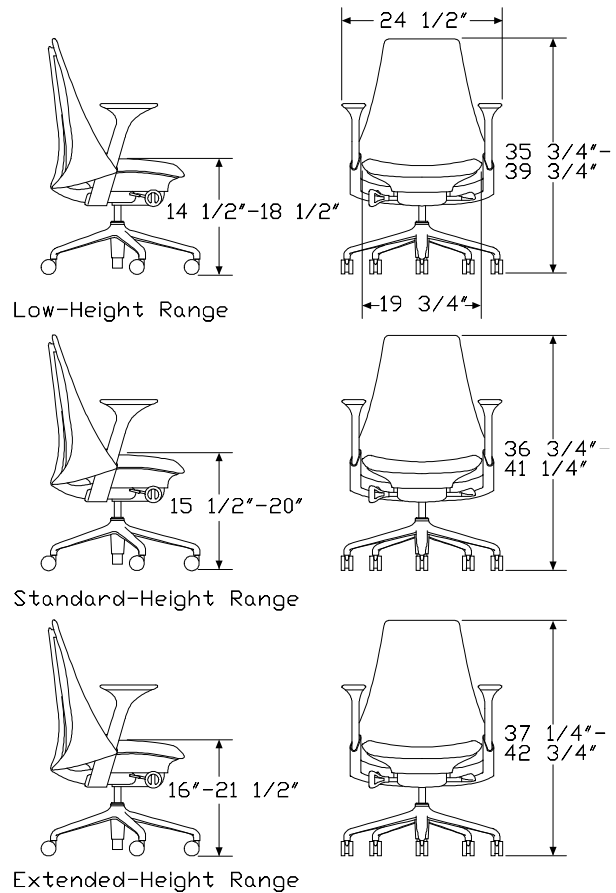
A fire-retardant chair meets CAL 133 requirements. The chair's upholstered seat and back assembly is manufactured with a fire-retardant additive.

Notes

Chair is tested and warranted for use by persons 350 pounds and under. Arms can be removed in the field with no tools required.

For information on casters and glides, see Casters and Glides in Appendices.

Dimensions



Work Chair, Upholstered High Back, Value Package, Ready to Assemble *continued*

Specification Information

Step 1.

AS2VD

Step 2. Height Adjustment

- 1** low-height range
- 2** standard-height range
- 3** extended-height range

Step 3. Tilt

- 2** tilt limiter
- 3** tilt limiter and seat angle

Step 4. Arms

- N** no arms
- P** fixed arms
- H** height-adjustable arms
- A** fully adjustable arms

Step 5. Seat-Depth Adjustment

- F** fixed seat depth
- A** adjustable seat depth

Step 6. Fire Retardancy

For not fire retardant (), skip this step.*

- FR** fire retardant

Prices for Steps 1-6.

			NF*	NFFR	NA*	NAFR	PF*	PFFR	PA*
AS2VD	1	2	\$607	677	657	727	667	737	717
		3	\$642	712	692	762	702	772	752
	2	2	\$607	677	657	727	667	737	717
		3	\$642	712	692	762	702	772	752
	3	2	\$647	717	697	767	707	777	757
		3	\$682	752	732	802	742	812	792
			PAFR	HF*	HFFR	HA*	HAFR	AF*	AFFR
AS2VD	1	2	\$787	715	785	765	835	767	837
		3	\$822	750	820	800	870	802	872
	2	2	\$787	715	785	765	835	767	837
		3	\$822	750	820	800	870	802	872
	3	2	\$827	755	825	805	875	807	877
		3	\$862	790	860	840	910	842	912

			AA*	AAFR
AS2VD	1	2	\$817	887
		3	\$852	922
	2	2	\$817	887
		3	\$852	922
	3	2	\$857	927
		3	\$892	962

Step 7. Back Support Option

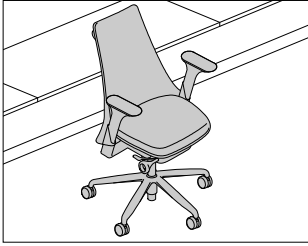
- N2** no additional support +\$0
- AJ** adjustable lumbar support +\$40

Step 8. Casters

- BB** 2 1/2" hard caster, black yoke, carpet +\$0
- C7** 2 1/2" caster, black yoke, hard floors or carpet +\$40

Work Chair, Upholstered High Back, Ready to Assemble

AS2SD



SAYL® Work Chairs

Product Information

Description

This chair has a flexible narrow-top back supported by a Y-Tower™ that allows freedom of movement, an upholstered seat and back with foam padding, and passive Posturefit® back support. The synchronous tilt provides continuous balance and lets the body recline naturally, pivoting at the ankles, knees, and hips. The chair has a 5-star base and 3 height-adjustment options. Shipped knocked down and is ready to assemble with no tools required.

Tilt options include a tilt limiter and tilt limiter with seat angle. The tilt limiter allows the user to set the tilt range to limit the amount of recline. The tilt limiter with seat angle allows the user to set the tilt range and select a 5° forward seat angle.

Seat options include a fixed 16" seat depth, or an adjustable seat depth that allows the user to adjust the depth from 16" to 18".

Back-support options include a standard option with no additional support, and an adjustable lumbar support option. The standard option has passive Posturefit back support, providing targeted support at the base of the back, below the beltline, that helps achieve healthier posture and improved lower back comfort. The adjustable lumbar support option adds a user-adjustable lumbar that adjusts 4" in height.

Arm choices include a no arm option; a fixed, non-adjustable option; a height adjustable option that allows the arms to move 4" vertically; and a fully adjustable option that allows the arms to move 4" vertically, 1 3/8" horizontally, 2" front-to-back, with armpads that pivot 11° inward and 11° outward.

A fire-retardant chair meets CAL 133 requirements. The chair's upholstered seat and back assembly is manufactured with a fire-retardant additive.

Notes

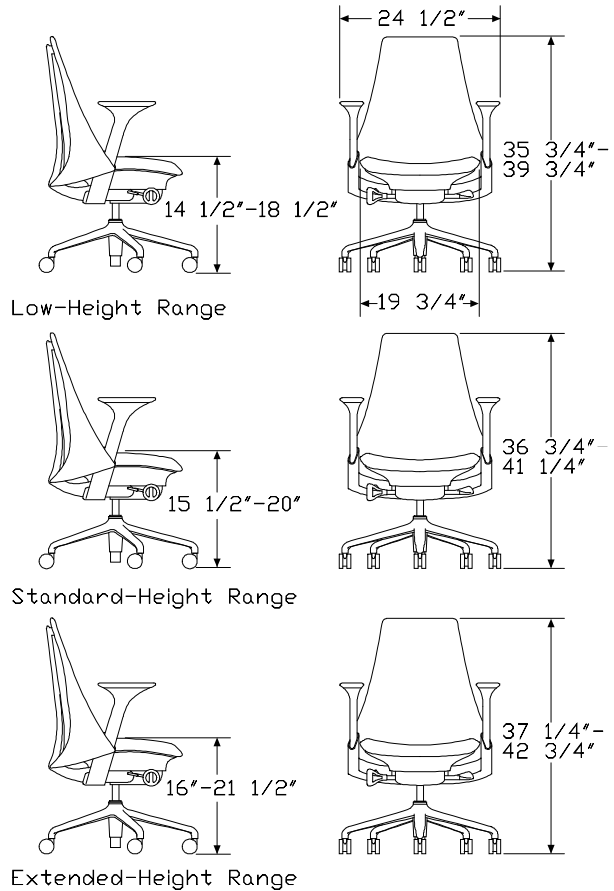
Chair is tested and warranted for use by persons 350 pounds and under.

Arm and tilt cover finish matches specified Y-Tower finish.

Arms can be removed in the field with no tools required.

For information on casters and glides, see Casters and Glides in Appendices.

Dimensions



Work Chair, Upholstered High Back, Ready to Assemble *continued*

Specification Information

Step 1.

AS2SD

Step 2. Height Adjustment

- 1** low-height range
- 2** standard-height range
- 3** extended-height range

Step 3. Tilt

- 2** tilt limiter
- 3** tilt limiter and seat angle

Step 4. Arms

- N** no arms
- P** fixed arms
- H** height-adjustable arms
- A** fully adjustable arms

Step 5. Seat-Depth Adjustment

- F** fixed seat depth
- A** adjustable seat depth

Step 6. Fire Retardancy

For not fire retardant (), skip this step.*

- FR** fire retardant

Prices for Steps 1-6.

		NF*	NFFR	NA*	NAFR	PF*	PFFR	PA*
AS2SD	1 2	\$632	702	682	752	692	762	742
	3	\$667	737	717	787	727	797	777
	2 2	\$632	702	682	752	692	762	742
	3	\$667	737	717	787	727	797	777
	3 2	\$672	742	722	792	732	802	782
	3	\$707	777	757	827	767	837	817
		PAFR	HF*	HFFR	HA*	HAFR	AF*	AFFR
AS2SD	1 2	\$812	740	810	790	860	792	862
	3	\$847	775	845	825	895	827	897
	2 2	\$812	740	810	790	860	792	862
	3	\$847	775	845	825	895	827	897
	3 2	\$852	780	850	830	900	832	902
	3	\$887	815	885	865	935	867	937

		AA*	AAFR
AS2SD	1 2	\$842	912
	3	\$877	947
	2 2	\$842	912
	3	\$877	947
	3 2	\$882	952
	3	\$917	987

Step 7. Back Support Option

- N2** no additional support +\$0
- AJ** adjustable lumbar support +\$40

Step 8. Base/Y-Tower™ Finish

- BK** black +\$0
- 65** fog with studio white Y-Tower™ +\$45
- 68** polished aluminum base with black Y-Tower™ +\$120
- 67** polished aluminum base with studio white Y-Tower™ +\$165

Step 9. Casters

- BB** 2½" hard caster, black yoke, carpet +\$0
- C7** 2½" caster, black yoke, hard floors or carpet +\$40

Step 10. Armpad Finish

For fixed arms (P), height-adjustable arms (H), or fully adjustable arms (A)

- 5B** java +\$0
- 63** fog +\$0
- BK** black +\$0
- SG** slate grey +\$0
- 61** spruce +\$25
- 82** mulberry +\$25
- 97** twilight +\$25

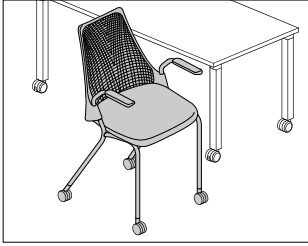
Step 11. Seat/Back Fabric

See application chart and textiles list for fabric usage and numbers. First 2 digits of number indicate fabric line; remaining digit(s) indicate fabric color.

- Price Category 1 +\$0
- Price Category 2 +\$20
- Price Category 3 +\$45

Side Chair, 4-Leg Base, Value Package

AS4VP
AS4VS
AS4VU



SAYL® Side Chairs

Product Information

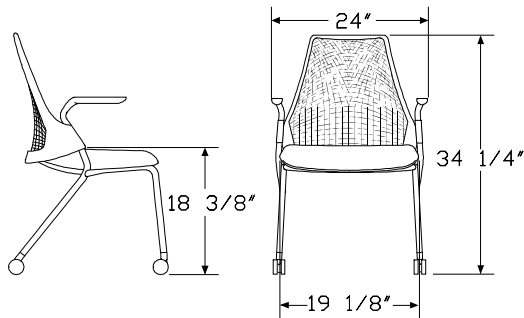
Description

This side chair has a 4-leg base with glides or casters. It has an upholstered seat with foam padding and is available with a plastic, upholstered, or suspension back. It is available with or without arms. The chair is all black, including the arms, legs, back, and black Crossover upholstery. All styles of this chair can be stacked up to 4-chairs high on the floor.

Notes

Chair is tested and warranted for use by persons 300 pounds and under. For information on casters and glides, see Casters and Glides in Appendices.

Dimensions



Specification Information

Step 1.

AS4V A

Step 2. Back Style

- P** plastic back A
- S** suspension back A
- U** upholstered back A

Step 3. Arms

- N** no arms A
- P** fixed arms A

Prices for Steps 1-3.

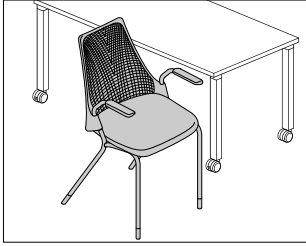
AS4VP	N	\$342
	P	\$372
AS4VS	N	\$362
	P	\$392
AS4VU	N	\$382
	P	\$412

Step 4. Casters/Glides

16	acetal glide, carpet only <input type="checkbox"/> A	+\$0
69	Floor Saver Glide®, hard floors only <input type="checkbox"/> A	+\$20
32	hard wheel caster, carpet only <input type="checkbox"/> A	+\$50
49	soft wheel caster, carpet or hard floors <input type="checkbox"/> A	+\$50

Side Chair, 4-Leg Base

AS4SP
AS4SS
AS4SU



Product Information

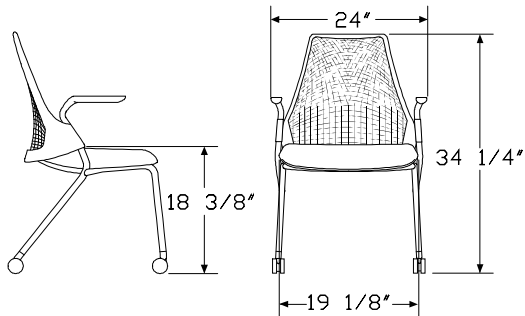
Description

This side chair has a 4-leg base with glides or casters. It has an upholstered seat with foam padding and is available with a plastic, upholstered, or suspension back. It is available with or without arms. All styles of this chair can be stacked up to 4-chairs high on the floor.

Notes

Chair is tested and warranted for use by persons 300 pounds and under. For information on casters and glides, see Casters and Glides in Appendices.

Dimensions



Specification Information

Step 1.

AS4S

Step 2. Back Style

P plastic back

S suspension back

U upholstered back

Step 3. Arms

N no arms

P fixed arms

Prices for Steps 1-3.

AS4SP N	\$357
P	\$387

AS4SS N	\$377
P	\$407

AS4SU N	\$397
P	\$427

Step 4. Casters/Glides

16 acetal glide, carpet only +\$0

69 Floor Saver Glide®, hard floors only +\$20

32 hard wheel caster, carpet only +\$50

49 soft wheel caster, carpet or hard floors +\$50

Step 5. Leg Finish

BK black +\$0

98 studio white +\$20

MS metallic silver +\$20

47 trivalent chrome +\$165

Step 6. Back/Back Edge Finish

For plastic back (P)

5B java +\$0

63 fog +\$0

BK black +\$0

SG slate grey +\$0

3M berry blue +\$15

79 green apple +\$15

98 studio white +\$15

RO red +\$15

Side Chair, 4-Leg Base *continued*

For suspension back (S) or upholstered back (U)

5B	java <input type="checkbox"/>	+\$0
61	spruce <input type="checkbox"/>	+\$0
63	fog <input type="checkbox"/>	+\$0
82	mulberry <input type="checkbox"/>	+\$0
97	twilight <input type="checkbox"/>	+\$0
98	studio white <input type="checkbox"/>	+\$0
BK	black <input type="checkbox"/>	+\$0
SG	slate grey <input type="checkbox"/>	+\$0

Step 7. Back Suspension Finish

For suspension back (S)

5B	java <input type="checkbox"/>	+\$0
63	fog <input type="checkbox"/>	+\$0
BK	black <input type="checkbox"/>	+\$0
SG	slate grey <input type="checkbox"/>	+\$0
3M	berry blue <input type="checkbox"/>	+\$30
79	green apple <input type="checkbox"/>	+\$30
98	studio white <input type="checkbox"/>	+\$30
RO	red <input type="checkbox"/>	+\$30
86	mist <input type="checkbox"/>	+\$80

Step 8. Arm/Glide Finish

63	fog <input type="checkbox"/>	+\$0
BK	black <input type="checkbox"/>	+\$0

Step 9. Seat Fabric

See application chart and textiles list for fabric usage and numbers. First 2 digits of number indicate fabric line; remaining digit(s) indicate fabric color.

Price Category 1	+\$0
Price Category 2	+\$10
Price Category 3	+\$20
Price Category 4	+\$30

Step 10. Back Fabric

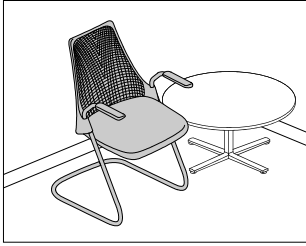
For upholstered back (U)

See application chart and textiles list for fabric usage and numbers. First 2 digits of number indicate fabric line; remaining digit(s) indicate fabric color.

Price Category 1	+\$0
Price Category 2	+\$10
Price Category 3	+\$25
Price Category 4	+\$40

Side Chair, Sled Base, Value Package

AS5VP
AS5VS
AS5VU



Product Information

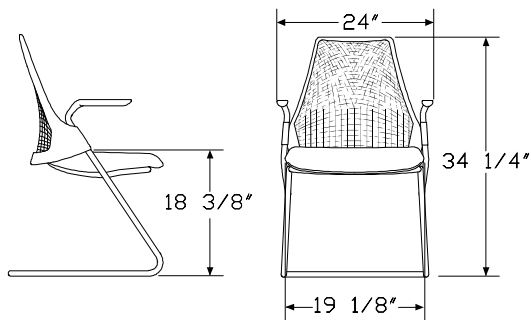
Description

This side chair has a sled base with or without glides, an upholstered seat with foam padding, and is available with a plastic, upholstered, or suspension back. It is available with or without arms. The chair is all black, including the arms, legs, back, and black Crossover upholstery.

Notes

Chair is tested and warranted for use by persons 300 pounds and under. For chair used on carpet, no glide (NG) or nylon glide, hard floor or carpet (XS) option is recommended. For chair used on hard floors, nylon glide, hard floor or carpet (XS) option is recommended. For information on glides, see Casters and Glides in Appendices.

Dimensions



Specification Information

Step 1.

AS5V A

Step 2. Back Style

P plastic back A

S suspension back A

U upholstered back A

Step 3. Arms

N no arms A

P fixed arms A

Prices for Steps 1-3.

AS5VP N	\$415
P	\$445

AS5VS N	\$435
P	\$465

AS5VU N	\$455
P	\$485

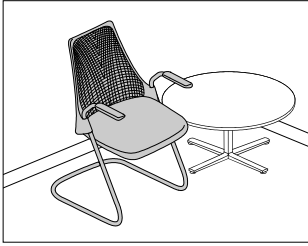
Step 4. Glides

NG no glide, carpet only A +\$0

XS nylon glide, hard floors or carpet A +\$20

Side Chair, Sled Base

AS5SP
AS5SS
AS5SU



SAYL® Side Chairs

Product Information

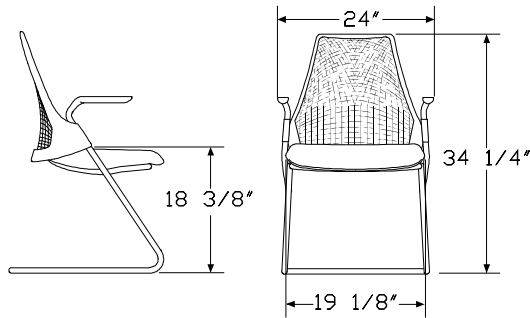
Description

This side chair has a sled base with or without glides, an upholstered seat with foam padding, and is available with a plastic, upholstered, or suspension back. It is available with or without arms.

Notes

Chair is tested and warranted for use by persons 300 pounds and under. For chair used on carpet, no glide (NG) or nylon glide, hard floor or carpet (XS) option is recommended. For chair used on hard floors, nylon glide, hard floor or carpet (XS) option is recommended. For information on glides, see Casters and Glides in Appendices.

Dimensions



Specification Information

Step 1.

AS5S

Step 2. Back Style

P plastic back

S suspension back

U upholstered back

Step 3. Arms

N no arms

P fixed arms

Prices for Steps 1-3.

AS5SP N	\$430
P	\$460

AS5SS N	\$450
P	\$480

AS5SU N	\$470
P	\$500

Step 4. Glides

NG no glide, carpet only +\$0

XS nylon glide, hard floors or carpet +\$20

Step 5. Base Finish

BK black +\$0

98 studio white +\$20

MS metallic silver +\$20

47 trivalent chrome +\$165

Step 6.

Back Finish

For plastic back (P)

5B java +\$0

63 fog +\$0

BK black +\$0

SG slate grey +\$0

3M berry blue +\$15

79 green apple +\$15

98 studio white +\$15

RO red +\$15

Back Edge Finish

For suspension back (S) or upholstered back (U)

5B	java <input type="checkbox"/>	+\$0
61	spruce <input type="checkbox"/>	+\$0
63	fog <input type="checkbox"/>	+\$0
82	mulberry <input type="checkbox"/>	+\$0
97	twilight <input type="checkbox"/>	+\$0
98	studio white <input type="checkbox"/>	+\$0
BK	black <input type="checkbox"/>	+\$0
SG	slate grey <input type="checkbox"/>	+\$0

Step 7. Back Suspension Finish

For suspension back (S)

5B	java <input type="checkbox"/>	+\$0
63	fog <input type="checkbox"/>	+\$0
BK	black <input type="checkbox"/>	+\$0
SG	slate grey <input type="checkbox"/>	+\$0
3M	berry blue <input type="checkbox"/>	+\$30
79	green apple <input type="checkbox"/>	+\$30
98	studio white <input type="checkbox"/>	+\$30
RO	red <input type="checkbox"/>	+\$30
86	mist <input type="checkbox"/>	+\$80

Step 8. Arm Finish

For fixed arms (P)

63	fog <input type="checkbox"/>	+\$0
BK	black <input type="checkbox"/>	+\$0

Step 9. Seat Fabric

See application chart and textiles list for fabric usage and numbers. First 2 digits of number indicate fabric line; remaining digit(s) indicate fabric color.

Price Category 1	+\$0
Price Category 2	+\$10
Price Category 3	+\$20
Price Category 4	+\$30

Step 10. Back Fabric

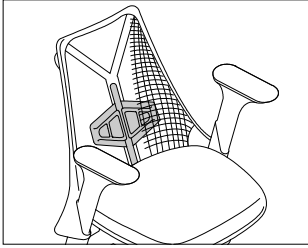
For upholstered back (U)

See application chart and textiles list for fabric usage and numbers. First 2 digits of number indicate fabric line; remaining digit(s) indicate fabric color.

Price Category 1	+\$0
Price Category 2	+\$10
Price Category 3	+\$25
Price Category 4	+\$40

Lumbar Kit

AS905



Product Information

Description
This height-adjustable lumbar support fits into the back of a SAYL work chair with a suspension back and adjusts 4" in height.

Notes
Match lumbar finish with chair's Y-tower finish.

Specification Information

Step 1.
AS905 **A** \$44

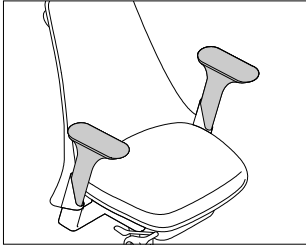
Step 2. Lumbar Finish

98	studio white	<input type="checkbox"/> A	+\$0
BK	black	<input type="checkbox"/> A	+\$0

SAYL® Accessories

Arm Kit

AS900



Product Information

Description

These arms retrofit to a SAYL work chair. Arm choices include a height adjustable option that allows the arms to move 4" vertically and a fully adjustable option that allows the arms to move 4" vertically, 1³/₈" horizontally, 2" front-to-back, with armpads that pivot 11° inward and 11° outward.

Specification Information

Step 1.

AS900

Step 2. Arms

A fully adjustable arms

H height-adjustable arms

Prices for Steps 1-2.

AS900 A	\$160
H	\$108

Step 3. Arm Finish

98 studio white +\$0

BK black +\$0

Step 4. Armpad Finish

5B java +\$0

63 fog +\$0

BK black +\$0

SG slate grey +\$0

61 spruce +\$25

82 mulberry +\$25

97 twilight +\$25

Index by Product Name

SAYL® Chairs	
Arm Kit	page(s) 25
Lumbar Kit	24
Side Chair, 4-Leg Base	19
Side Chair, 4-Leg Base, Value Package	18
Side Chair, Sled Base	22
Side Chair, Sled Base, Value Package	21
Work Chair, Suspension Mid-Back, Ready to Assemble	7
Work Chair, Suspension Mid-Back, Value Package, Ready to Assemble	5
Work Chair, Upholstered High Back, Ready to Assemble	16
Work Chair, Upholstered High Back, Value Package, Ready to Assemble	14
Work Chair, Upholstered Mid-Back, Ready to Assemble	12
Work Chair, Upholstered Mid-Back, Value Package, Ready to Assemble	10



Index by Product Number

AS2SA	Work Chair, Suspension Mid-Back, Ready to Assemble	page(s) 7
AS2SC	Work Chair, Upholstered Mid-Back, Ready to Assemble	12
AS2SD	Work Chair, Upholstered High Back, Ready to Assemble	16
AS2VA	Work Chair, Suspension Mid-Back, Value Package, Ready to Assemble	5
AS2VC	Work Chair, Upholstered Mid-Back, Value Package, Ready to Assemble	10
AS2VD	Work Chair, Upholstered High Back, Value Package, Ready to Assemble	14
AS4SP	Side Chair, 4-Leg Base	19
AS4SS		
AS4SU		
AS4VP	Side Chair, 4-Leg Base, Value Package	18
AS4VS		
AS4VU		
AS5SP	Side Chair, Sled Base	22
AS5SS		
AS5SU		
AS5VP	Side Chair, Sled Base, Value Package	21
AS5VS		
AS5VU		
AS900	Arm Kit	25
AS905	Lumbar Kit	24

For more information about our products and services or to see a list of dealers, please visit us at HermanMiller.com or call (800) 851 1196.

This book is recyclable. Printed in U.S.A. on recycled paper.

© 2011 Herman Miller, Inc., Zeeland, Michigan

® **HermanMiller**, ●, Abak, AO, Action Office, Aeron, Ambi, Ardea, Aside, Avall, Avive, Babble, C2, Caper, Celle, Co/Struc, DOT, Eames, Embody, Envelop, Equa 2, Ergon 3, Ethospace, Fine-Tune, FlexFront, Formcoat, Ground Cloth, Herman Miller Healthcare, Herman Miller Options, Intersect, Kinemat, Leaf, Lifework, Limerick, Meridian, Mirra, Passage, Pellicle, Perspectives, PostureFit, Prospects, Quadrant, Reaction, Resolve, RoomTune, Scooter, Setu, Stoa, Teneo, Vary Easy, Vivo, and Z-Axis are among the registered trademarks of Herman Miller, Inc., and its owned subsidiaries.

™ 3D Intelligent, About Face, Advo, AireWeave, Airia, ArcSpan, Arrio, Backfit, Boomerang, Bubbletack, Burdick Group, Canvas Office Landscape, Celeste, Cellular Suspension, Clam, CLT, CoActive, Cognita, Compass, Cygnus, daisyone, EcoDematerialized, Enchord, EnhancedAccess, Everywhere, E-Wall, Flex-Edge, Flo, Flute, Harmonic, Herman Miller for the Home, Herman Miller International Collection, Herman Miller Select, Hopsak 2, Intent, Iota, JAW, Keyless Entry, Lapjack, Latitude, Live Unframed, LOOP, Lyris, Multiscrim, My Studio Environments, Nala, Nelson, Pedastool, Pixelated Support, Programmable Environments, Q, Rapunzel, Recline Selector, SAYL, Sense, Stackable, Stackable Storage, Swoop, TaskPointe, The Be Collection, Thinking is good for you, TriFlex, Tu, Twist, V-Wall, Wishbone, and Y-Tower are among the trademarks of Herman Miller, Inc., and its owned subsidiaries.

SM S3, TAP, Textile Alliance Program, Thoughtpile, and Thrive are among the service marks of Herman Miller, Inc.

Chemsurf® is a registered trademark of Wilsonart International.

Corian® is a registered trademark of DuPont.

FLEXNET™ is a trademark of Milliken & Company.

Floor Saver Glide® is a registered trademark of Carpin Manufacturing, Inc.

Geiger® is a registered trademark of Geiger International.

Goetz™ is a trademark of Mark W. Goetz.

Hang-It-All® is a registered trademark of Lucia Eames Demetrios, d.b.a. Eames Office.

Holophane® is a registered trademark of Holophane.

Ingeo™ is a trademark of Cargill Dow LLC.

LifeSize® is a registered trademark of LifeSize Communications, Inc.

Microsoft® and Natural® Keyboard are registered trademarks of Microsoft Corporation.

Noguchi® is a registered trademark of The Isamu Noguchi Foundation and Garden Museum.

Qt Quiet technology™ and Qt™ are trademarks of Cambridge Sound Management, Inc.