



GENERAL NOTES:

STANDARD TRACK LENGTHS ARE 48", 60", 72", 84", AND 96".

RULE OF THUMB FOR CHOOSING TRACK:
2 X DOOR WIDTH = MINIMUM TRACK LENGTH

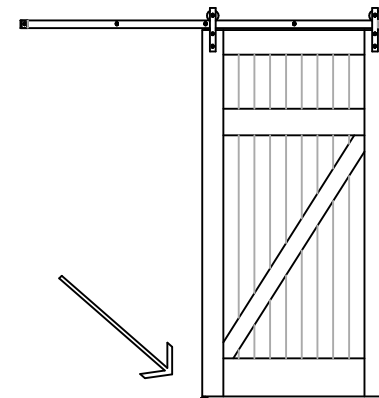
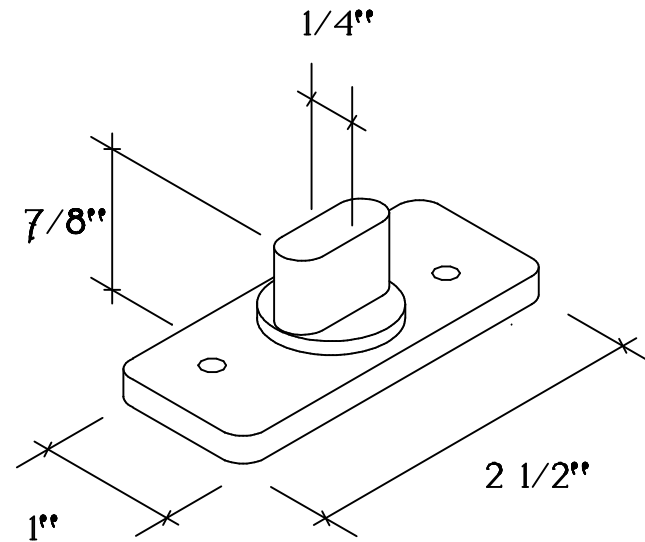
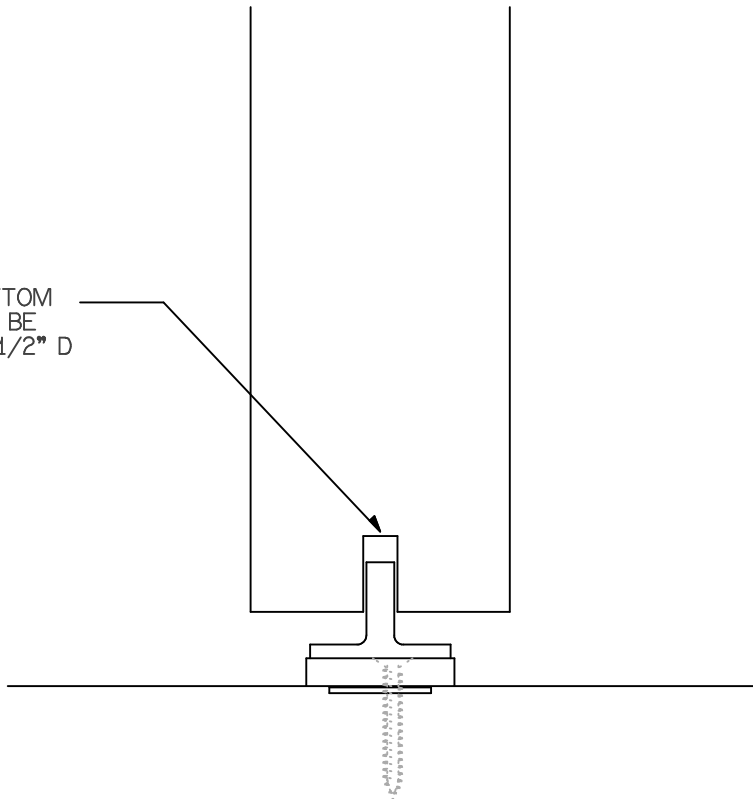
version 1

FOR ATTACHMENT TO MASONRY WALLS, OMIT THREADED WALL ANCHOR. A MASONRY ANCHOR MUST BE USED INSTEAD (NOT INCLUDED)

CUSTOM FABRICATION IS POSSIBLE. CALL 800-694-5977 FOR INQUIRIES

1. PARTS LIST	2. WALL REINFORCING	3. PREPARATION
<p>A) STAINLESS STEEL TRACK (1) B) SS WHEEL HANGERS (2) C) STANDOFF PLATE (QTY VARIES) D) STANDOFF (QTY VARIES) E) HANGER WOOD SCREW (4) F) WALL MACHINE SCREW (QTY VARIES) G) THREADED WALL ANCHOR (QTY VARIES) H) WALL ANCHOR DRIVER (1) I) BUMPER END STOP (2) J) T-GUIDE (1) K) DOWEL SPLICE (MULTI TRACK RUNS ONLY)</p>	<p>1) SOLID BLOCKING IN WALL OR 2) EXTENDED HEAD CASING</p>	<p>1) MARK LEVEL LINE AT DOOR HEAD DOOR HEIGHT PLUS 1-3/4" 2) SLOT DOOR BOTTOM FOR T-GUIDE (5/16" X 1/2" DEEP, TYPICAL)</p>
4. WALL PREPARATION	5. TRACK MOUNTING	6. T-GUIDE PLACEMENT
<p>ATTACHING HANGER 2 1/2" BUMPER STOP LOCATION SPlicing TRACK LENGTHS</p>	<p>1/2" DIA 4 5/16" DOOR HEIGHT AND ANTI-JUMP MAY BE MICRO-ADJUSTED BY LOOSENING AND RE-SECURING THE HEX MACHINE SET SCREWS</p>	<p>1) DOOR SHOULD OVERLAP ITS OWN TRAVEL BY 1" 2) PLACE T-GUIDE ON FLOOR AT CENTERLINE OF DOOR</p>

SIZE BOTTOM
SLOT TO BE
5/16" X 1/2" D



DOOR IN
CLOSED
POSITION



Real Carriage
Door Company
9803 44th AVE NW
GIG HARBOR, WA 98332

NYLON BLADE SWIVEL T-GUIDE

DESCRIPTION/NOTES:

THIS PRINT IS THE PROPERTY OF REAL CARRIAGE
DOOR COMPANY, INC. AND IS LOANED TO THE
RECIPIENT SUBJECT TO RETURN UPON DEMAND.
ALL CONTENTS HEREIN ARE CONFIDENTIAL AND
MUST NOT BE COPIED OR SUBMITTED TO OUTSIDE
PARTIES FOR EXAMINATION WITHOUT THE
EXPRESS WRITTEN CONSENT OF REAL CARRIAGE
DOOR COMPANY, INC.

DRWG NO:

DATE:
11/2010