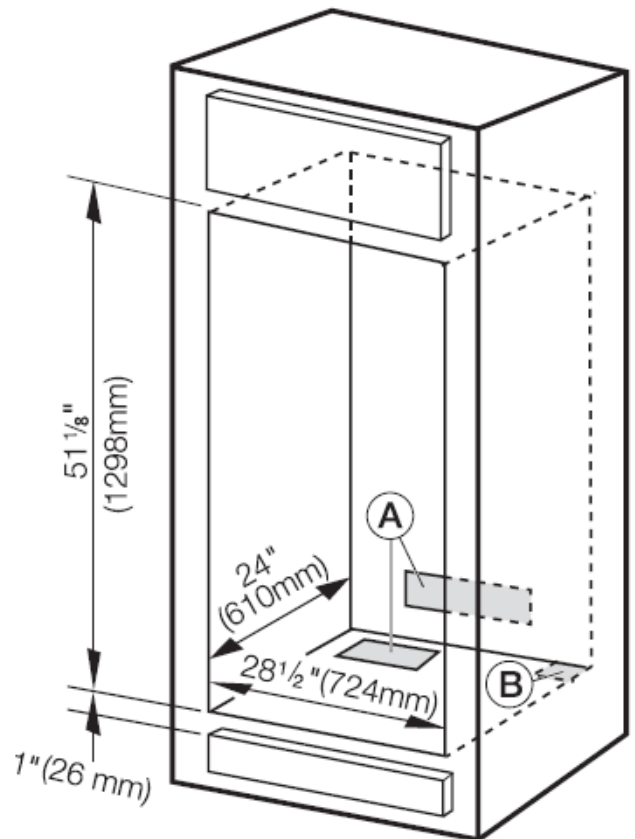
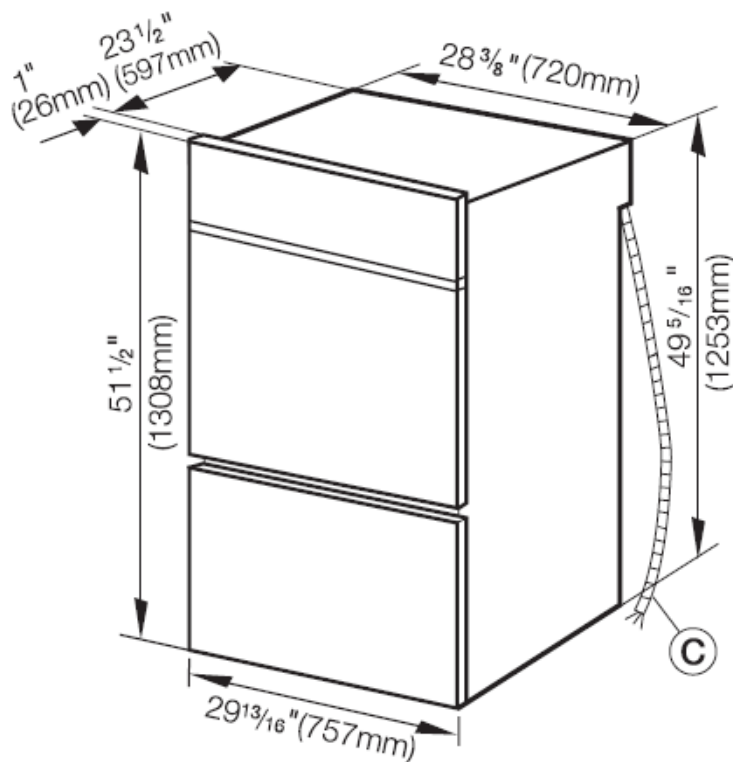


Product and Cut-out Dimensions 30" Double Oven H 4894 BP2

A - Vent cut-out (min. 24" ² / 150 cm ²) possible at rear or platform of cabinet



Location Codes

- B - Cut-out for power cord (min. 1" ² / 3 cm ²)
- C - 6 foot (1.8 meter) electrical main with pigtail connects upper rear right side
208 - 240 Volt - 40 Amp dedicated connection box with 4 wires (2 lives / N / ground) Location must be accessible

Notes

All installations must be done in accordance with local codes.

Note: Drawing is not to scale

Specification Sheets OJS 09262011