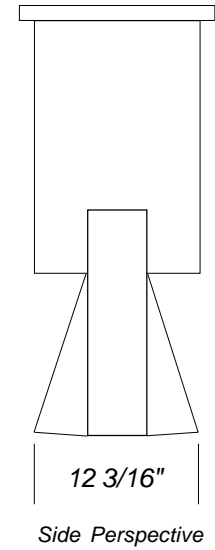
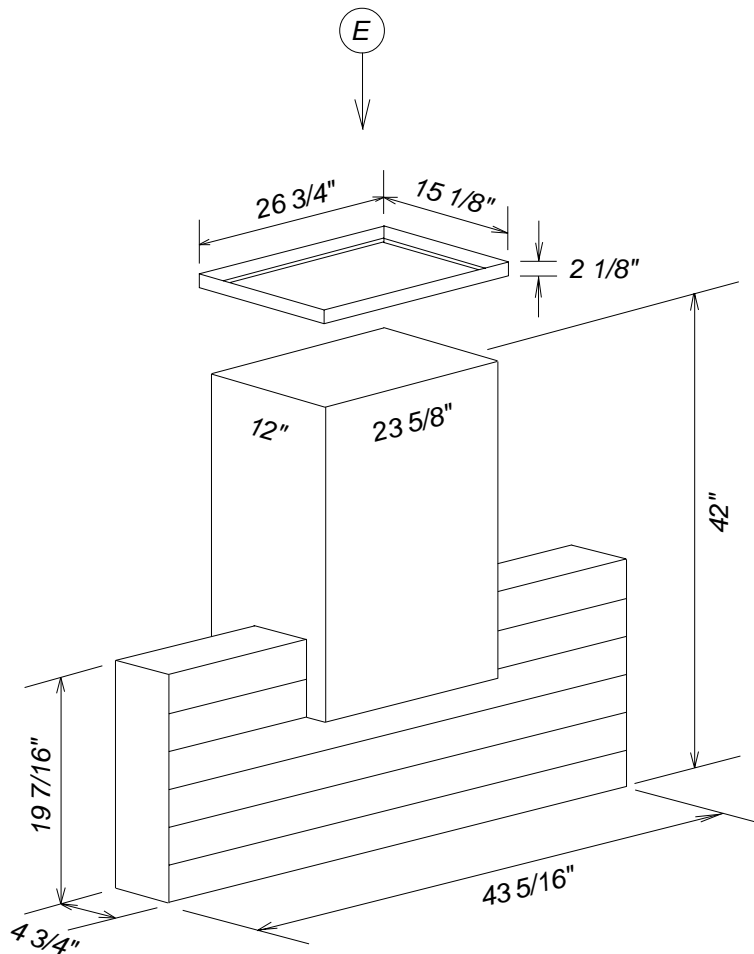


Product Dimensions

Island Hood

DA5000D



Location Codes
<i>E - 120 Volt - 15 Amp 3-wire power supply connects at top of chimney.</i>
Notes
<ul style="list-style-type: none"> • All installations must be done in accordance with local codes. • Mounting plate must be used. • 8" duct connects to mounting plate at top of chimney.

NOTE: Drawing is not to scale.
SPECIFICATION SHEETS 010608

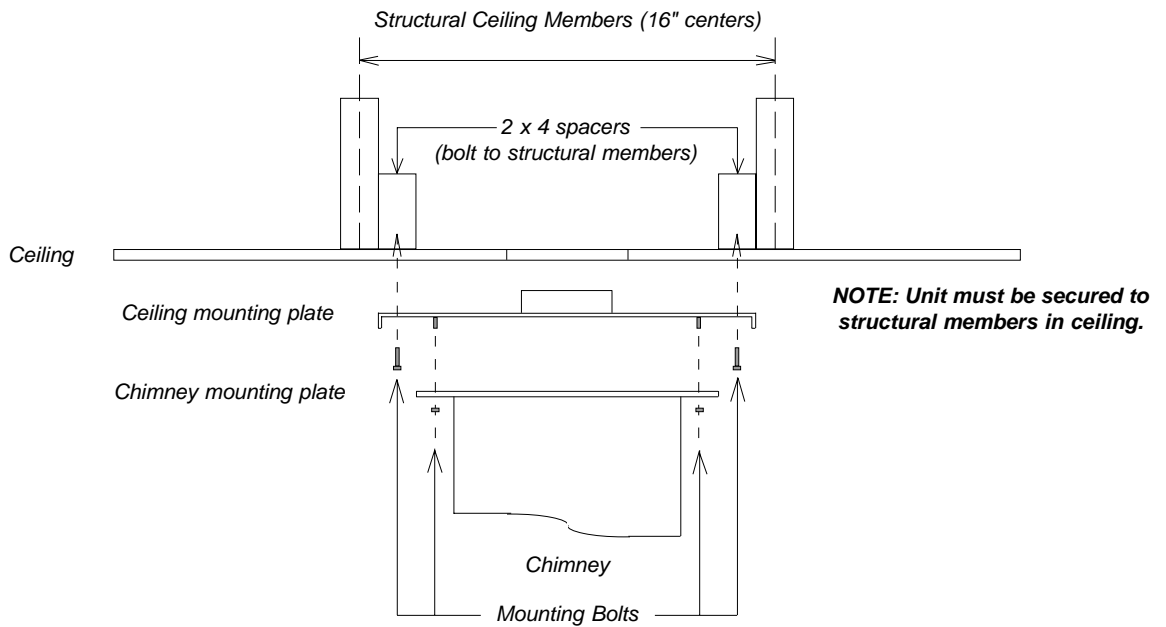
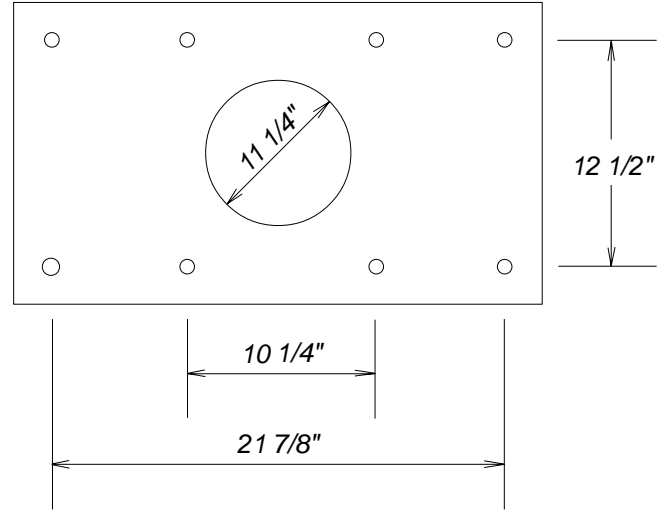
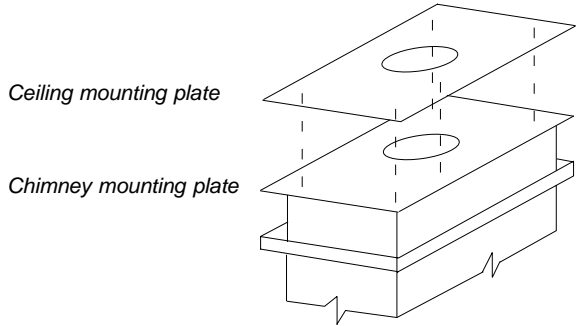
Installation Dimensions

Island Hood

DA5000D



Ceiling Mounting Plate Detail



Notes

- Center unit over cooking surface
- Bolt spacers to structural members
- Attach ceiling mounting plate to spacers in ceiling using supplied mounting bolts
- External ducting connects to ceiling mounting plate
- Connect chimney mounting plate to ceiling mounting plate using supplied mounting bolts.

NOTE: Drawing is not to scale.
SPECIFICATION SHEETS 010608