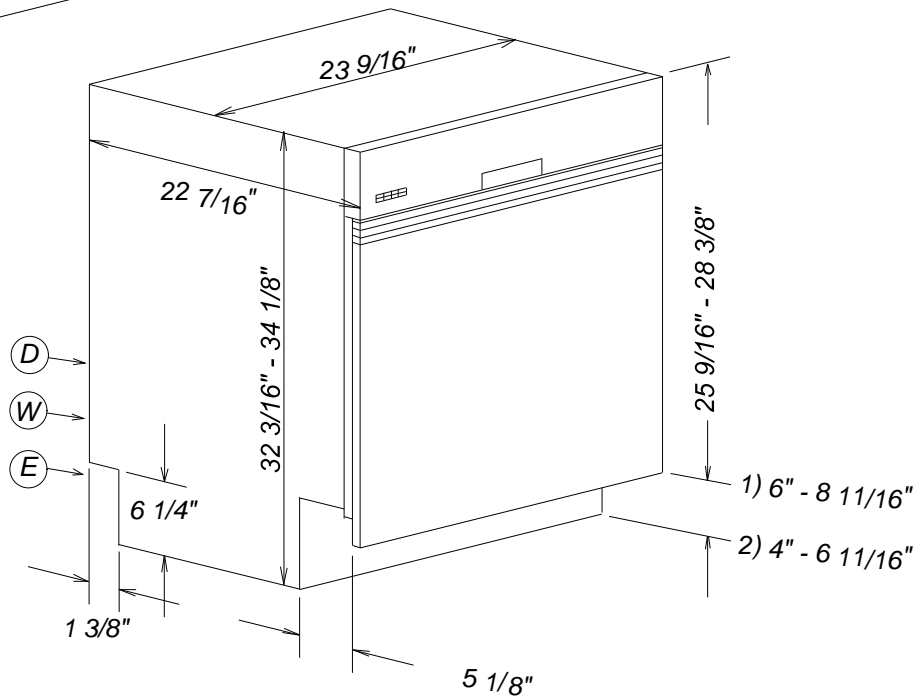
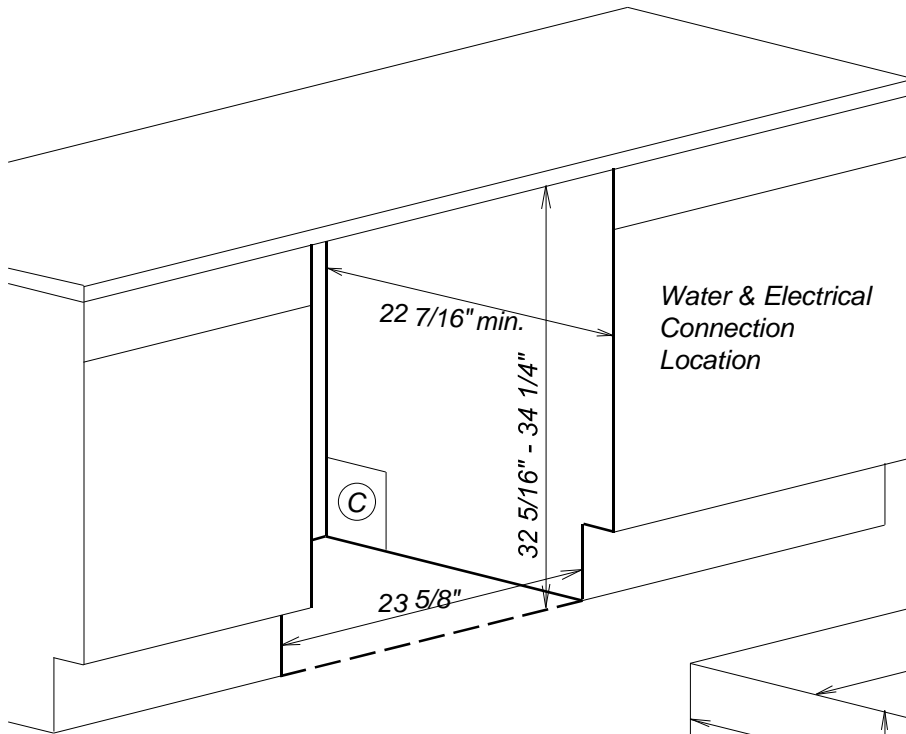


# Product and Cut-out Dimensions PG8050i Series Dishwashers



Location Codes
<b>C</b> - Cutout (2 1/4" x 4") for Water, Drain and Electric pass-through. Adjust according to water and drain location.
<b>D</b> - 5 foot flexible drain hose connects lower center rear.
<b>E</b> - 5 foot - 120 Volt - 15 Amp 3-wire molded plug power supply connects lower left rear.
<b>W</b> - 5 foot "Double Waterproof" flexible water intake hose connects lower center rear.
Notes
1) with 34 7/8" (870 mm) machine height
2) with 32 1/4" (820 mm) machine height
<ul style="list-style-type: none"> <li>All Installations must be done in accordance with local codes</li> <li>Machine heights between 35" and 37" can be obtained if the supplied legs are removed and extension legs are attached.</li> <li>Always use skis (included) during installation to insure proper levelling.</li> </ul>

NOTE: Drawing is not to scale.  
SPECIFICATION SHEETS 08172011

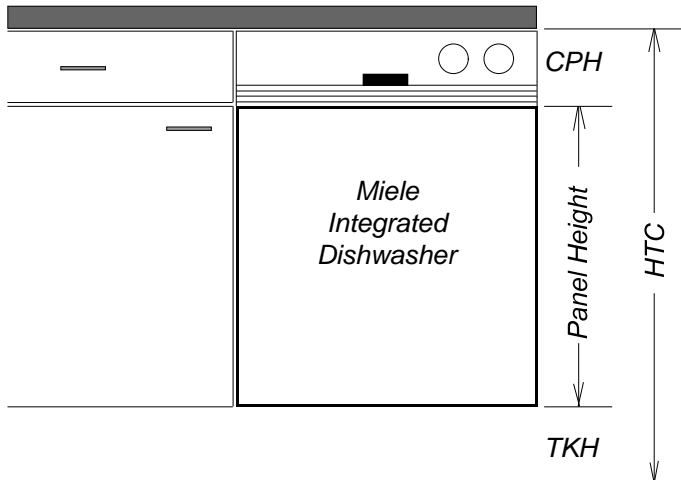
# Panel Information Integrated Models



## Custom Panel Installations

Some Miele dishwashers do not come equipped with a front panel. These dishwashers are designed to accept a custom door panel supplied by the cabinet maker. Miele has a unique panel integration system which allows the dishwasher to align with the surrounding cabinets.

Panel size is determined in the following manner:



**Width:** 23 1/4" - 23 1/2" in all cases

**Thickness:** 2/3" minimum

**Height:** Determined using the following calculation:

$$\text{Panel Height} = \text{HTC} - \text{CPH} - \text{TKH}$$

**HTC** = Height to the underside of countertop

**CPH** = Control Panel Height (Note 1)

**TKH** = Toe Kick Height

**Note 1:** Control Panel Height is determined by the height of the drawers in the cabinets. This height is adjustable between 4 1/2" and 5 3/4" with spacer strips provided. Additional spacer strips and foam inserts may be ordered to reach 6" in height.

### Maximum Panel Weight

White / Black 23 Pounds

Stainless Steel 19 Pounds

## GDU Kit Installations

In lieu of a custom front, Miele offers a decorative panel system called a GFV kit. GFV kits vary depending upon the model chosen. Each GFV kit contains a front panel and a toe kick cover.

### G8050i Series GFV 60/60-1



This GFV accepts a custom insert:

Height: 23 11/16"

Width: 23 1/8"

Thick: 3/4"

NOTE: Drawing is not to scale.  
SPECIFICATION SHEETS 08172011