

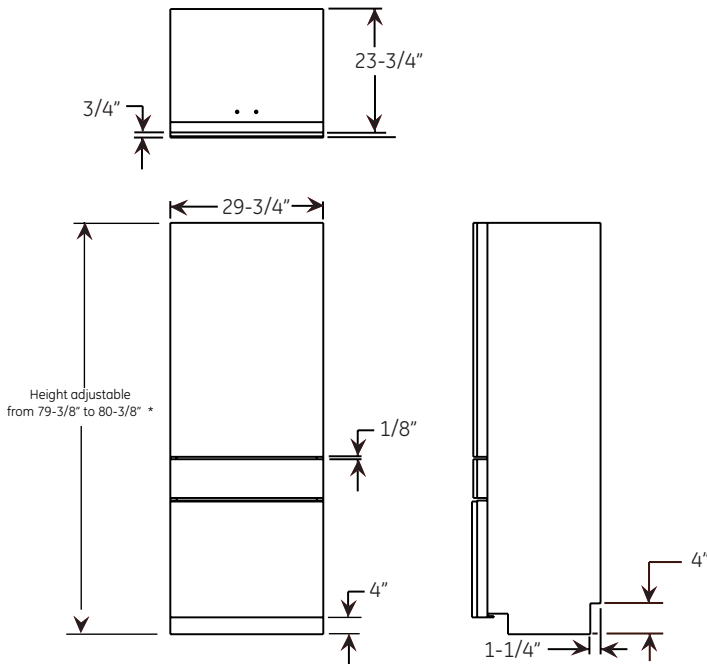
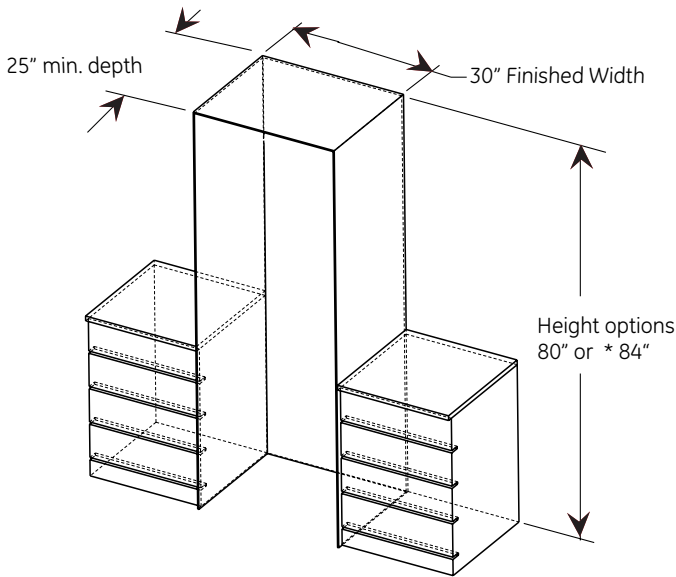
# ZIC30GNZII/ZIK30GNZII

## GE Monogram® 30" Fully Integrated Customizable Refrigerators with Convertible Drawer

### Dimensions and Installation Information (in inches)

#### The Installation Space

The finished cutout width must be 30".



For answers to your Monogram,® GE Profile™ or GE® appliance questions, visit our website at [geappliances.com](http://geappliances.com) or call GE Answer Center® service, 800.626.2000.

#### The cutout depth must be 25" for flush installations.

- The front face of the refrigerator fits flush with 25" depth adjacent cabinets.

#### Electrical

A 115V, 60Hz., 15 or 20 amp power supply is required. An individual properly grounded branch circuit or circuit breaker is recommended. Install a properly grounded 3-prong electrical receptacle recessed into the back wall. Electrical must be located on rear wall as shown.

**Note:** GFI (ground fault interrupter) is not recommended.

#### Water Line

- A cold water supply is required for automatic icemaker operation. The water pressure must be between 40 and 120 p.s.i.
- Route 1/4" OD copper or GE SmartConnect™ plastic tubing between the house cold water line and the water connection location.
- Tubing should be long enough to extend to the front of the refrigerator. Allow enough tubing to accommodate a bend leading into the water line connection.
- Water line can enter an opening through the floor or back wall.
- Install a shut-off valve between the icemaker water valve and cold water supply in the home.



imagination at work



Listed by  
Underwriters  
Laboratories

# ZIC30GNZII/ZIK30GNZII

## GE Monogram® 30" Fully Integrated Customizable Refrigerators with Convertible Drawer

### Dimensions and Installation Information (in inches)

#### Customization Basics:

These refrigerators are factory set for a right hinged door swing. The door swing is reversible. Choose an RH model with hinge on the right side; the door swings left to right. Choose an LH model with hinge on the left side; the door will swing right to left.

#### Note:

For 84" panels, the top space behind the top panel can be enclosed with wood and stained by the cabinet maker to match adjacent cabinetry.

#### Door Handles

Custom handles of your choice, supplied by your cabinetmaker, can be installed. If desired, you may order WR12X10988 Monogram® European stainless steel tubular handle kit for custom panels.

#### Optional Accessory Kits

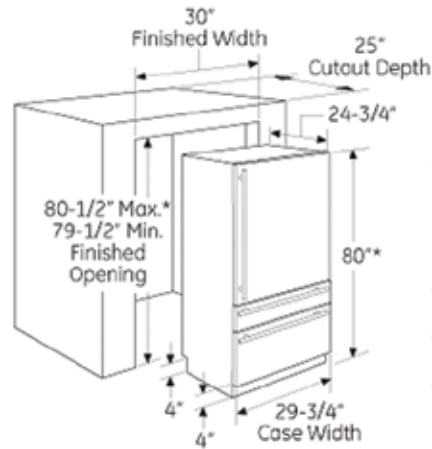
ZUG30: For side-by-side installation

European Handle Kit: can be purchased through GE Parts store - WR12X10988

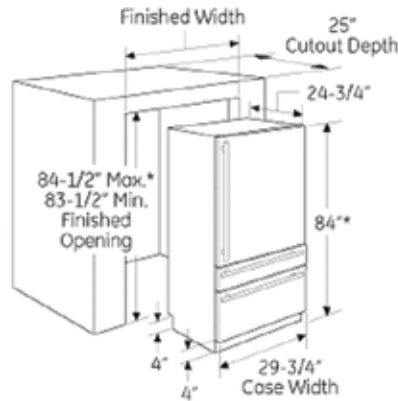
#### Door Swing Clearances

The installation must allow for clearances to adjacent walls or cabinets. These refrigerators are equipped with a 2-position door stop. The factory-set 115° door swing can be adjusted to 90° if clearance to adjacent cabinets or walls is restricted.

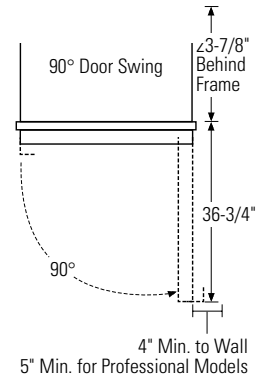
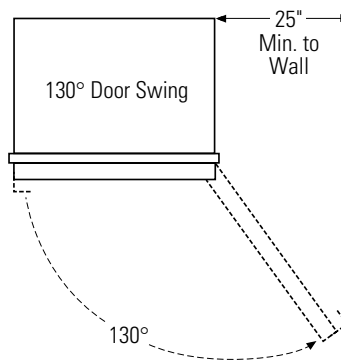
### Product Dimensions



\*80" high installation. The wine reserve can be adjusted to fit into a cutout that is 79-1/2" min. to 80-1/2" max. height. Use leveling legs and wheels for a maximum 1" height adjustment.



\*84" high installation. The wine reserve can be adjusted to fit into a cutout that is 83-1/2" min. to 84-1/2" max. with the appropriate door kit. Use leveling legs and wheels for a maximum 1" height adjustment.



Allow 15" minimum clearances for a full 115° door swing.

- 5" minimum clearance is required when the door swing is adjusted to 90°.
- See door swing illustrations to determine interaction with adjacent cabinets or countertops.

For answers to your Monogram®, GE Profile™ or GE® appliance questions, visit our website at [geappliances.com](http://geappliances.com) or call GE Answer Center® service, 800.626.2000.



# ZIC30GNZII/ZIK30GNZII

## GE Monogram® 30" Fully Integrated Customizable Refrigerators with Convertible Drawer

### Dimensions and Installation Information (in inches)

#### SS PANEL ACCESSORY & DIMENSIONS

##### 3/4"-Thick Solid Door Panel Options

##### For 80" High Installation

- European - Panel Model ZKST300N LH & RH capable
- Professional - Panel Model ZKSP300N LH & RH capable

**For 84" High Installation** the door panel is not reversible for the 84" installations. A left or right-hand door panel accessory must be purchased.

- LH European - Model ZKST304NLH
- RH European - Model ZKST304NRH
- LH Professional - Model ZKSP304NLH
- RH Professional - Model ZKSP304NRH

**Note:** Each kit also contains matching freezer and customizable drawer panels, handles and toekick.

#### Optional Accessory Kits#:

- Side-by-Side Installation Kit - ZUG30
- European handle kit - 3 handles (can be purchased through GE Parts) - WR12X10988

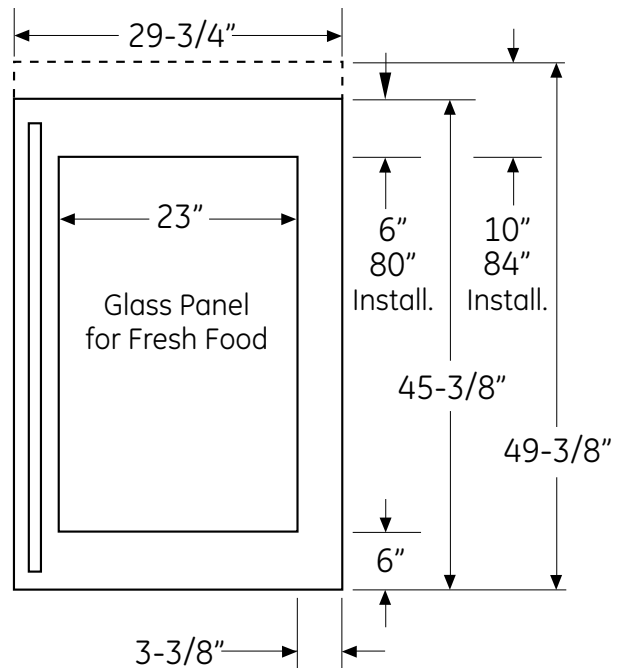
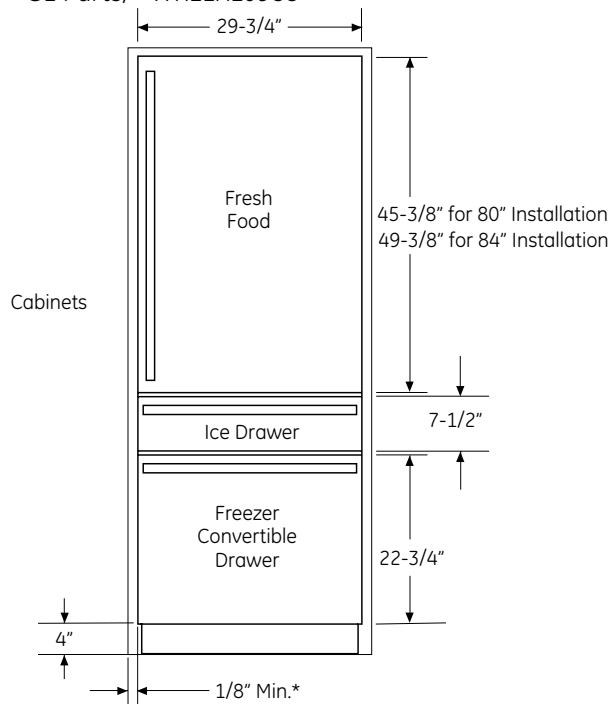
#### 3/4"-Thick Frame for Glass Door Options For 80" High Installation

- European - Panel Model ZKGT300N LH & RH capable
- Professional - Panel Model ZKGP300N LH & RH capable

**For 84" High Installation** The door panel is not reversible for the 84" installations. A left or right-hand door panel accessory must be purchased. The top space behind the top panel can be enclosed with wood and stained by the cabinet maker to match adjacent cabinetry.

- LH European - Model ZKGT304NLH
- RH European - Model ZKGT304NRH
- LH Professional - Model ZKGP304NLH
- RH Professional - Model ZKGP304NRH

**Note:** Each kit also contains matching freezer and convertible drawer panels, handles and toekick.



\*Pro style window is slightly smaller.

For answers to your Monogram,® GE Profile™ or GE® appliance questions, visit our website at [geappliances.com](http://geappliances.com) or call GE Answer Center® service, 800.626.2000.



imagination at work



Listed by  
Underwriters  
Laboratories

# ZIC30GNZII/ZIK30GNZII

## GE Monogram® 30" Fully Integrated Customizable Refrigerators with Convertible Drawer

### Dimensions and Installation Information (in inches)

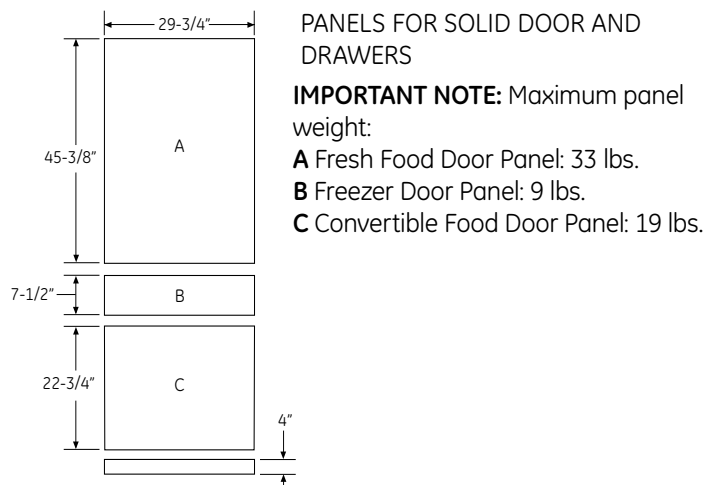
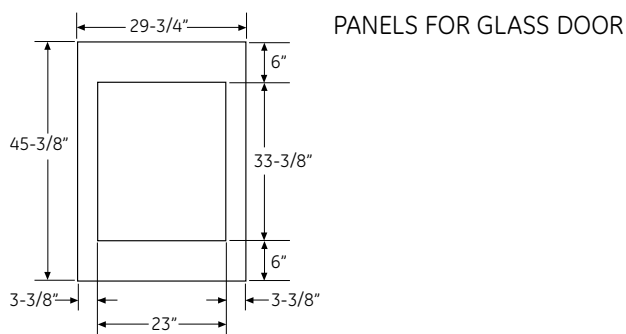
#### 3/4" CUSTOM PANEL DIMENSIONS:

##### 80" High Fully Integrated Installation

If you choose to install custom panels, they must be cut to the dimensions shown. The panels will attach to the door and drawers using a hook and bracket system.

**NOTE:** This product is designed to handle 3/4" panels that are made of wood.

33-3/8" x 23" is the maximum opening for a glass window. The opening may be smaller if desired.



\*Styles must be a min 3-3/8" to cover aluminum door frame.  
**Design Tip:** Some amount of each panel will be visible on the interior side of the unit. It is recommended that both sides of each panel be finished.

**Design Tip:** If using custom panels, a custom toe kick should be considered. The bottom of case is white.

For answers to your Monogram®, GE Profile™ or GE® appliance questions, visit our website at [geappliances.com](http://geappliances.com) or call GE Answer Center® service, 800.626.2000.



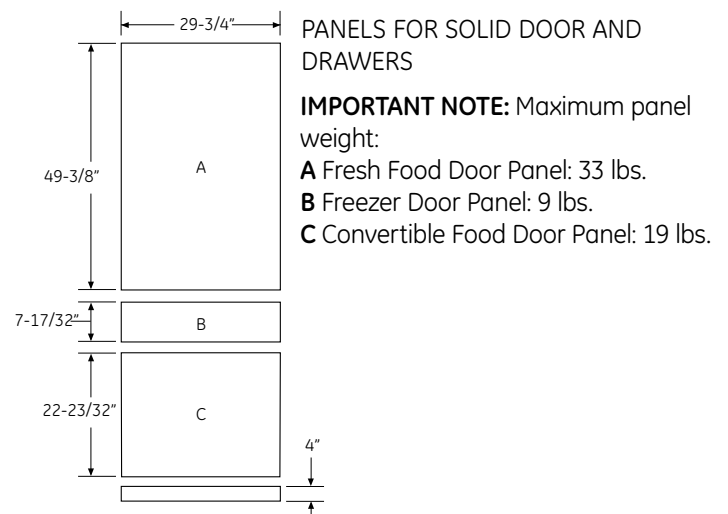
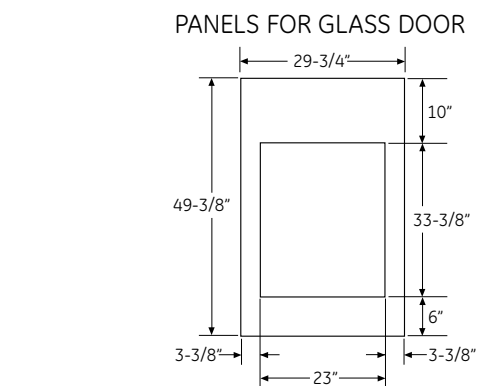
#### 3/4" CUSTOM PANEL DIMENSIONS:

##### 84" High Fully Integrated Installation

If you choose to install custom panels, they must be cut to the dimensions shown. The panels will attach to the door and drawers using a hook and bracket system. The top space behind the top panel can be enclosed with wood and stained by the cabinet maker to match adjacent cabinetry.

**NOTE:** This product is designed to handle 3/4" panels that are made of wood.

33-3/8" x 23" is the maximum opening for a glass window. The opening may be smaller if desired.



\*Styles must be a min 3-3/8" to cover aluminum door frame.  
**Design Tip:** Some amount of each panel will be visible on the interior side of the unit. It is recommended that both sides of each panel be finished.

**Design Tip:** If using custom panels, a custom toe kick should be considered. The bottom of case is white.



# ZIC30GNZII/ZIK30GNZII

## GE Monogram® 30" Fully Integrated Customizable Refrigerators with Convertible Drawer

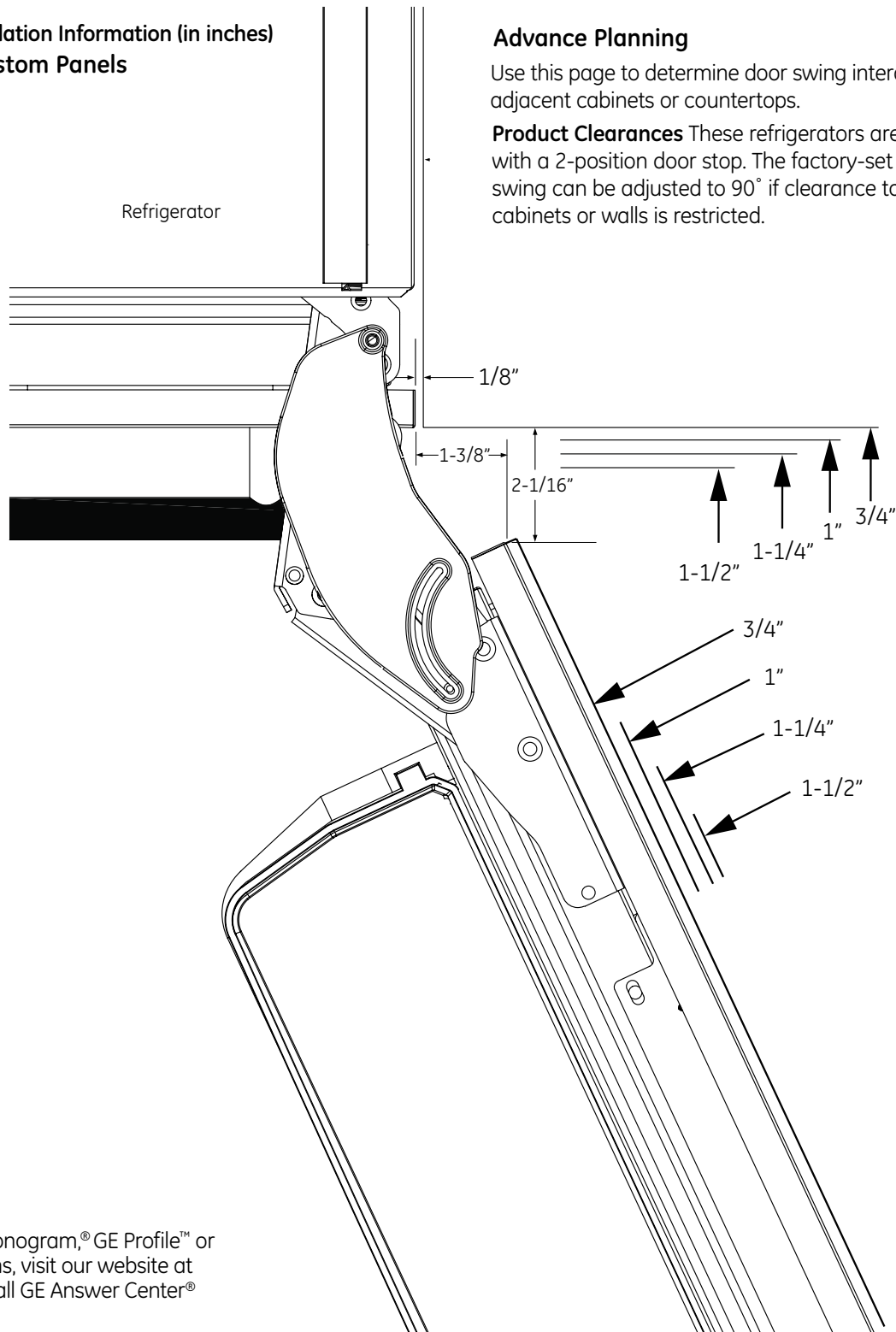
Dimensions and Installation Information (in inches)

SS European or Custom Panels

Top View

115° DOOR SWING

(factory setting)



### Advance Planning

Use this page to determine door swing interaction with adjacent cabinets or countertops.

**Product Clearances** These refrigerators are equipped with a 2-position door stop. The factory-set 115° door swing can be adjusted to 90° if clearance to adjacent cabinets or walls is restricted.

For answers to your Monogram,® GE Profile™ or GE® appliance questions, visit our website at [geappliances.com](http://geappliances.com) or call GE Answer Center® service, 800.626.2000.



imagination at work



Listed by  
Underwriters  
Laboratories

# ZIC30GNZII/ZIK30GNZII

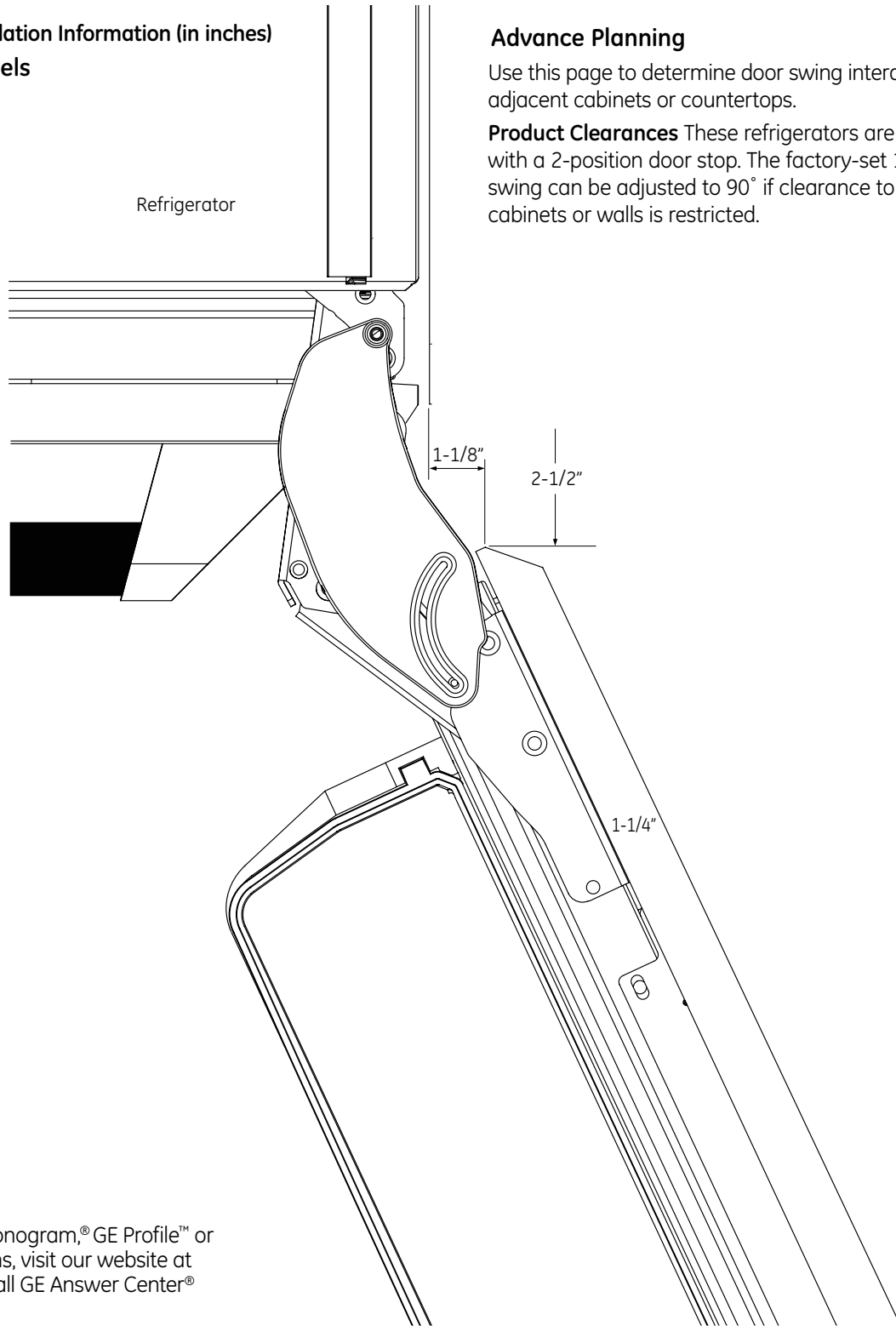
## GE Monogram® 30" Fully Integrated Customizable Refrigerators with Convertible Drawer

Dimensions and Installation Information (in inches)

SS Professional Panels

Top View

115° DOOR SWING  
(factory setting)



### Advance Planning

Use this page to determine door swing interaction with adjacent cabinets or countertops.

**Product Clearances** These refrigerators are equipped with a 2-position door stop. The factory-set 115° door swing can be adjusted to 90° if clearance to adjacent cabinets or walls is restricted.

For answers to your Monogram,® GE Profile™ or GE® appliance questions, visit our website at [geappliances.com](http://geappliances.com) or call GE Answer Center® service, 800.626.2000.



imagination at work



Listed by  
Underwriters  
Laboratories

# ZIC30GNZII/ZIK30GNZII

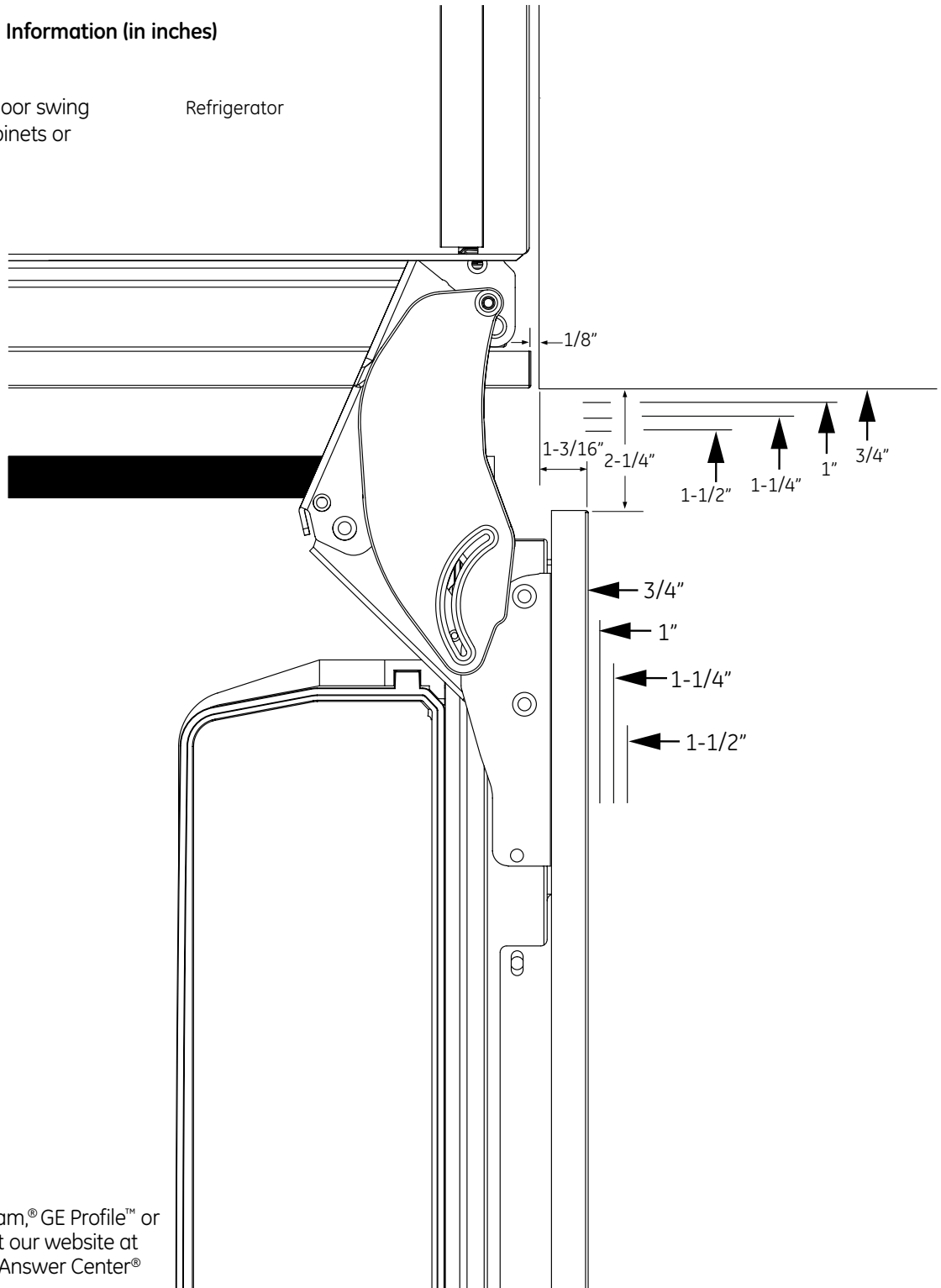
## GE Monogram® 30" Fully Integrated Customizable Refrigerators with Convertible Drawer

### Dimensions and Installation Information (in inches)

#### Advance Planning

Use this page to determine door swing interaction with adjacent cabinets or countertops.

**SS European or Custom Panels**  
**Top View**  
**90° DOOR SWING**  
**(optional setting)**



For answers to your Monogram,® GE Profile™ or GE® appliance questions, visit our website at [geappliances.com](http://geappliances.com) or call GE Answer Center® service, 800.626.2000.



imagination at work



Listed by  
Underwriters  
Laboratories

# ZIC30GNZII/ZIK30GNZII

## GE Monogram® 30" Fully Integrated Customizable Refrigerators with Convertible Drawer

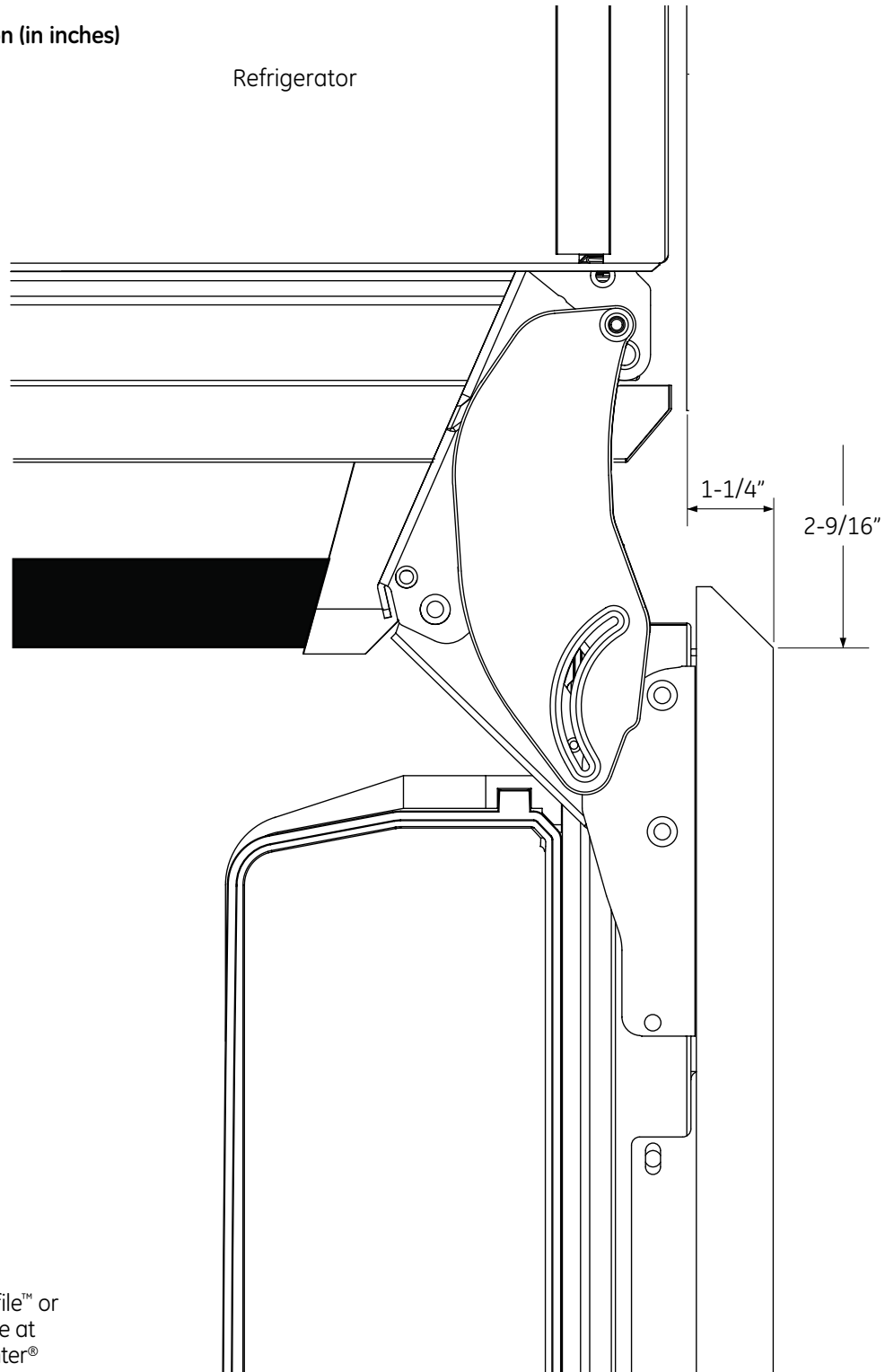
### Dimensions and Installation Information (in inches)

#### Advance Planning

Use this page to determine door swing interaction with adjacent cabinets or countertops.

#### SS Professional Panels

Top View  
90° DOOR SWING  
(optional setting)



For answers to your Monogram,® GE Profile™ or GE® appliance questions, visit our website at [geappliances.com](http://geappliances.com) or call GE Answer Center® service, 800.626.2000.



imagination at work



Listed by  
Underwriters  
Laboratories

# ZIC30GNZII/ZIK30GNZII

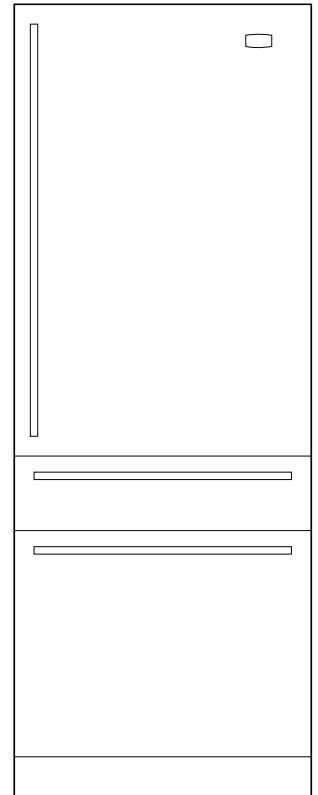
## GE Monogram® 30" Fully Integrated Customizable Refrigerators with Convertible Drawer

### Dimensions and Installation Information (in inches)

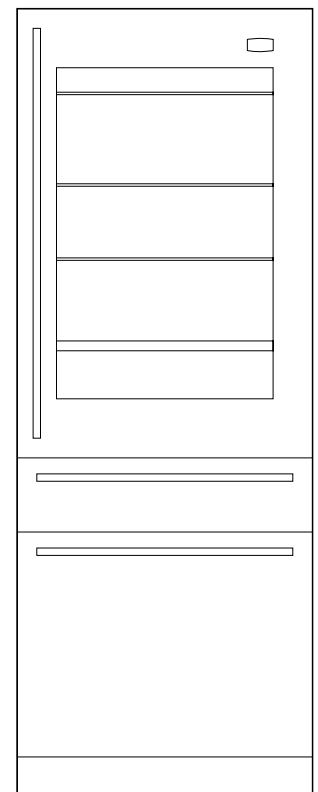
### Features and Benefits

- Integrated design - Blends seamlessly with surrounding cabinetry and can be fitted with custom, professional or European-style panels in 80- or 84-inch heights
- Dual-refrigeration system - Provides precise and customizable climate control with three independent temperature-management zones
- Convertible lower drawer - With independent temperature controls can be used to store fresh food, frozen foods, wine or beverages
- GE unveils first HFC-free refrigerator in the U.S. - Replaces the standard hydrofluorocarbon (HFC) refrigerant with a hydrocarbon (HC) alternative, R600A
- Freezer drawer with electronic icemaker - Includes a removable ice bin and scoop and accommodates everyday freezer items
- LED interior lighting - Gradually brightens and dims when door or drawer is opened and closed
- Adjustable glass shelves - With aluminum trim provides an elegant and uncluttered appearance
- Soft-close freezer and convertible drawers - Smoothly and quietly slide into a secure shut position
- Illuminated, electronic glass-touch controls - Make it easy to adjust interior lighting, temperature (Fahrenheit or Celsius), control lock and other settings for all three climate zones
- GE water filtration system - Provides clean, fresh-tasting ice cubes (GSWF)
- Sabbath mode-capable - Allows the refrigerator to comply with Kosher practices
- ENERGY STAR® qualified - To use less energy and save money (ZIC30GNZII model only)
- Model ZIC30GNZII - Solid door
- Model ZIK30GNZII - Glass door

For answers to your Monogram,® GE Profile™ or GE® appliance questions, visit our website at [geappliances.com](http://geappliances.com) or call GE Answer Center® service, 800.626.2000.



ZIC30GNZII - Solid door



ZIK30GNZII - Glass door



imagination at work