

# LARGE TYMPANI

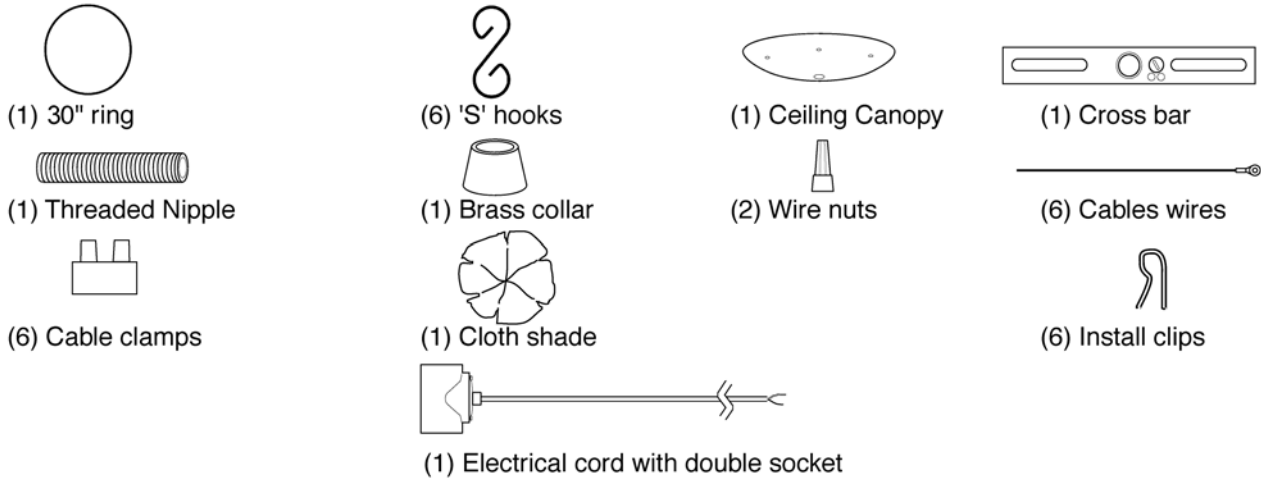
Item #77-P  
Designed by CW Designs of Sausalito



© 1997 Fire Farm, Inc.  
Oakland, CA  
Made in the USA

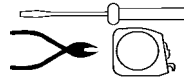
## Assembly Instructions

### Parts Included: (pictures not to scale)



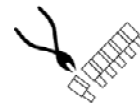
### Tools you will need:

small flat-head screwdriver,  
wire cutters, tape measure



### Before you start:

cut the 6 wire clamps  
apart with wire cutters



## Assembly:

### 1. Determining the shade height (Figure 1)

Determine hanging distance of the Tympani shade. The distance from the ceiling to the top of the shade can be to a maximum of 37 inches (45 inches overall height).

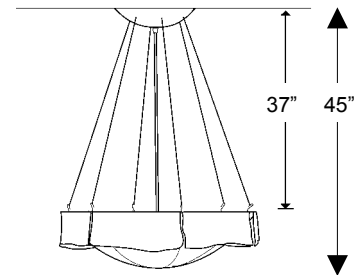


Figure 1

### 2. Attaching the cables to the ceiling canopy (Figure 2,3)

Thread the plain end of each cable through the holes in the ceiling canopy (**figure 2**).

To hang your fixture at the 37-inch maximum, attach the cable clamps to the very end of the cables. For a shorter distance place the cable clamps in from the cable the amount you wish to shorten the hanging distance. Be sure that the cable clamps are placed in exactly the same position on all six cables or your fixture will not hang evenly.

Once you have located the cable clamps on the cable, tighten both set screws and cut all excess cable with wire cutters so that the cable end is flush with the edge of the clamp (**figure 3**).

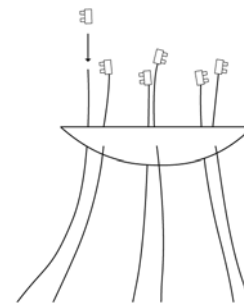


Figure 2

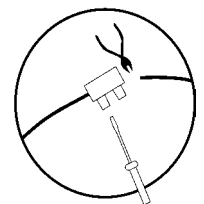


Figure 3

### 3. Wiring the socket into the ceiling (Figure 4,5)

#### **Turn off the power to the junction box.**

(WARNING: RISK OF FIRE AND ELECTRIC SHOCK. THIS PRODUCT IS TO BE INSTALLED ONLY BY A QUALIFIED ELECTRICIAN.)

(4.1) Screw the cross bar to your existing ceiling box.

(4.2) Screw the threaded nipple into the center of the cross bar. Thread the non-socket end of the electrical cord through the brass collar, the canopy, and then the nipple (figure 4).

Adjust the length of the electrical cord so the top of the socket hangs level with the bottom of the S-hooks when the hooks are hanging loose on the cables (figure 4 & 5). THE SOCKET SHOULD HANG 3 INCHES ABOVE THE BOTTOM OF THE SILK SHADE WHEN FULLY ASSEMBLED (5.1).

(4.3) Tie a slipknot in the cord around the cross bar above the nipple and tighten it so that the cord hangs securely at the desired height (figure 5).

(4.4) Cut and strip the outer casing of the cord to leave approximately 6 inches of the individually insulated black and white wires after the slipknot on the cross bar. Strip the individual casing off to reveal about of 5/8" of bare copper wire at the very ends of the black and white wires.

(4.4) Using one of the wire nuts, connect the neutral lead (usually white) from the ceiling box to the white wire on the electrical cord. Twist the wires together clockwise and tighten the nut so it covers all the bare wire. Using the other wire nut, connect together the hot lead (black) to the black wire of the electrical cord. Tighten the nut as before. If there is a bare copper or green ground wire, connect this to the green screw on the cross bar (4.5).

Push the canopy up flush to the ceiling and tighten the brass collar on the nipple. The canopy should be secure against the ceiling (figure 5).

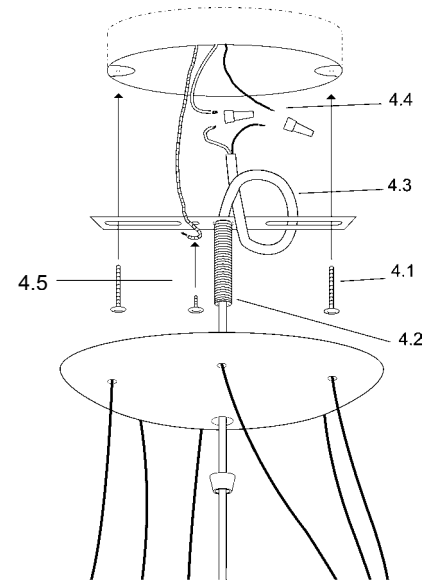
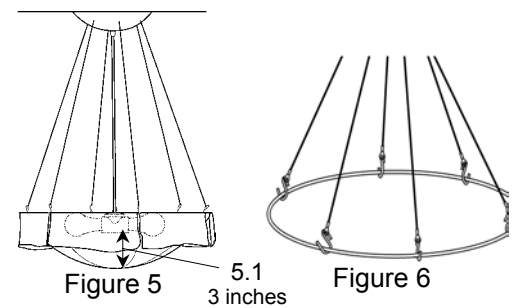


Figure 4



### 4. Attaching the shade (Figure 6,7)

Thread all the S hooks through the holes in the cables (figure 6). The S hook should face the same way as in the drawing. Hang the shade ring from the bottom of the S hooks.

Iron the wrinkles out of the silk shade (see care below). Using the temporary install clips, clip the shade to the shade ring making sure the eyelets line up with the S hooks (7.1). The edge of the shade should hang over the ring about 5 inches. Thread the bottom of S hooks through the shade eyelets (figure 7). **Remove the temporary shade clips after all the eyelets have been attached.**

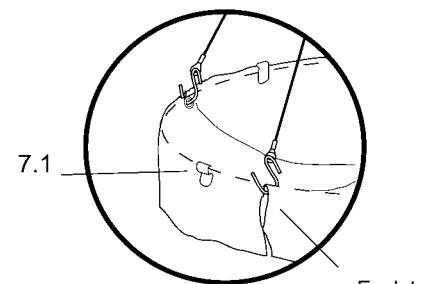


Figure 7

**You may put up to a maximum of one 150-watt bulb in each socket.**

#### **SAFETY AND CARE INFORMATION**

##### **SAFETY**

We have designed your lamp to the highest safety standards and all of our lamps are UL and CUL Approved.

**WARNING:** RISK OF FIRE AND ELECTRIC SHOCK. THIS PRODUCT IS TO BE INSTALLED ONLY BY A QUALIFIED ELECTRICIAN.

##### **CARE**

##### **Fabric shade . . .**

To remove dust from fabric shades, remove the shade and shake the dust out of it. All shades may be cleaned by carefully hand-washing with a mild soap in cool water and allowed to air dry. (DO NOT use detergent, bleach, or hot water, and DO NOT wring out your shade or put it in a dryer.) Shades may also be dry-cleaned. Shades should be ironed on the lowest setting possible with a steam iron or using a dry iron and a press-cloth.