

FEATURES

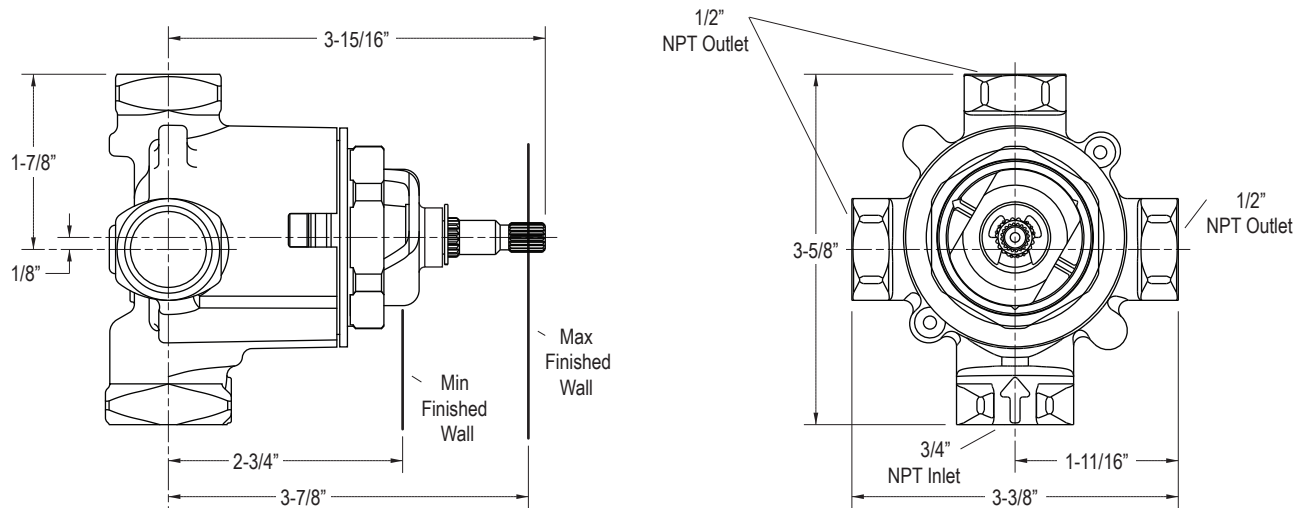
- Brass Construction
- Wall-mount
- Brass valve body
- Selection of one or combination of two outlets
- Single-handle control
- One 3/4" NPT inlet connection
- Three 1/2" NPT outlet connections

CODES/STANDARDS APPLICABLE

Specified Model Meets or Exceeds the Following:

- ASME A112.18.1/CSA B125.1
- IAPMO/UPC

P29513



SPECIFIED MODEL

Model	Description	Finishes
P29513-00	3-way Transfer Valve	<input type="checkbox"/> NA

We reserve the right to make revisions without notice in the design of products or in packaging unless this right has specifically been waived at the time the order is accepted.