



VE 230 614

Stainless steel control panel
Width 12" (29 cm)

Installation accessories

VV 200 014

Connecting strip for combination
with other Vario cooktops

SH 230 001

Hinge holder required for fitting the
appliance cover

Optional accessories:

VD 201 014

Bruahed stainless steel
appliance cover

**200 series Vario electric cooktop
VE 230**

- Special appliance for restaurant-grade capabilities in the home kitchen.
- Generous control panel for comfortable and secure operation.
- Two cooking zones including combination. Total output up to 3,000 W.

Cooking zones

2 cooking zones:
1 Super-Quick cooking zone
ø 5 1/16" (1,200 W).
1 Super-Quick cooking zone
ø 4 3/4" (700 W), converts to
ø 7 1/16" (1,800 W).

Features

Two continuously variable
energy controls.
Cooking zone marking.

Safety

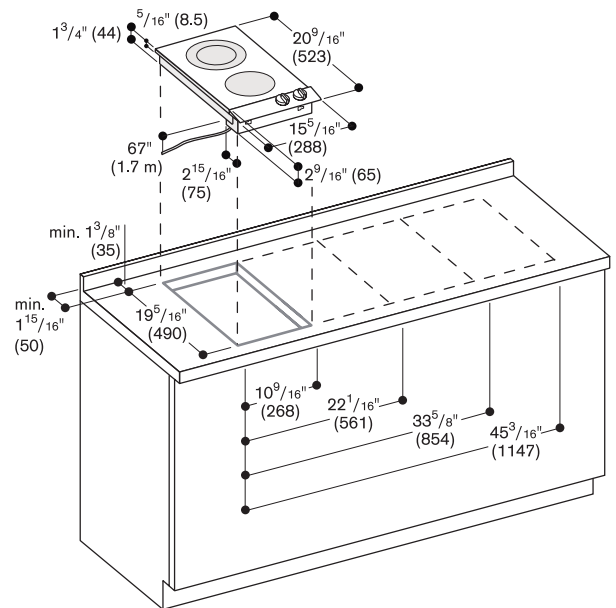
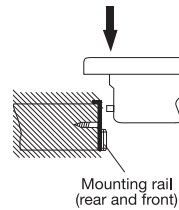
Individual residual heat display.
Operation indicator light.

Planning notes

Appliance clicks into place when
inserted in the countertop from
above.
The cooktop is equipped with a
67" connecting cable (hard wire
required).

Rating

Total rating: 3.0 kW
Total Amps: 13
220-240V / 60Hz



Numbers indicated
inside parenthesis () = mm

