



VL 431 707

Stainless steel frame
Control unit
Width 3 11/16" (9.3 cm)

VL 430 707

Stainless steel frame
Expansion element
Width 3 11/16" (9.3 cm)

Optional accessories

AL 400 000

Finishing strip, when cooktop ventilator is installed as the last appliance in a combination. (Requires no cut-out space.)

AS 070 000

Connection piece as extension for installation with VF 411 or VK 411.

LS 330 000

Air deflector required for combination with gas cooktop VG 421 to prevent a flame which has been set to a low level from being extinguished.

400 series Vario downdraft ventilation

VL 430/VL 431

- Ventilation element integrated in the countertop. The least conspicuous ventilation method around.
- Effective extraction at countertop level. No breathing in cooking vapors.
- More head room. Gives more space over the cooktop area.

Downdraft ventilation system control unit for combination with Vario 400 Pro series cooktops.

Features

Two step power setting.
Automatic sealing flaps.
Stainless steel grease filter, dishwasher-safe.
Output control by soft-touch keys.
Time setting runs approximately 22 minutes on low speed with automatic shut-off.
Delayed shut-off in the 0 setting after 15 seconds.

VL 430 707

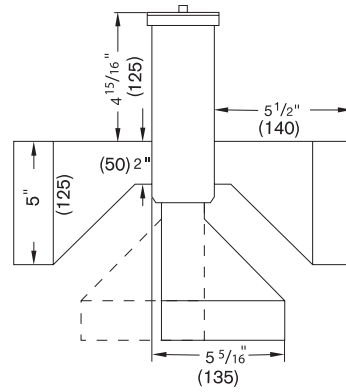
Cooktop air intake same as VL 431, but without controls. Must be used with VL 431 707. Same features as above. Can be combined with: VC 422, VF 411, VG 421, VR 421. Do not use with VG 411 210 CA.

Planning notes

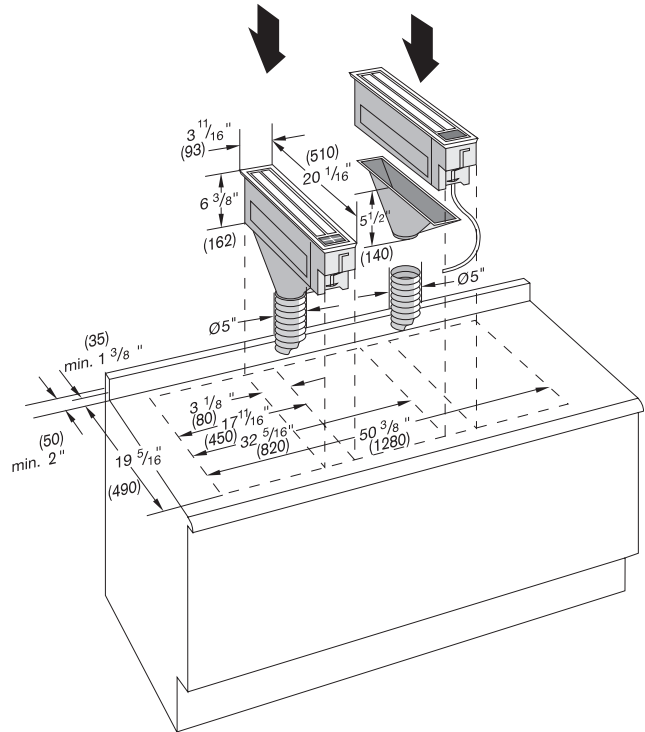
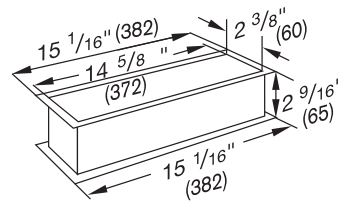
VL 430/431 707 must be installed with remote blower GB 031 707. Maximum cooktop width between two VL's is 24". Extraction through ø 5" ducting to remote blower unit GB 031 707. Combination of only 1 x VL 431 and 1 x VL 430 possible. Unit comes with a standard 120 V, 60 Hz wall plug.

Rating

120V / 60Hz



AS 070 000



Numbers indicated inside parenthesis () = mm