



**RF 463 700**

Fully integrated  
with ice and water dispenser  
Right-hinged, width 24"

**RF 463 701**

Fully integrated  
with ice and water dispenser  
Left-hinged, width 24"

**Installation accessories**

**RA 460 000**

Installation kit for side-by-side  
installation (for connecting any  
two columns)

**RA 460 010**

Heating kit if columns are not  
attached and less than 6" apart

**RA 460 020**

Connecting element for vertically  
split appliance fronts (for a flush  
front)

**RA 460 040**

Finger protection for extra long  
furniture fronts

**Optional accessories**

**RA 035 030**

Aluminum bottle cooler

**RA 422 610**

Stainless steel door  
panel with handles for RF 463  
Panel thickness 3/4".

**RA 422 630**

Aluminum door  
panel with handles for RF 463  
Panel thickness 3/4".

**RA 461 614**

Ventilation grill  
Stainless steel, for RF 463,  
right-hinged.

**RA 461 615**

Ventilation grill  
Stainless steel, for RF 463,  
left-hinged.

**RA 450 010**

Activated charcoal filter for water  
filter system including saturation  
indication.

**Freezer column**

**RF 463**

- Fully integrated appliances. Doors open to a 115-degree angle, so that the large drawers can be pulled out completely.
- Stainless steel, aluminum and glass interior to keep the refrigerator naturally hygienic, just like in a professional kitchen.
- Integrated automatic ice maker with water connection and dispenser for ice cubes, crushed ice and chilled water.

Niche height 84".

Niche width 24".

Net volume 12.2 cu.ft.

**Technical features**

Electronic precision temperature control with digital temperature display.

Automatic defrosting with defrost water evaporation.

Energy-saving vacation mode.

Open-door and malfunction warning system.

**Freezer compartment**

Fast freezing.

Temperature adjustable from 7° to -9°F.

Four solid metal shelves, three of which are manually adjustable.

A large, fully extendable drawer with transparent front.

A regular, fully extendable drawer with transparent front.

Interior lighting with two ceiling spots.

Four solid aluminum door bins, three of which are height-adjustable, one has a front flap.

**Ice dispenser**

Integrated automatic ice maker in the freezer compartment, with ice bin.

Ice cubes and crushed ice.

Anti-Clump ice system.

Ice making capacity approx. 5.5 lbs./24 hrs.

Supply at normal operation approx. 8.8 lbs.

Chilled water supply approx. 1.3 quarts.

Ice and water dispenser accommodates large pitchers and sports bottles.

Illuminated ice and water dispenser.

Ice maker can be switched off separately.

**Planning notes**

Flat hinge.

Door hinges on the right, reversible if necessary.

Plan the electric outlet behind the appliance per installation instruction.

**Rating**

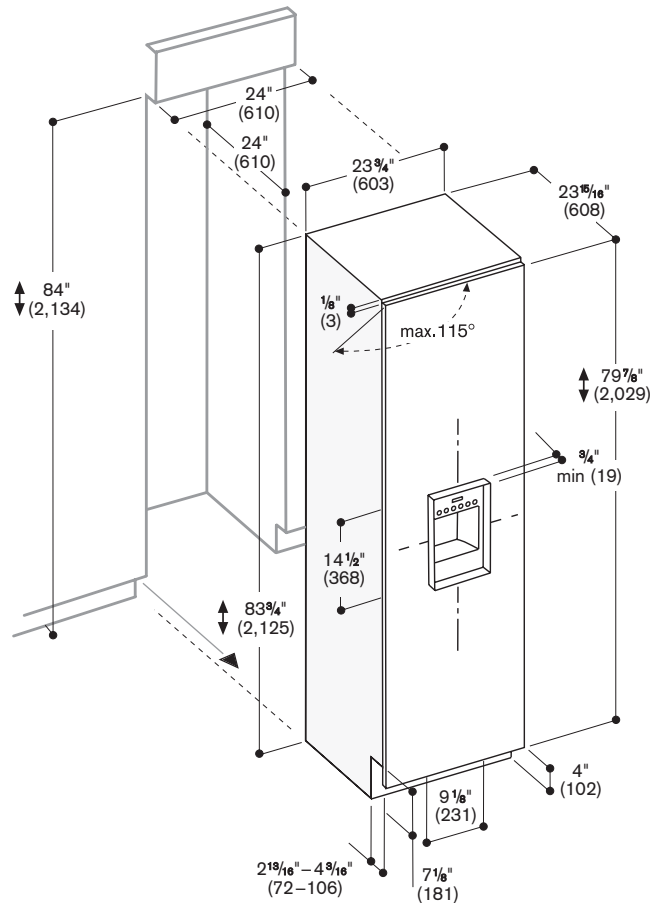
Total rating: 0.5 kW.

Water connection.

Connecting cable length 78".

Supply hose length 118".

Total Amps: 15  
120V / 60Hz  
Energy consumption  
0.40/0.44 kWh/24 hrs.



Numbers indicated  
inside parenthesis ( ) = mm

