

### SHIPPED COMPONENTS

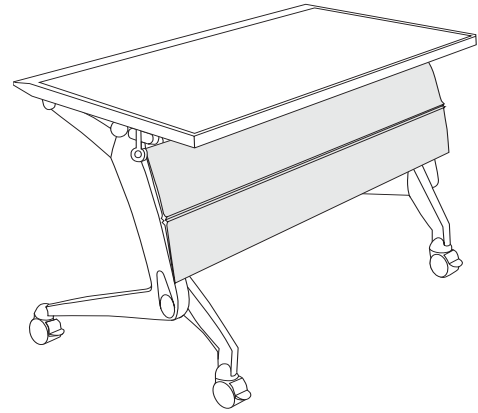
- 1 modesty panel
- 1 hardware package

### HARDWARE PACKAGE

- 4 (73053705) torx head screws, 1/4-20 x 1/2"
- 1 (811772R) right-hand bracket, R
- 1 (811772L) left-hand bracket, L
- latchlock tape on each bracket

### TOOLS REQUIRED

- 1 electric drill or ratchet with T-27 torx bit



VECTA

## modesty panel assembly instructions

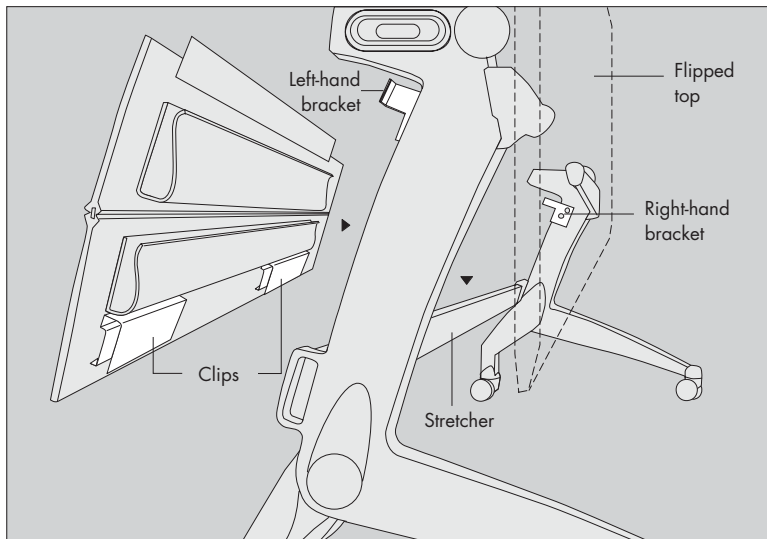
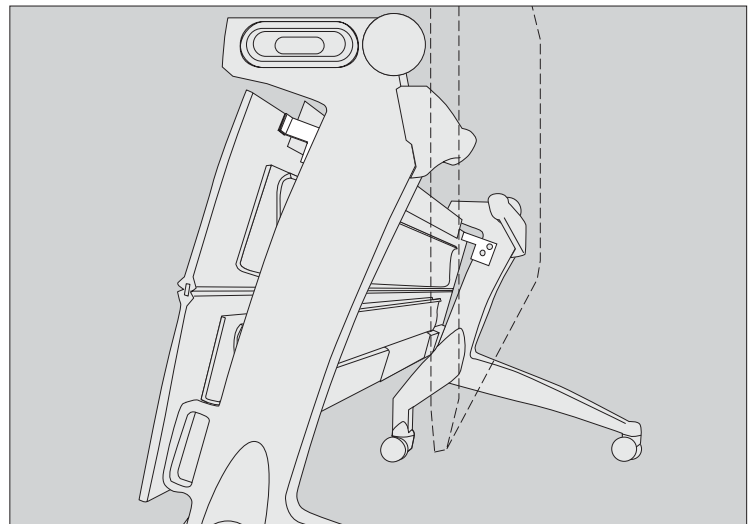
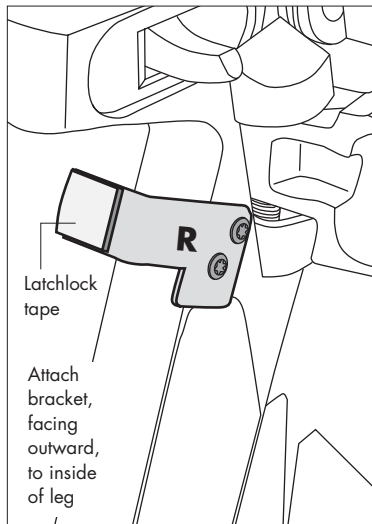
Train™

A Steelcase Company

Design: Vecta Design  
Team & I.D.E.O.

Note: To attach the modesty panel, Train table top must be flipped up.

- 1 Brackets are identified with "L" or "R". Attach the left-hand bracket, "L", LOOSELY to the leg on the user's left with (2) torx head screws. Attach the right-hand bracket, "R", LOOSELY to the leg on the user's right with (2) torx head screws.



- 3 Align top of brackets with top of modesty panel. Also, adjust brackets on each side for the latchlock tape surface to fully contact the modesty panel. Tighten the torx head screws.
- 4 With upper modesty panel door open, peel off the protective backing of the latchlock tape to expose the adhesive. Close the modesty panel door and firmly press the door, adhering the latchlock tape on each bracket to the door.

**DO NOT OPEN THE MODESTY PANEL DOOR FOR 24 HOURS.**  
For full cure the door should not be opened for 24 hours.

- 2 Attach modesty panel to table by slipping the clips over the stretcher.