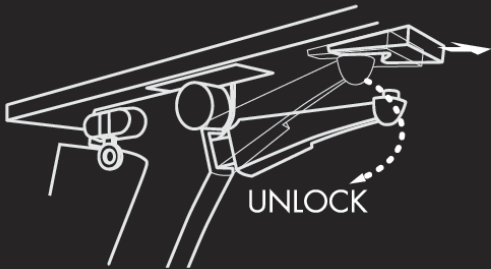
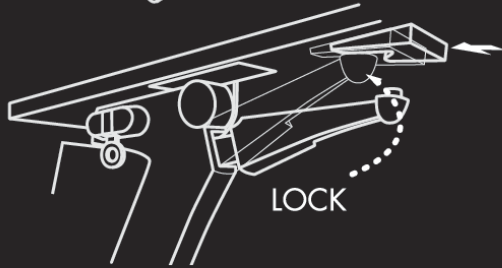
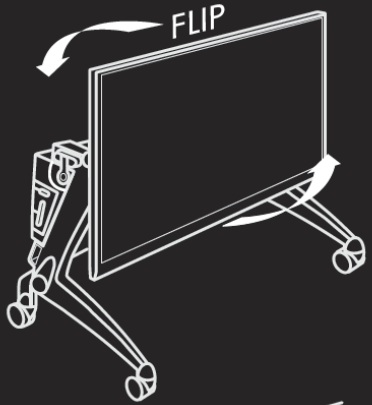


TO UNFOLD

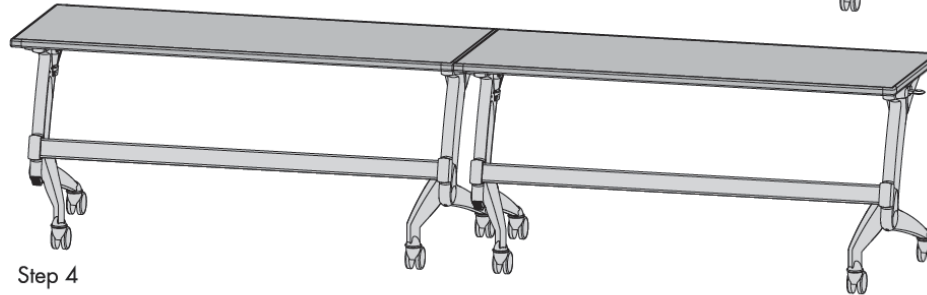
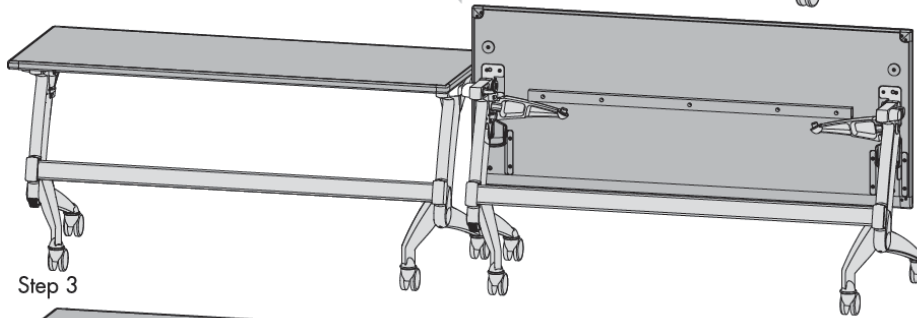
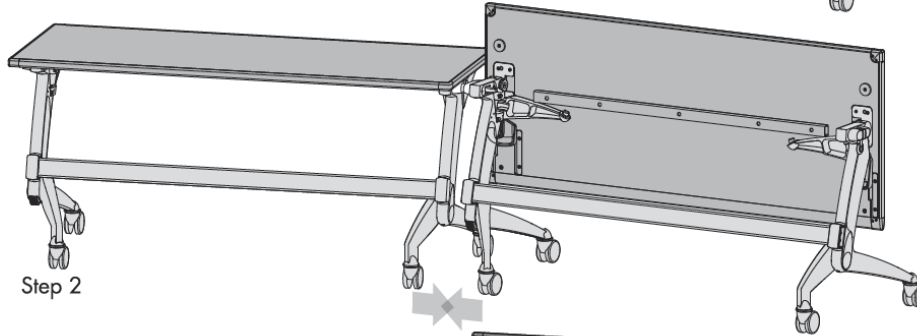
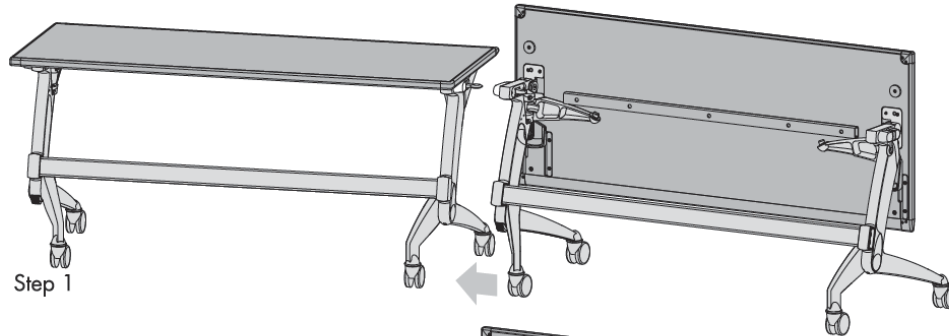


VECTA

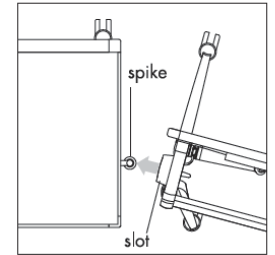
P.N. 759463 Rev. A, 3/08

Train™ table Patents pending. ©2001, 2006, 2008  
Vecta® Grand Prairie, TX 75051

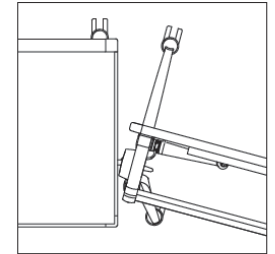
TO GANG



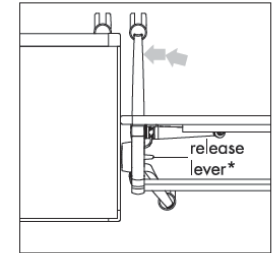
TOP VIEW OF GANGING



Top up, roll slot side at angle toward spike on other table.

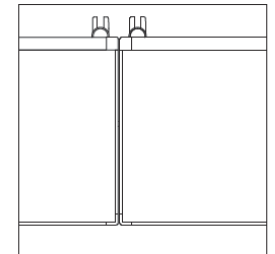


With force, engage slot onto spike at angle.



Rotate to align with other table. A "click" can be heard.

\*Note: To uncouple, push lever.



Flip top down and lock top.