

# Induction Cooktops

EW30IC60I S, EW30IC60I B



### More Energy-Efficient

Cooking with induction is 70% more efficient than gas and 20% more efficient than electric.



### More Responsive

Cooking with induction is more responsive than gas or electric—you can instantly adjust the heat to a delicate simmer or bring it to a quick boil.



### Two 8" Induction Elements

With four powerfully efficient induction elements, the Induction Cooktop offers the utmost cooking flexibility. And the two 8" induction elements offer up to 3,200 watts of power, so you can bring water to a boil quickly.



### Exceptional Temperature Control

Adjust heat with greater accuracy than gas or electric cooktops, especially at lower settings. Perfect for melting chocolate and cooking delicate foods and sauces.

## 30" INDUCTION COOKTOPS

### Features

|  |     |
|--|-----|
| Perfect Set® Electronic Touch Controls     | Yes |
| Ceramic Smoothtop Glass Surface            | Yes |
| 8" Induction Cooking Element – 2300W/3200W | 2   |
| 7" Induction Cooking Element – 1900W       | 1   |
| 6" Induction Cooking Element – 1500W       | 1   |
| Hot Surface Indicator Lights               | Yes |
| Sealed Spill Control Cooktop               | Yes |
| Sabbath Mode (Star-K® Certified)           | Yes |
| A.D.A. Compliant*                          | Yes |

### Accessories

|   |          |
|---|----------|
| Granite Countertop Installation Kit – PN# 903061-9010 | Optional |
|---|----------|

### Specifications

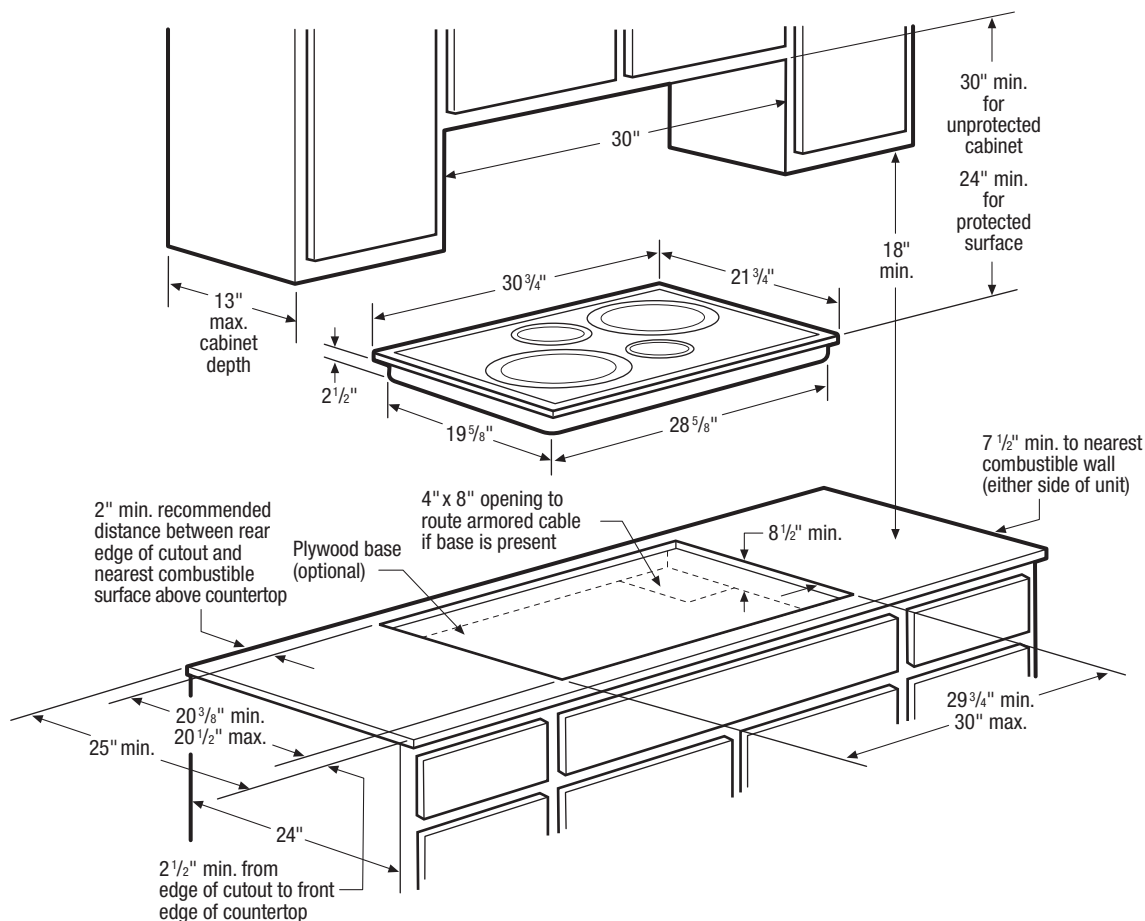
|   |                   |
|---|-------------------|
| Color –   |                   |
| Stainless Steel   | S                 |
| Black   | B                 |
| Product Dimensions –  |                   |
| Width   | 30-3/4"           |
| Depth   | 21-3/4"           |
| Height (Extreme Bottom to Underside of Cooktop)   | 2-1/2"            |
| Power Supply Connection Location  | Right Center Rear |
| Connected Load (kW Rating) @ 240/208 Volts  | 7.7/6.7           |
| Amps @ 240/208 Volts  | 32/32             |
| Minimum Circuit Required (Amps)   | 40                |
| Electrical – Single phase 4-wire cable, 120/240 Volts or 120/208 Volts, 60 Hz, fused on both sides of line with ground. | Required          |
| Armored Electrical Cable  | Included          |
| Approved for Single Oven Combination Installation**   | Yes               |
| Approved for Downdraft Combination Installation**   | Yes               |
| Shipping Weight (Approx.)   | 60 Lbs.           |

\*When properly installed, meets the appliance standards in the Americans with Disabilities Act and the Architectural Barriers Act Accessibility Guidelines as published by the United States Access Board on June 23, 2004, as amended August 5, 2005.

NOTE: Always consult local and national electric codes. Refer to Product Installation Guide for detailed installation instructions on the web at [electroluxappliances.com](http://electroluxappliances.com).

Specifications subject to change.

\*\*Approved to be used over any Electrolux Single Wall Oven OR in combination with any Electrolux 30" Downdraft Vent.



## 30" Induction Cooktop Specifications

- Product Weight – 45 Lbs.
- Single phase 3- or 4-wire cable, 120/240 or 120/208 Volt, 60 Hertz, fused on both sides of line with ground.
- Connected Load (kW Rating) @ 240/208 Volts = 7.7/6.7 kW
- Amps @ 240/208 Volts = 32.0/32.0 Amps
- Recommended Circuit Breaker – 40 Amps
- Always consult local and national electric codes.
- Allow 2" space beneath cooktop or optional platform to clear electrical cable and allow space for installation of junction box on wall at back of cooktop. Position center of junction box 10" inward from right side of cooktop cutout, and 12" down from underside of countertop.
- Overhead cabinetry should not exceed a 13" maximum depth.
- Allow 30" minimum clearance between top of cooktop and bottom of unprotected wood or metal overhead cabinetry.
- Absolute minimum horizontal distance between overhead cabinets installed to either side of appliance must be no less than 30".
- Allow 24" minimum clearance when bottom of wood or metal overhead cabinet is protected by not less than 1/8" flame-retardant millboard covered with not less than No. 28 MSG sheet steel, 0.015" stainless steel, 0.024" aluminum or 0.020" copper.
- Allow 2" minimum clearance between rear edge of cutout and nearest combustible surface above countertop.

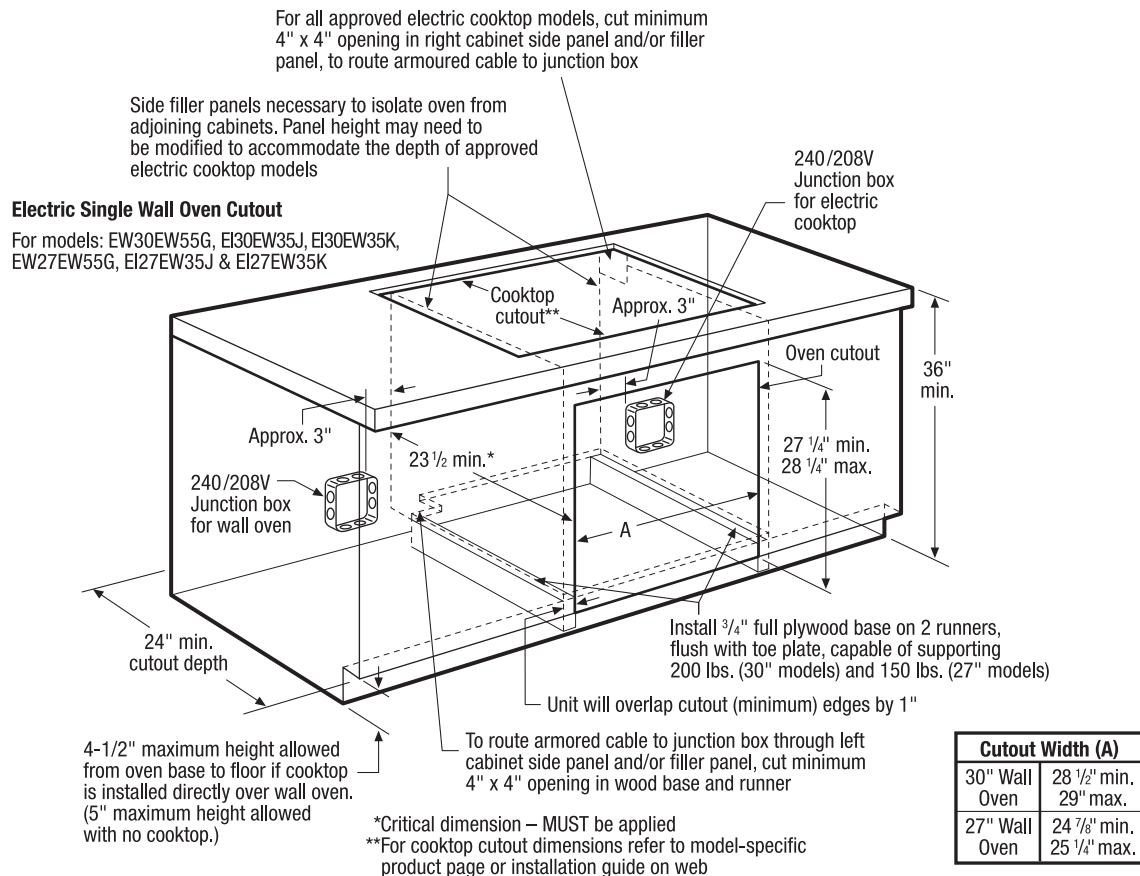
- Allow 7-1/2" minimum clearance from edge of cooktop to nearest combustible wall on either side of unit.
- Installation of drawers beneath cooktop requires minimum 10" clearance beneath countertop surface and assured clearance for electrical connection.
- To reduce risk of fire when using overhead cabinetry, install range hood that projects horizontally a recommended minimum of 5" beyond bottom of cabinets.
- Induction Cooktop model EW30IC60I is approved to be used over any Electrolux Electric Single Wall Oven. (Refer to *Electric Cooktop Installation Over 30"/27" Electric Single Wall Oven Specifications page on web.*)
- Induction Cooktop model EW30IC60I is approved to be used in combination with any Electrolux 30" Downdraft Vent. (Refer to *model-specific Downdraft Vent product page on web for detailed countertop preparation specifications.*)

**Note:** For planning purposes only. Refer to **Product Installation Guide on the web at [electroluxappliances.com](http://electroluxappliances.com) for detailed instructions.**

## Optional Accessories

- Granite Countertop Installation Kit – (PN# 903061-9010).

# Electric Cooktop Installation Over 30" / 27" Electric Single Wall Oven



## 30" & 27" Electric Single Wall Ovens Under-Counter Installation Specifications

- Product Weights – (EW30EW55G, EI30EW35J and EI30EW35K) 200 Lbs. / (EW27EW55G, EI27EW35J and EI27EW35K) 150 Lbs.
- Single phase 3- or 4-wire cable, 120/240 or 120/208 Volt, 60 Hertz AC only electrical supply with ground required on separate circuit fused on both sides of line.
- Connected Load (kW Rating) @ 240/208 Volts = (30") 4.0/3.0kW / (27") 3.4/2.6kW
- Amps @ 240/208 Volts = (30") 17.0/14.5 Amps / (27") 14.2/12.6 Amps
- Recommended Circuit Breaker – 20 Amps
- Always consult local and national electric codes.
- Minimum 21" clearance for oven door depth when open.
- Minimum 23-1/2" deep cutout dimension is critical for proper installation, to ensure that oven's faceplate will fit flush against cabinet front.
- Full oven base of solid plywood or similar material required, capable of supporting 200 Lbs. (30" models) or 150 Lbs. (27" models). Install over two runners and flush with toe plate.
- Base must be level and cabinet front must be square.
- Allow 5" maximum height from oven base to floor, if NO cooktop is installed directly over wall oven.

## Electric Cooktop Installation Over 30" / 27" Electric Single Wall Oven Specifications

- Electrolux Single Wall Oven models EW30EW55G, EI30EW35J, EI30EW35K, EW27EW55G, EI27EW35J and EI27EW35K are approved to be used beneath Electrolux cooktop models EW36EC55G, EW30EC55G, EW36IC60I, EW30IC60I, EW36CC55G and EW30CC55G.
- For detailed Electric or Induction Hybrid Cooktop installation, refer to model-specific product page and installation guide on web.
- Side filler panels necessary to isolate oven from adjoining cabinets. Panel height may need to be modified to accommodate the depth of approved electric cooktop models.
  - To route armoured cable to junction box, cut minimum 4" x 4" opening in right cabinet side panel.
  - Allow 4-1/2" maximum height from oven base to floor, if cooktop is installed directly over wall oven.

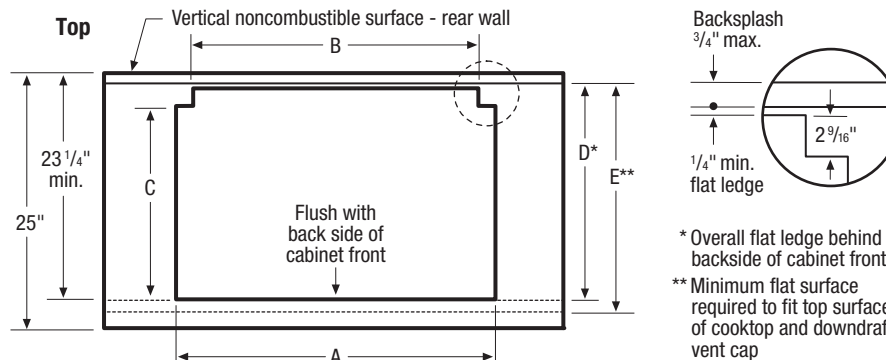
**Note: For planning purposes only. Refer to Product Installation Guide on the web at [electroluxappliances.com](http://electroluxappliances.com) for detailed instructions.**

## Electrolux Major Appliances, N.A.

USA • 10200 David Taylor Drive • Charlotte, NC 28262 • 1-877-4electrolux (1-877-435-3287) • [electroluxappliances.com](http://electroluxappliances.com)  
CANADA • 5855 Terry Fox Way • Mississauga, ON L5V 3E4 • 1-800-265-8352 • [electroluxappliances.ca](http://electroluxappliances.ca)

## Countertop Preparation for 30" & 36" Cooktop/Downdraft Vent Installation

For detailed cooktop and downdraft vent installation specifications, refer to model-specific product page and installation guide on web

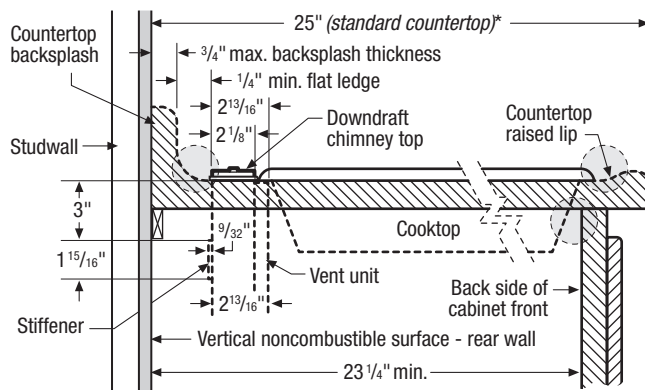


**E30DD75ESS/30" Cooktop Cutout Dimensions**

| 30" Cooktops | A       | B       | C       | D        | E        |
|--------------|---------|---------|---------|----------|----------|
| EW30IC60I    | 30"     | 27 3/4" | 20 1/2" | 23 5/16" | 24 5/16" |
| EW30CC55G    | 30"     | 27 3/4" | 20 1/2" | 23 5/16" | 24 5/16" |
| EW30EC55G    | 30"     | 27 3/4" | 20 5/8" | 23 7/16" | 24 7/16" |
| EW30GC55G    | 28 1/2" | 27 3/4" | 19 3/4" | 22 9/16" | 23 9/16" |
| EW30GC60I    | 28 1/2" | 27 3/4" | 19 3/4" | 22 9/16" | 23 9/16" |

**E36DD75ESS/36" Cooktop Cutout Dimensions**

| 36" Cooktops | A       | B       | C       | D        | E        |
|--------------|---------|---------|---------|----------|----------|
| EW36IC60I    | 36 1/4" | 33 3/4" | 20 1/2" | 23 5/16" | 24 5/16" |
| EW36CC55G    | 36 1/4" | 33 3/4" | 20 1/2" | 23 5/16" | 24 5/16" |
| EW36EC55G    | 36"     | 33 3/4" | 20 5/8" | 23 7/16" | 24 7/16" |
| EW36GC55G    | 34 1/4" | 33 3/4" | 19 3/4" | 22 9/16" | 23 9/16" |



### Cooktop Installation Note:

To ensure proper installation, refer to model-specific installation guide on web for cooktop dimensions, cutout dimensions and cabinet requirements. Due to varying cooktop depths, tight fit is possible between cooktop and vent.

### Countertop Preparation Note:

Be aware of areas of potential interference called out in illustration. Countertop with raised lip and/or backsplash may not allow enough flat area for proper installation, 2-13/16" of flat countertop required behind cooktop. No gap required between back of cooktop and front of downdraft trim piece.

\*Standard 25" countertop depth may NOT be adequate for some cooktop/vent installations, especially with backsplash.

### Cooktop/Downdraft Vent Countertop Preparation Specifications

- For detailed Cooktop installation, refer to model-specific product page and installation guide on web. Plan installation so that all required minimum clearances between cooktop, overhead cabinets and adjacent vertical walls are provided.
- Position cooktop/vent cutout so all required minimum clearances are met.
- Minimum flat countertop area must meet or exceed combined overall width and depth as shown. Standard 25" countertop depth may NOT be adequate for some cooktop/vent installations, especially with backsplash.
- Separate circuits required for cooktop and vent. (Refer to product-specific electrical specifications.)
- Always consult local and national electric and gas codes. Check local building codes for installation requirements, as they may vary per locale.

### Downdraft Vent Specifications

- For detailed Downdraft Vent installations, refer to model-specific product page and installation guide on web.
- Voltage Rating – 120V/ 60Hz/ 15 Amps
- Connected Load (kW Rating) @ 120 Volts = 1.0kW (For use on adequately wired 120V, dedicated circuit having 2-wire service with a separate ground wire. Appliance must be grounded for safe operation.)

- Amps @ 120 Volts = 8.0 Amps
- Vent unit outside of building only.
- Vent must be installed in vertical orientation only.
- 1,600 CFM remote exhaust blower (PN#5304444802) included with vent – shipped in separate box.
- Do not use flexible duct. Round duct instead of rectangular duct recommended, especially when elbows are required.
- When multiple elbows are necessary, ensure a minimum of 24" of straight duct between any two elbows.
- Thermal breaks such as short section of nonmetallic duct, should be used in areas of extreme cold.
- For most efficient airflow exhaust, use a straight run or as few elbows as possible.
- Cold weather installations should have additional backdraft damper installed.
- Installing a Downdraft Vent in combination with any gas cooking surface will affect optimum burner efficiency.

**Note: For planning purposes only. Refer to Product Installation Guide on the web at [electroluxappliances.com](http://electroluxappliances.com) for detailed instructions.**