



# Downdraft Vent

E30DD75ESS

30" Stainless Steel



## Signature Features



### Slim Style

Designed to work in perfect harmony with your 30" gas or electric cooktop.



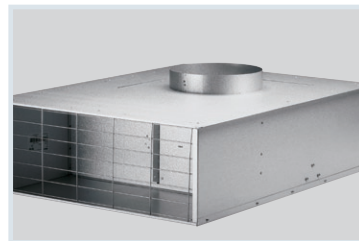
### Infinite-Speed Blower Control

The ultraquiet blower allows you to dial in the precise airflow needed.



### 10"-High Intake

When activated, the downdraft rises 10" to capture even the most stubborn cooking odors. Can be vented through wall or roof.



### Cleans Your Air Quietly

The strong, powerful performance of this 1600 CFM system matches your cooktop's output and aromas vanish into thin air. Blower is included with the downdraft vent.

## Features

Nominal Width	30"
Installation Type	Countertop Mounted
Vent Motor Location	External
Air Discharge	Down
Air Delivery (CFM)	1600
Intake Area	10"
Controls	Dial
Infinite-Speed Blower*	Yes
Dishwasher Safe Stainless Steel Filters	Yes
Exhaust Duct	External
Duct Required	3-1/4" x 10"

## Specifications

Color -	
Stainless Steel	S
Overall Exterior Dimensions -	
Width	30"
Height (Including 10" Rise)	40"
Depth	3-27/32"
Voltage Rating	120V / 60 Hz / 15A
Connected Load (kW Rating) @ 120 Volts‡	1.0
Motor Power Cord Location	Bottom Right
Shipping Weight (Approx.)	48 Lbs.

\*For use on adequately wired 120V, dedicated circuit having 2-wire service with a separate ground wire. Appliance must be grounded for safe operation.

\*Remote Exhaust Blower (PN# 5304444802) included with vent — shipped in separate box.

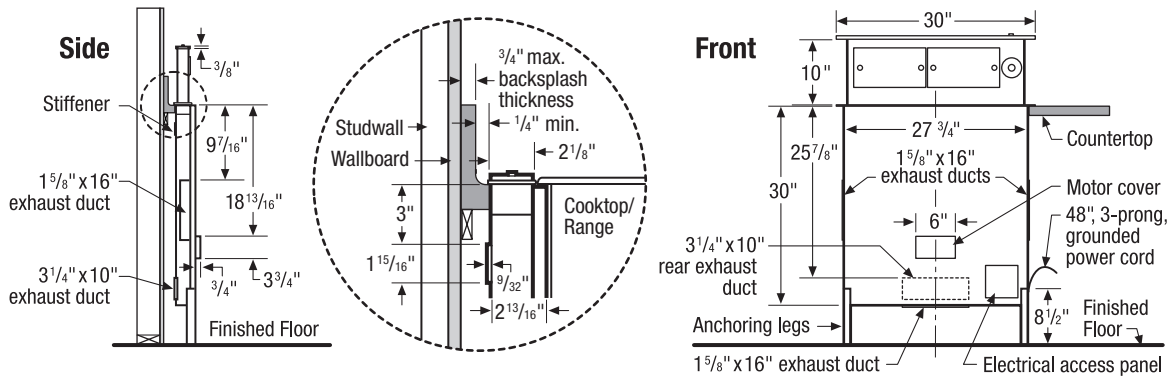
NOTE: Always consult local and national electric codes. Check local building codes for installation requirements, as they may vary per locale. Refer to Product Installation Guide for detailed installation instructions on the web at [frigidaire.com](http://frigidaire.com).

Specifications subject to change.

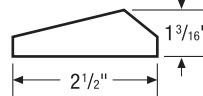
## Available in:



Stainless  
(S)



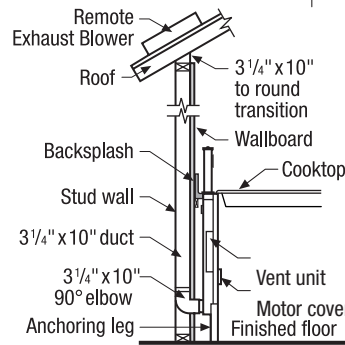
Cap Profile



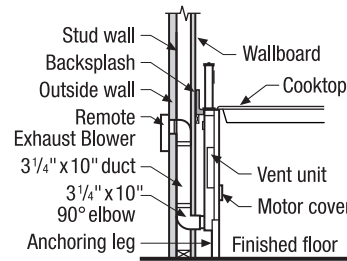
Specifications

For Use With	Duct Size
30" Cooktops	3 1/4" x 10"

Against-Wall  
Downdraft  
Installations



Roof Exhaust



Exterior Wall Exhaust

Downdraft Vent Specifications

- Voltage Rating - 120V / 60Hz / 15 Amps
- Connected Load (kW Rating) @ 120 Volts = 1.0 kW (For use on adequately wired 120V, dedicated circuit having 2-wire service with a separate ground wire. Appliance must be grounded for safe operation.)
- Amps @ 120 Volts = 8.0 Amps
- Do not use same circuit as cooktop.
- Always consult local and national electric codes. Check local building codes for installation requirements, as they may vary per locale.
- Vent must be installed in vertical orientation only.
- Vent unit outside of building only.
- Exhaust Duct Required - 3-1/4" x 10" (3-1/4" x 10" to round transition duct will be needed)
- Do not use flexible duct. Round duct instead of rectangular duct recommended, especially when elbows are required.
- When multiple elbows are necessary, ensure a minimum of 24" of straight duct between any two elbows.
- Thermal breaks such as short section of nonmetallic duct, should be used in areas of extreme cold.
- For most efficient airflow exhaust, use a straight run or as few elbows as possible.

- Cold weather installations should have additional backdraft damper installed.
- Installing a Downdraft Vent in combination with any gas cooking surface will affect optimum burner efficiency.
- Downdraft Vents can NOT be used in combination with any cooktop backsplash.
- Downdraft Vent model E30DD75ESS is approved to be used in combination with any Frigidaire® 30" gas or electric Drop-In Cooktop. (For detailed countertop preparation, refer to Drop-In Cooktop/Downdraft Vent Countertop Preparation page on web.)

Remote Exhaust Blower

- 1,600 CFM remote exhaust blower (PN# 5304444802) included with vent - shipped in separate box.
- Installation Options - roof or exterior wall mount for against-wall vent installation and under-floor mount for island vent installation.

**Note:** For planning purposes only. Refer to Product Installation Guide on the web at [frigidaire.com](http://frigidaire.com) for detailed instructions.

Accessories information available on the web at [frigidaire.com](http://frigidaire.com)



Specifications subject to change.

Printed in the U.S.A.