

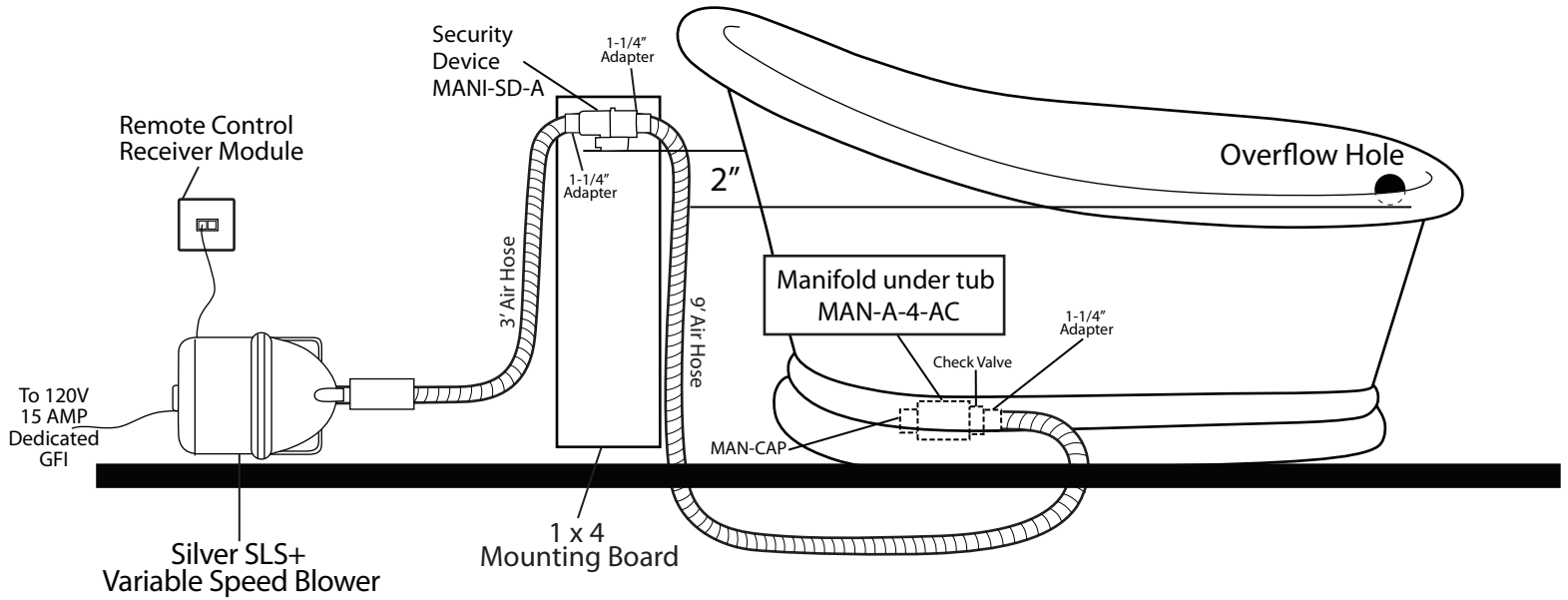
INSTALLATION INSTRUCTIONS

59" Paxton Hammered Copper Slipper Air Bath Tub on Plinth

- Install so that the security device, MANI-SD-A, is at least 2" above the bottom of the overflow hole.

Components List:

- BM-TWP Ball Check Valve Jets
- MANI-SD-A Security Device
- MAN-A-4-AC Manifold
- Silver SLS+ Variable Speed Blower



Inside of Bath

Features:

- (12) Maxi Air Jets with 24 openings



Elbows for air jets

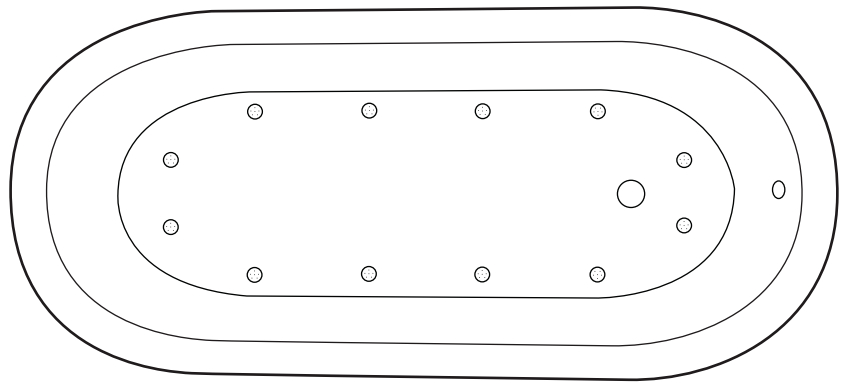


Tees for air jets

- Remote Control CG+/RTC-SENSOR-WP



12-15 year battery life

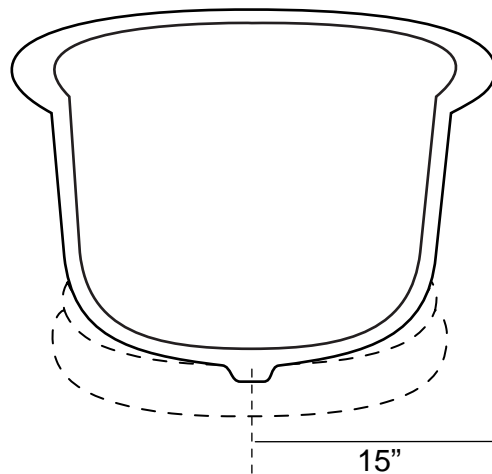
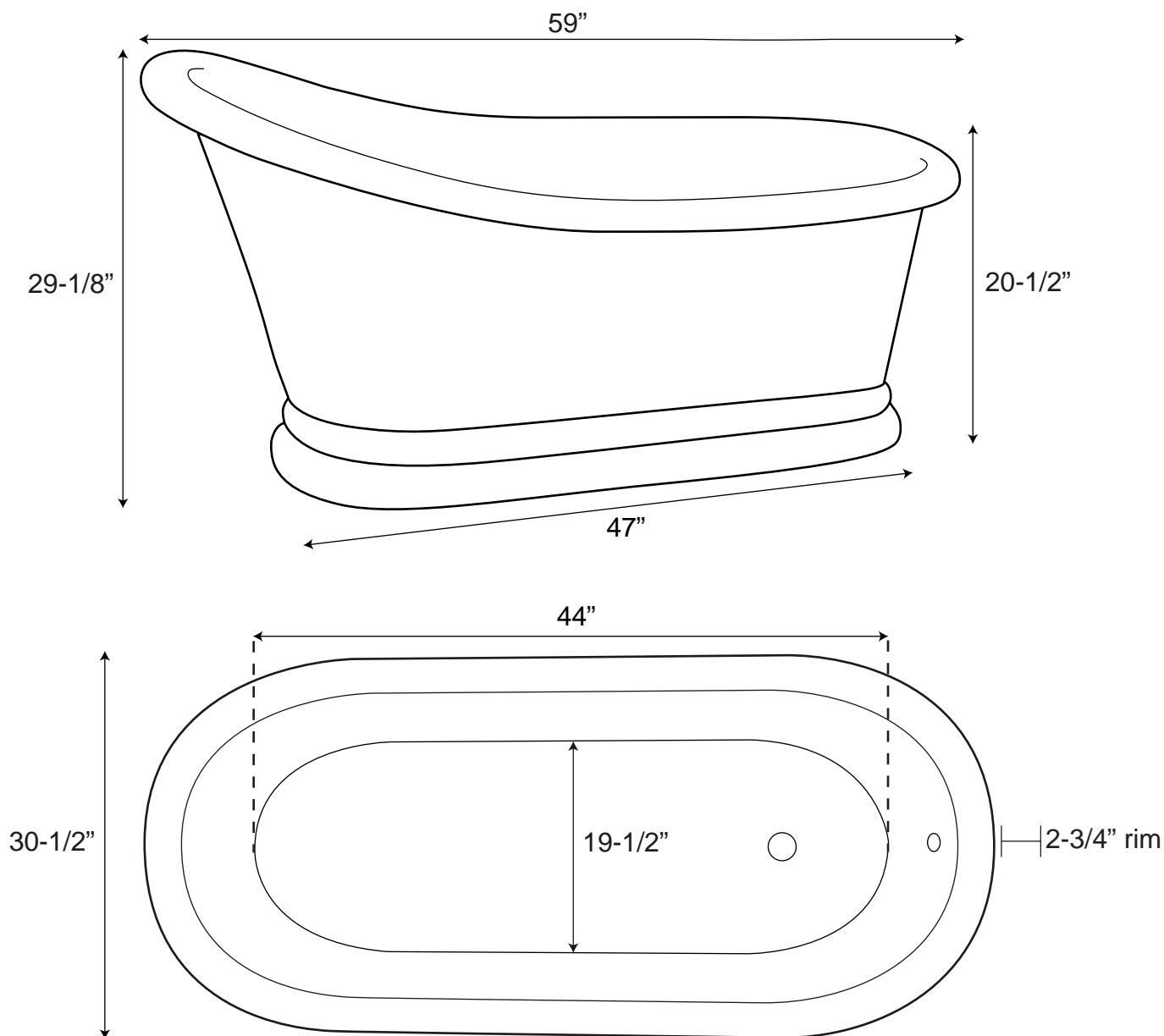


59" Paxton Hammered Copper Slipper Air Bath Tub on Plinth

Tub Dimensions: 59" L x 30-1/2" W x 29-1/8" - 20-1/2" H

Water Capacity: 50 Gallons

Tub Weight Uncrated: 100 lbs. Tub Weight Crated: 325 lbs.



Water depth is 13-1/2" to overflow.
All measurements are approximate.
Measurements may vary +/- 1/2".