

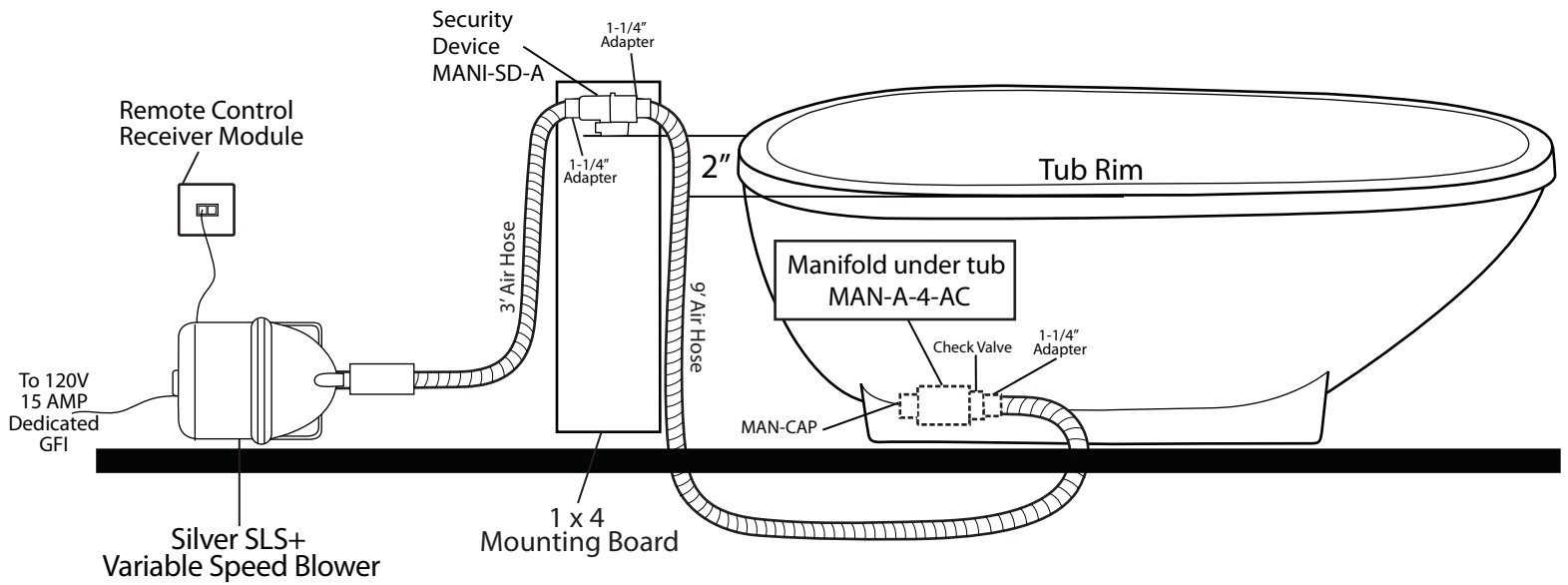
INSTALLATION INSTRUCTIONS

Presley Freestanding Acrylic Air Bath Tub

- Install so that the security device, MANI-SD-A, is at least 2" above tub rim.

Components List:

- BM-TWP Ball Check Valve Jets
- MANI-SD-A Security Device
- MAN-A-4-AC Manifold
- Silver SLS+ Variable Speed Blower



Inside of Bath

Features:

- (12) Maxi Air Jets with 24 openings



Elbows for air jets

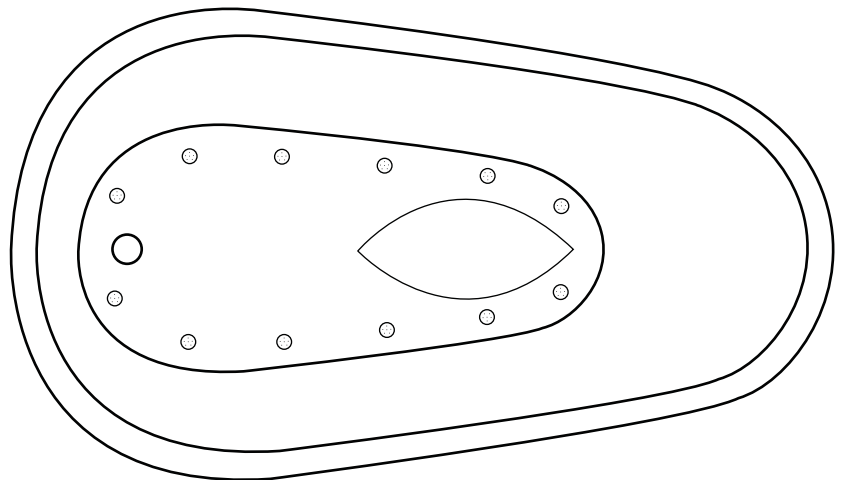


Tees for air jets

- Remote Control CG+/RTC-SENSOR-WP



12-15 year battery life

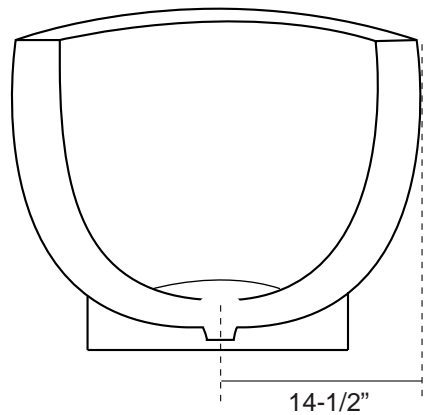
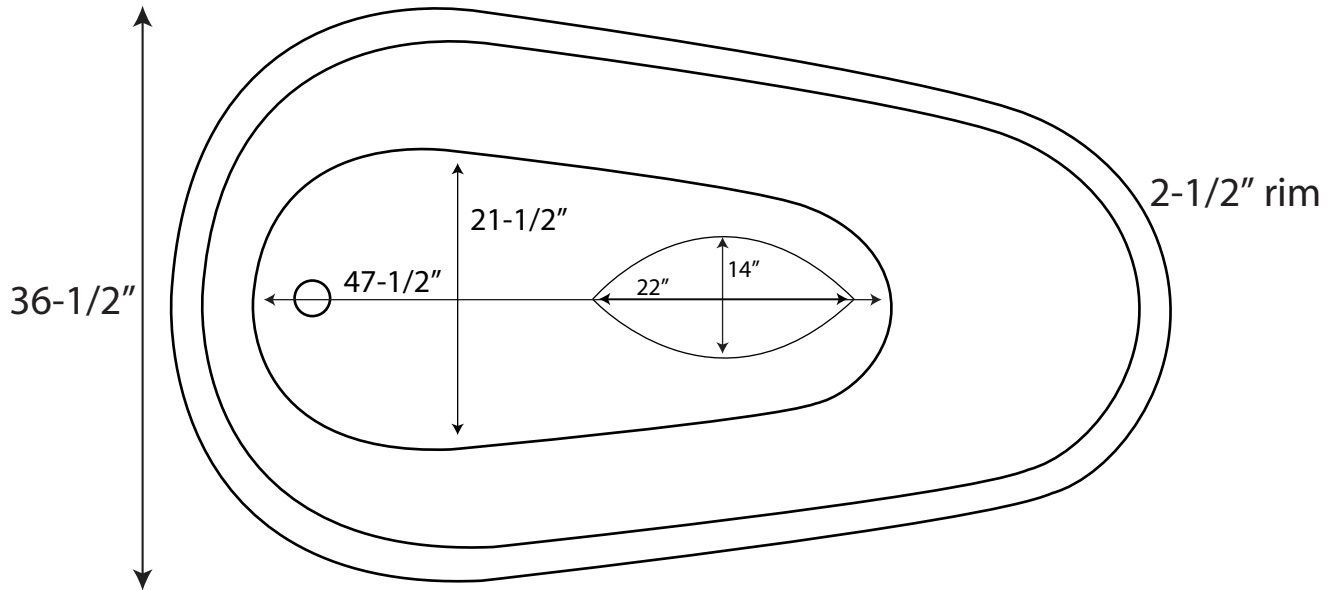
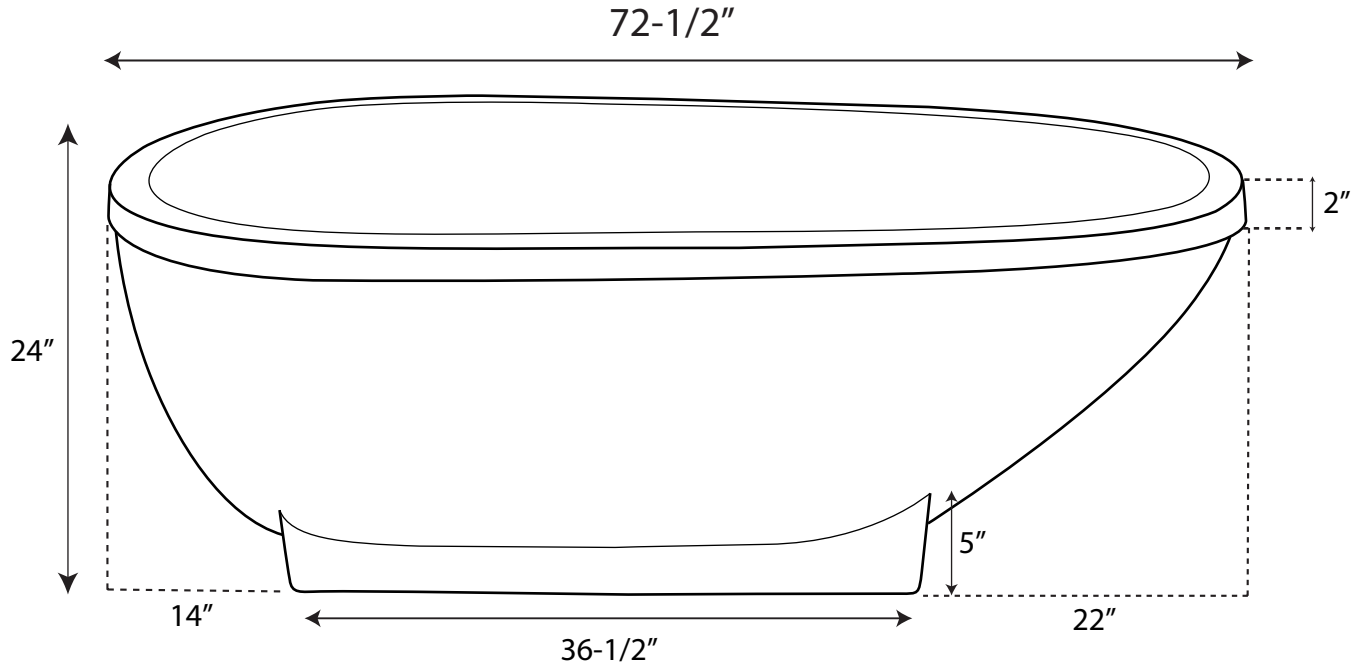


Presley Freestanding Acrylic Air Bath Tub

Tub Dimensions: 72-1/2" L x 36-1/2" W x 24" H.

Tub water capacity: 71 gallons to the top of tub.

Tub weight uncrated: 111 lbs. Tub weight crated: 336 lbs.



Water depth is 16" to the top of tub.
All measurements are approximate.
Measurements may vary +/- 1/2".