

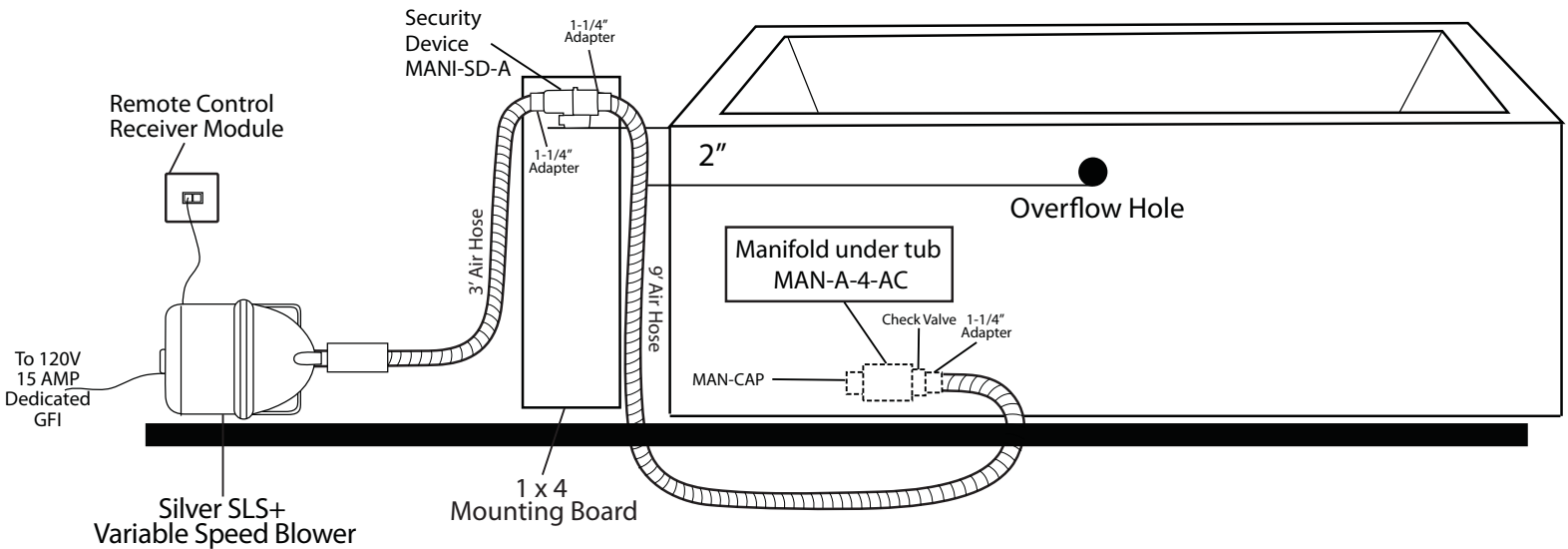
# INSTALLATION INSTRUCTIONS

## Ulro Rectangular Freestanding Copper Air Bath Tub with Nickel Interior

- Install so that the security device, MANI-SD-A, is at least 2" above the bottom of the overflow hole.

### Components List:

- BM-TWP Ball Check Valve Jets
- MANI-SD-A Security Device
- MAN-A-4-AC Manifold
- Silver SLS+ Variable Speed Blower



### Inside of Bath

#### Features:

- (12) Maxi Air Jets with 24 openings

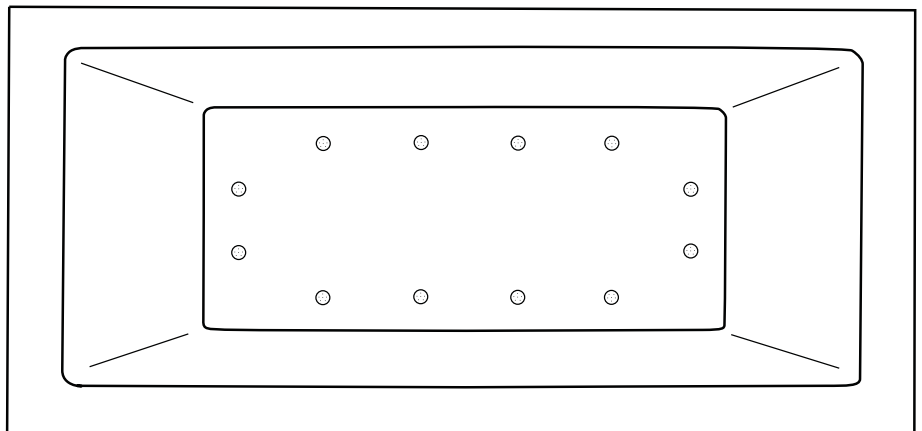


Elbows for air jets    Tees for air jets

- Remote Control CG+/RTC-SENSOR-WP



12-15 year battery life

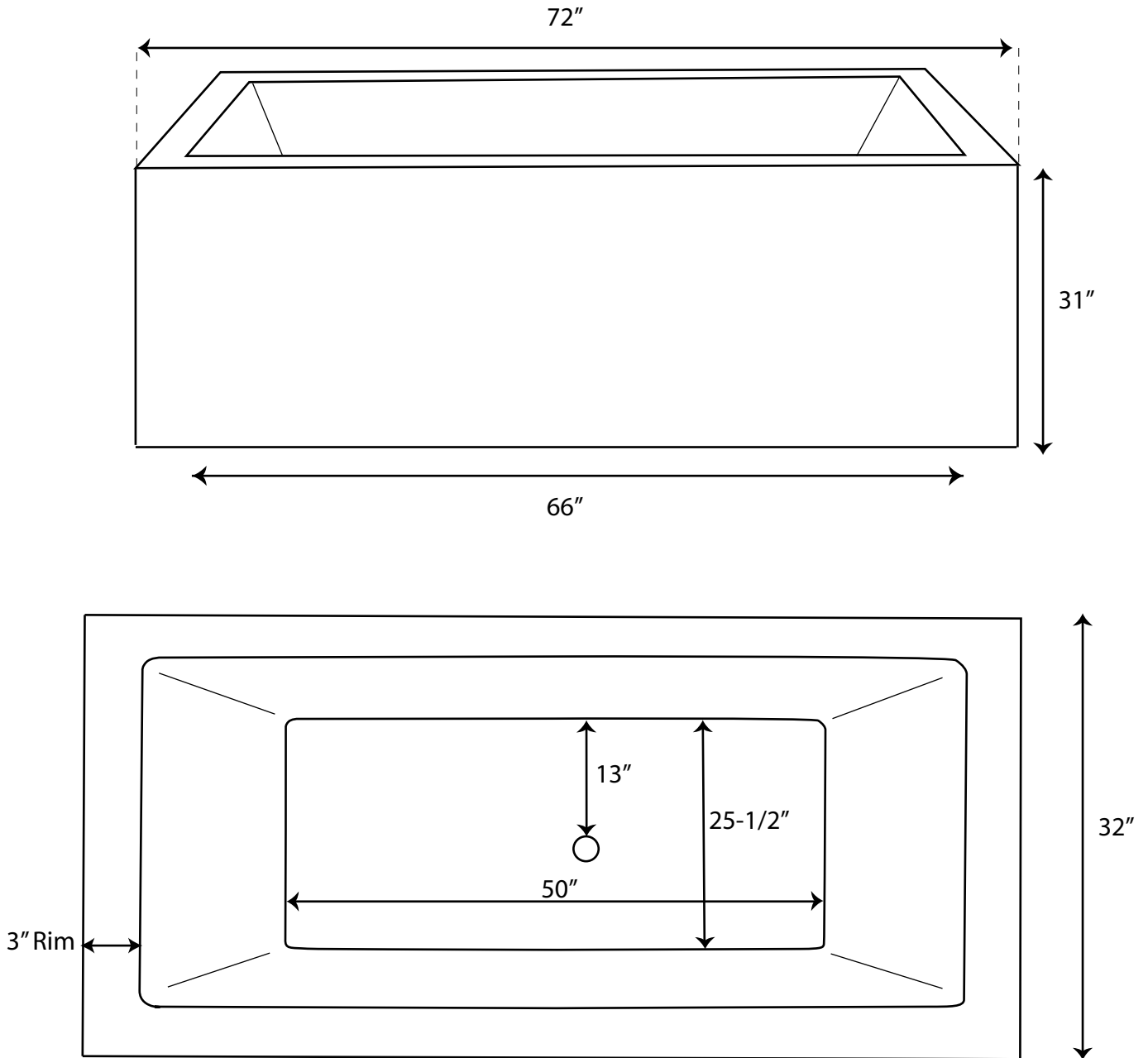


# Ulto Rectangular Freestanding Copper Air Bath Tub with Nickel Interior

Tub Dimensions: 72" L x 32" W x 22" H.

Tub Water Capacity: 77 gallons

Tub Weight Uncrated: 100 lbs. Tub Weight Crated: 325 lbs



Water depth to overflow is 14" H.

Overflow hole is 1-3/4" diameter.

Tub rim is 3" wide.

All measurements are approximate. Measurements may vary +/- 1/2".