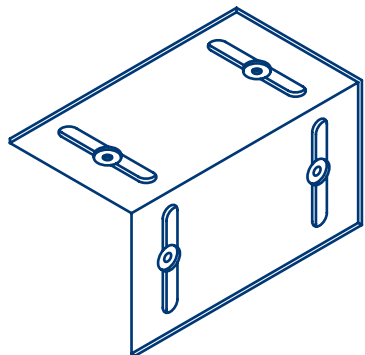



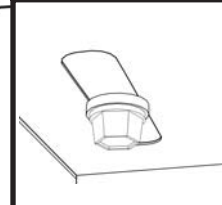
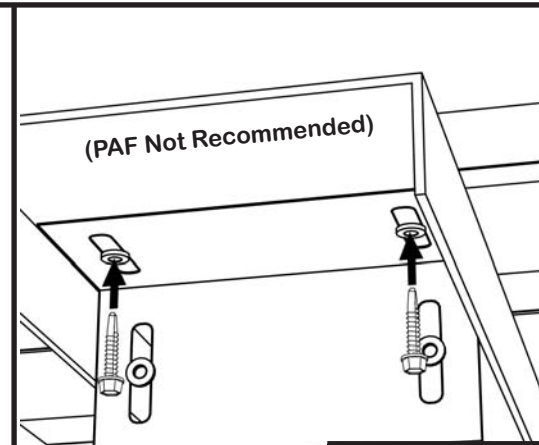
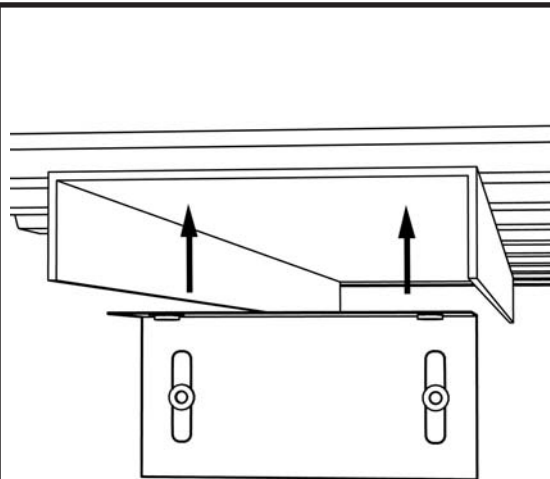
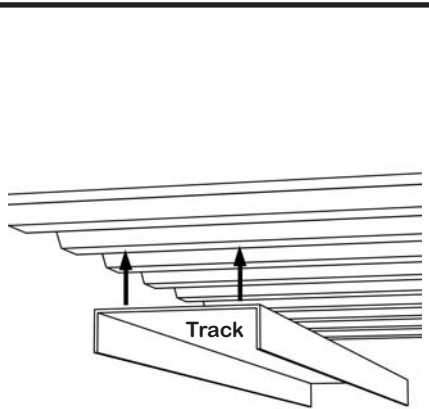
DriftClip® DSLD Installation Instructions

Vertical Deflection & Drift @ Head of Wall

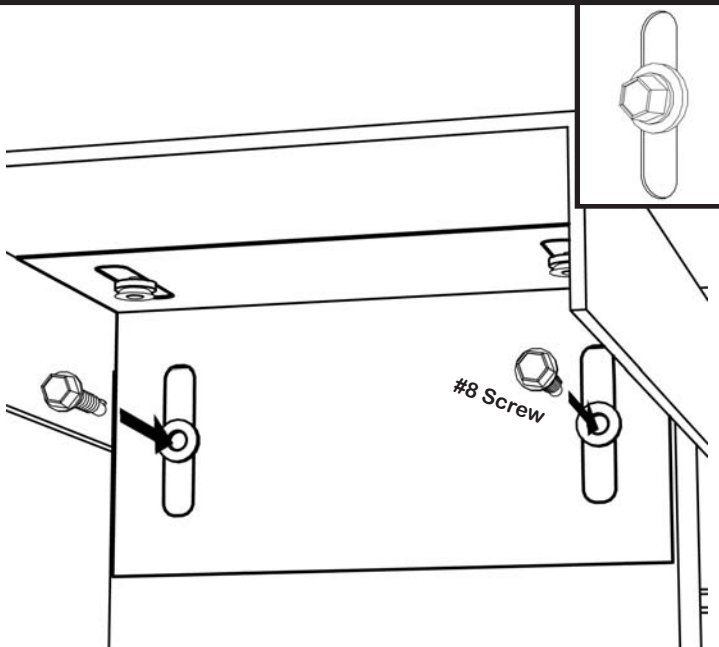
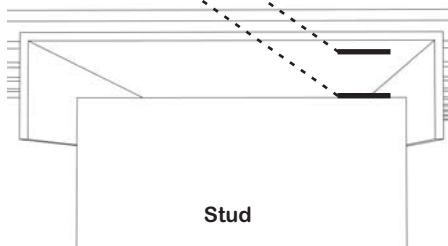


DriftClip® DSLD

 **Standard Step Bushing**
(Do not remove unless otherwise directed)



Deflection Gap



For Installation, Technical, or Submittal questions, contact TSN at (888) 474-4876.

Email us at tsn@steelnetwork.com.

Visit www.steelnetwork.com and discover the value of each TSN Solution.