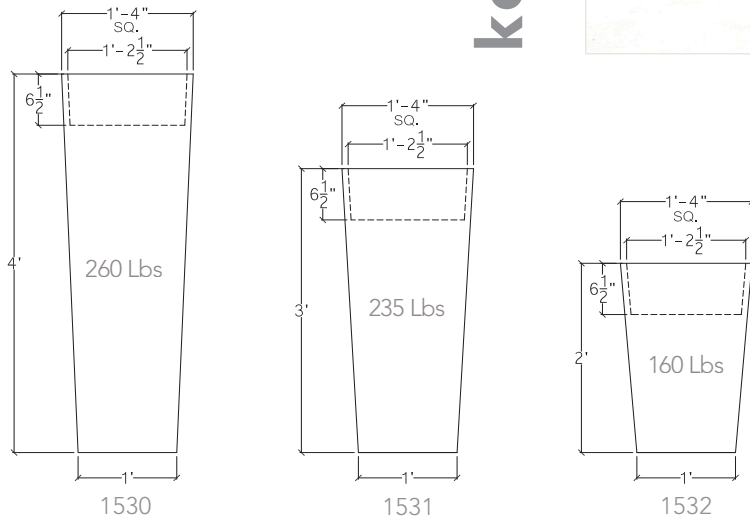


kenmare planters



STANDARD



Ordering Information



The Story

Used individually or as a set, these **Kenmare Planters** make the perfect planting accessory; they can also be adapted to a variety of uses, including water features, pedestal sinks or display pedestals.

Specifications

- Material: Concrete
- Weights: 160 - 260 Lbs.
- 8 Standard colors
- 8 Premium colors
- Lead time 4-6 weeks
- 5 Year Structural Warranty
- Wholesale and trade discounts available
- Qualifies for LEED points. Please contact Get Real Surfaces for further information.
- Contact Get Real Surfaces for complete warranty information, volume pricing and custom color options.

* See website or brochure for standard colors and designations. For custom colors provide sample or swatch for matching.