

C4013 and C4018 Commercial Recessed Compact Fluorescent Rough-In Installation Instructions

WARNING: Risk of electric shock! Disconnect power at fuse or circuit breaker before installing or servicing.

WARNING: Risk of fire! Do not install insulation within 3 inches (76mm) of any part of the luminaire (fixture) or in a way that may entrap heat.

Note: This fixture should be supported by main runners or other structure that is capable of supporting fixture weight of 10 lbs.

IMPORTANT SAFEGUARDS

When using electrical equipment, basic safety precautions should always be followed, including the following:

Read and follow All Safety Instructions

- 1 This unit is for recessed mounting only. Do not use in hazardous locations nor near gas or electric heaters.
- 2 Do not use this equipment for other than the intended use.
- 3 Install only in accordance with National Electrical Code and local regulatory agencies' requirements
- 4 **WARNING:** Installation and servicing to be performed only by qualified personnel. If not qualified, consult an electrician.

To Install Rough-In Section

- Step 1 Install fixture into ceiling cavity using 1/2" electrical conduit. Use 3/4" channel, 1 1/2" channel, 1/8" x 1/2" bar stock, or T-bar fasteners as mounting rails (furnished by others) by inserting them through hanger brackets at both ends.
- Step 2 Adjust hanger adjustment screws so bottom of plaster ring is flush with finished ceiling line. Hanger bracket is reversible for a total adjustment of 5".
- Step 3 Remove one of the junction box covers. Connect supply lead wires to lead wires of ballast per wiring diagram and in accordance with your local electrical code(s) or N.E.C.

To Install Trims

- Step 1 Adjust the two springs as shown in illustrations at right. Refer to corresponding Spring Setting Chart for proper adjustment.
- Step 2 Attach trim to socket assembly with (2) screws through keyslots.

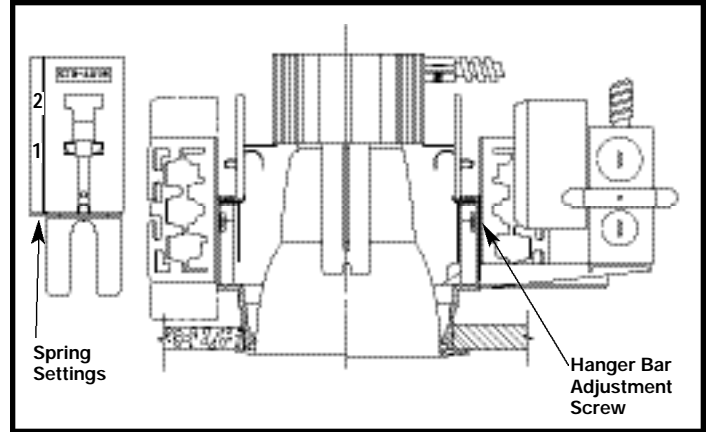
To Clean Trims

- Step 1 Gently wipe with a soft, clean, dry lint-free cloth to remove dust.
- Step 2 Wipe with a mild detergent solution on a soft, clean cloth to remove fingerprints and stains.
- Step 3 Rinse with clean, soft water and dry with lint-free cloth.

Note for Wall Wash Installation

Housing is to be installed with one of (4) sides (A,B,C,D) facing the wall. Wall wash trims can be oriented with stepped reflector facing wall. Use secondary screws supplied with trim for alternate orientation. It may be necessary to fully tighten screws on housing first. Install screws 180° apart.

Save These Instructions



Spring Setting Chart

Fixture	Trim	Lamp	Setting
C4013	4080/1	13W Quad	2
	4050/1	13W Quad	1
	4010/1	13W Quad	1
	4020/1	13W Quad	1
C4018	4030/1	13W Quad	1
	4080/1	18W Triple	2
	4050/1	18W Triple	1
	4010/1	18W Triple	1
	4020/1	18W Triple	1
	4030/1	18W Triple	1

