

## DESCRIPTION

Low brightness 4-1/2" aperture lensed reflector for use with 18W and 26W compact fluorescent lamps for below ceiling installation. The deeply regressed lens provides superb shielding to eliminate brightness at higher angles. Choice of lenses for various aesthetics. Standard features include low iridescent finish on all reflector colors (to eliminate "rainbowing") and venting to ensure maximum lamp life and lumen output. The modular housing will also accept various downlight and wall wash reflectors.

|                    |  |             |
|--------------------|--|-------------|
| <b>Catalog #</b>   |  | <b>Type</b> |
| <b>Project</b>     |  |             |
| <b>Comments</b>    |  | <b>Date</b> |
| <b>Prepared by</b> |  |             |

## SPECIFICATION FEATURES

### Reflector

.050 thick aluminum, in a one piece spun macrofocal parabolic contour, available in a variety of Alzak® finishes. Also available with white or black baffle. Positive reflector mounting pulls trim tight

### Lens

Choice of tempered fresnel, prismatic, diffuse, or clear glass lenses or molded prismatic acrylic, opal diffuser or clear UV stabilized acrylic. Lens is fixed to lower reflector.

### Trim Ring Options

Self flanged or molded white trim ring.

### Socket Connector

One piece vented and finned die cast aluminum cap for maximum thermal performance.

### Housing Construction

Galvanized steel plaster ring accommodates up to 1" ceiling thickness.

### Conduit Fittings

Die cast screw tight connectors.

### Socket

4-pin 18W GX24q2 or 26W GX24q3 base with fatigue free stainless steel lamp spring ensures positive lamp retention.

### Electronic Ballast

Electronic ballast provides full light output and rated lamp life. Provides flicker free and noise free operation and starting. End of lamp life protection is standard.

### Labels

cULus listed, standard wet label, IBEW union made.

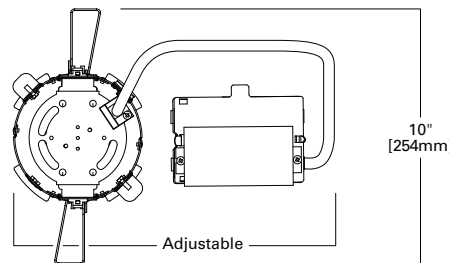
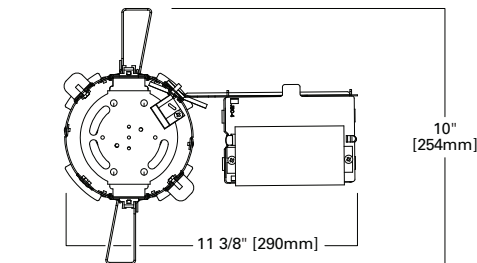
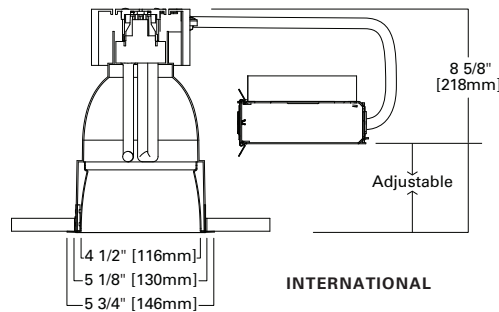
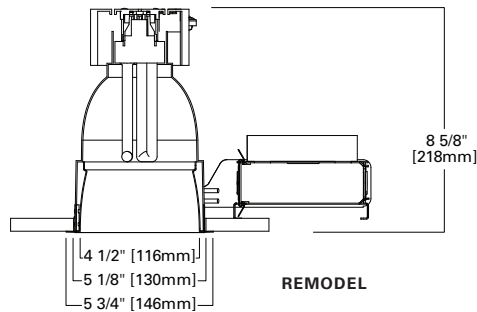


## C4RV or C4IV

### 4080/4081

18W or 26W TTT  
Compact Fluorescent

4-Inch  
Remodel/International  
Vertical Lensed Downlight



| Energy Data                             |                 |
|---|-----------------|
| Sound Rating: Class A standards         |                 |
| <b>18W Triple 4-pin</b>                 |                 |
| Ballast: Electronic                     |                 |
| Min. Starting Temperature: -10°C (15°F) |                 |
| 120V Input Watts: 29                    | Line Amps: 0.25 |
| 277V Input Watts: 26                    | Line Amps: 0.09 |
| Power Factor: >0.99                     | THD: <90%       |
| <b>26W Triple 4-pin</b>                 |                 |
| Ballast: Electronic                     |                 |
| Min. Starting Temperature: -10°C (15°F) |                 |
| 120V Input Watts: 29                    | Line Amps: 0.25 |
| 277V Input Watts: 26                    | Line Amps: 0.09 |
| Power Factor: >0.99                     | THD: <90%       |

Example:

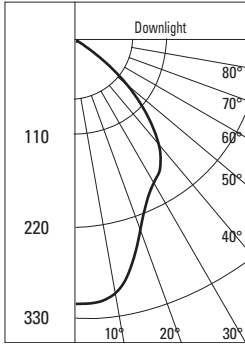
**C4RV018ECP 4081LI WF = 4" CFL Vertical Remodel Lensed Downlight, 18 Watt Triple Tube 120/277 Volt, Chicago Plenum, Self Flanged with Specular Clear Finish**

| Housing  | Wattage                      | Ballast   | Options  | Reflector   | Lens  | Finish   | Option  | Accessories   |
|--|------------------------------|---|--|---|---|--|---|---|
| C4RV0 = 4" CFL Vertical Remodel<br>C4RV0 = 4" CFL Vertical International | 18 = 18W TTT<br>26 = 26W TTT | E = 120/277V 50/60 Hz Electronic<br>3E = 347V 50/60 Hz Electronic<br>D = 120-277V Dimming, Lutron EcoSystem | CP = Chicago Plenum<br>EM = Emergency Module with Remote Test Switch | 4081 = Downlight Lensed Reflector, Self Flanged<br>4080 = Downlight Lensed Reflector, Polymer Trim Ring | LI = Specular Clear<br>H = Semi-Specular Clear<br>WMH = Warm Haze<br>G = Specular Gold<br>WH = Wheat<br>WHH = Wheat Haze<br>GP = Graphite<br>GPH = Graphite Haze<br>CC = Chocolate<br>CCH = Chocolate Haze<br>K = Cognac<br>KH = Cognac Haze<br>B = Specular Black<br>W = Gloss White<br>BB = Black Baffle (4080 only)<br>WB = White Baffle (4080 only) | 1 = Prismatic Lens<br>2 = Diffuse Lens<br>3 = Clear Lens<br>1G = Prismatic Glass<br>2G = Diffuse Glass<br>3G = Clear Glass<br>4G = Fresnel Glass | WF = White painted flange (self flanged only) | TRM4 = Metal Trim Ring, Specify Finish <sup>1</sup><br>TRR4 = Rimless Trim Ring <sup>1</sup><br>FK5 = 5 Amp Field Installable Fuse Kit 300V Max |

**Notes:** 1 Order trim with polymer trim ring  
(Consult specification sheet for ordering information and options).

**PHOTOMETRICS**

**Candlepower Distribution Curve**



Test No. H21335  
 C4RV 4080L14G  
 Lamp = 26W TTT  
 Spacing Criterion = 0.9  
 Efficiency = 24.3%

**Cone of Light**

| Distance<br>Fixture to<br>Lighted Plane | Initial<br>Footcandles<br>at Nadir | Beam<br>Diameter |
|---|------------------------------------|------------------|
| 4'0"                                    | 19                                 | 3'6"             |
| 6'0"                                    | 9                                  | 5'6"             |
| 7'0"                                    | 6                                  | 6'6"             |
| 8'0"                                    | 5                                  | 7'6"             |
| 9'0"                                    | 4                                  | 8'0"             |
| 10'0"                                   | 3                                  | 9'0"             |