

## DESCRIPTION

Low brightness 6" aperture downlight for use with 26W, 32W or 42W Triple Tube 4-pin compact fluorescent lamp. The lensed reflector provides superior shielding. Reflector trim eliminates brightness at higher angles. Standard features include low iridescent finish on all reflectors. Venting ensures maximum lamp life and lumen output. Open downlight, lens, and open wall wash trims are interchangeable within the same housing.

Catalog #		Type
Project		
Comments		Date
Prepared by		

## SPECIFICATION FEATURES

### A ... Reflector

Clear upper Alzak® reflector for maximum light output. Positive reflector mounting, without tools, pulls trim tight to ceiling. Lower spun parabolic reflector, .050 thick aluminum available in a variety of Alzak® finishes.

### B ... Lens

Choice of tempered fresnel, prismatic, diffuse, or clear glass lenses or molded prismatic acrylic, opal diffuser or clear UV stabilized acrylic. Lens is fixed to lower reflector.

### C ... Socket Connector

One piece die cast aluminum connection allows venting for maximum thermal performance.

### D ... Housing Mounting Frame

One piece precision die cast aluminum 1-1/2" deep collar accommodates varying dimensions of ceiling materials.

### E ... Universal Mounting Bracket

Accepts 1/2" EMT, C Channel, T bar fasteners, and bar hangers. Adjusts 5" vertically from above or below ceiling.

### F ... Conduit Fittings

Die cast screw tight connectors.

### G ... Junction Box

Listed for eight #12AWG (four in, four out) 90°C conductors feed through branch wiring.

1/2" and two 3/4" pry outs. Positioned to allow straight conduit runs. Access to junction box by removing reflector.

### H ... Socket

4 pin GX24q3/4 base with fatigue free stainless steel lamp spring ensures positive lamp retention.

### I ... Electronic Ballast

Electronic ballast provides full light output and rated lamp life. Provides flicker free and noise free operation and starting. End of lamp life protection is standard.

### Labels

cULus listed, Wet label.



## C6142 6181/80

**26W, 32W, 42W TTT**  
Compact Fluorescent

### 6" LENSED DOWNLIGHT

#### ENERGY DATA

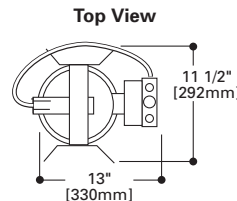
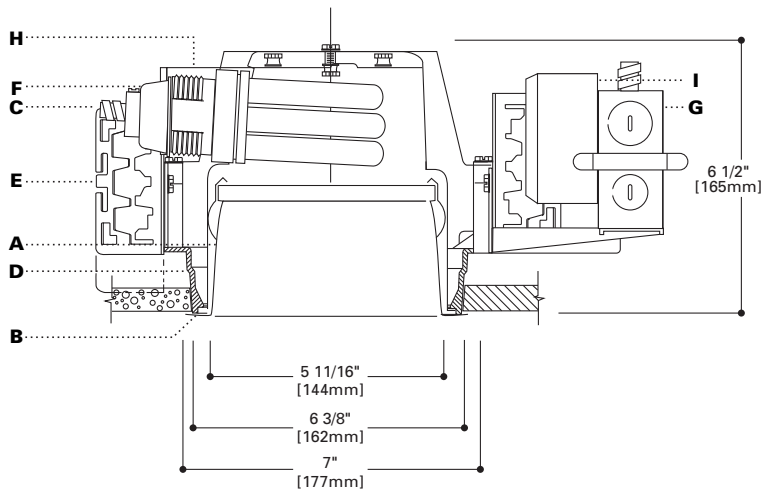
**26W Triple 4-pin**  
Ballast: Electronic  
120V Input Watts: 29, Line Amps: 0.25  
277V Input Watts: 29, Line Amps: 0.10  
Power Factor: >.99, THD: <10%  
Min Starting Temp.: -10°C (15°F)  
Sound Rating: A

**32W Triple 4-pin**  
Ballast: Electronic  
120V Input Watts: 36, Line Amps: 0.32  
277V Input Watts: 36, Line Amps: 0.16  
Power Factor: >.99, THD: <10%  
Min Starting Temp.: -10°C (15°F)  
Sound Rating: A

**32W Triple 4-pin**  
Ballast: Dimming  
120V Input Watts: 38, Line Amps: 0.31  
277V Input Watts: 37, Line Amps: 0.13  
Power Factor: >.95, THD: <20%  
Min Starting Temp.: 10°C (50°F)  
Sound Rating: A

#### NOTES:

Accessories should be ordered separately. For additional options please consult your Cooper Lighting Representative. Alzak is a registered trademark of Aluminum Company of America. Hi-Lume is a registered trademark of Lutron Electronics Co. Inc.



## ORDERING INFORMATION

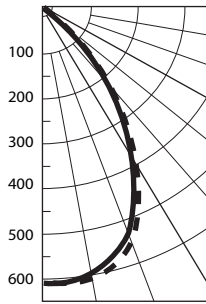
Sample Number: Complete unit consists of housing, ballast and trim.

<p><b>Housing</b> C6 = 6" Horizontal Lamp</p> <p><b>Number of Lamps</b> 1 = 1 Lamp</p> <p><b>Wattage</b> 42 = 26W, 32W, or 42W TTT Lamp</p>	<p><b>Ballast</b> E=120/277V 50/60 Hz Electronic 3E=347V 50/60 Hz Electronic 1D26 =26W 120V Dimming, Lutron Compact SE 2D26 =26W 277V Dimming, Lutron Compact SE 1D32 =32W 120V Dimming, Lutron Compact SE 2D32 =32W 277V Dimming, Lutron Compact SE 1D42 =42W 120V Dimming, Lutron Compact SE 2D42 =42W 277V Dimming, Lutron Compact SE EDR26 = 26W Max EDR32 =32W Max</p>	<p><b>Options</b> CP =Chicago Plenum EM= Emergency Module with remote test switch</p> <p><b>Trims</b> Trims 6181 =Lensed Downlight Self Flanged Reflector 6180 =Reflector, Molded Trim Ring</p>	<p><b>Finish</b> LI=Low Iridescent Clear H=Haze WMH=Warm Haze G=Gold WH=Wheat WP=Gloss White GP=Graphite GPH=Graphite Haze K=Cognac KH=Cognac Haze BB=Black Baffle (6180 only) WB=White Baffle (6180 only)</p>	<p><b>Lens</b> 1=Prismatic Lens 2=Diffuse Lens 3=Clear Lens 1G=Prismatic Glass 2G=Diffuse Glass 3G=Clear Glass 4G=Fresnel Glass</p> <p><b>Option</b> WF=White Painted Flanged (Self-Flanged only)</p>	<p><b>Accessories</b> HB26 =C Channel Bar Hangers, 26" Long, Pair HB50 =C Channel Bar Hangers, 50" Long, Pair FK5 =5 Amp Field Installable Fuse Kit 300V Max RMB-22 =Wood Joist Bar Hanger, 22" Long, Pair HSA6 =Slope Adapter for 6" Aperture Housings, Specify Slope</p>
---	---	---	--	---	--

**Specifications and Dimensions subject to change without notice.**

Consult your representative for additional options and finishes.

**Candlepower Distribution**



Test No. H22211  
**C6132 6180L11**  
**Specular Reflector with Prismatic Lens**  
 Lamp=32W TTT  
 Lumens=2400  
 Spacing Criteria= 0°=1.1, 90°=1.1  
 Efficiency=38.0%

**Candlepower**

Deg.	CD 0°	90°
0	613	613
5	621	625
15	608	619
25	516	539
35	336	354
45	158	184
55	73	78
65	30	26
75	0	0
85	0	0
90	0	0

**Average Luminance**

Deg.	CD/SQ M 0°	90°
45	13615	15813
55	7766	8318
65	4340	3691
75	0	0
85	0	0

**Cone of Light**

Distance to Illuminated Plane	Initial Nadir Footcandles	Beam Diameter
5'6"	20	6'0"
6'6"	15	7'6"
8'0"	10	9'0"
10'0"	6	11'6"
12'0"	4	13'6"
14'0"	3	16'0"

Beam diameter is to 50% of maximum footcandles, rounded to the nearest half-foot.

Footcandle values are initial, apply appropriate light loss factors where necessary.

<b>Lamp Multiplier</b> 26W TTT=.79	<b>Reflector Multiplier:</b> Haze=.95 Straw=.9 Wheat=.9	<b>EM Multiplier (In emergency mode):</b> EM=.27
---------------------------------------	--	---

**Zonal Lumen Summary**

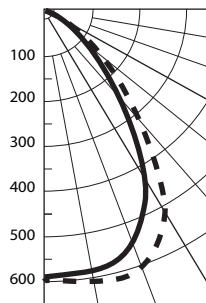
Zone	Lumens	%Lamp	%Luminaire
0-30	463	19.3	50.7
0-40	674	28.1	73.9
0-60	876	36.5	96.0
0-90	912	38.0	100.0
90-180	0	0.0	0.0
0-180	912	38.0	100.0

**Coefficient of Utilization**

rc	80%				70%			50%		30%		10%		0%
	70	50	30	10	50	30	10	50	10	50	10	50	10	0
<b>RCR</b>														
0	45	45	45	45	44	44	44	42	42	40	40	39	39	38
1	43	42	41	40	41	40	39	39	38	38	37	37	36	35
2	41	39	37	36	38	37	35	37	35	36	34	35	33	32
3	38	36	34	32	35	33	32	34	31	33	31	32	30	30
4	36	33	31	29	33	31	29	32	29	31	28	30	28	27
5	34	31	28	27	30	28	26	30	26	29	26	28	26	25
6	32	28	26	24	28	26	24	28	24	27	24	27	24	23
7	30	26	24	22	26	24	22	26	22	25	22	25	22	21
8	28	24	22	20	24	22	20	24	20	23	20	23	20	19
9	27	23	20	18	22	20	18	22	18	22	18	21	18	18
10	25	21	19	17	21	19	17	21	17	20	17	20	17	16

rc=Ceiling reflectance, rw=Wall reflectance, RCR=Room cavity ratio  
 CU Data Based on 20% Effective Floor Cavity Reflectance.

**Candlepower Distribution**



Test No. H22215  
**C6132 6180L11**  
**Specular Reflector with Prismatic Lens**  
 Lamp=32W PLT  
 Lumens=2400  
 Spacing Criteria= 0°=1.1, 90°=1.2  
 Efficiency=39.8%

**Candlepower**

Deg.	CD 0°	90°
0	594	594
5	591	596
15	588	609
25	506	559
35	344	394
45	164	200
55	76	83
65	32	29
75	0	0
85	0	0
90	0	0

**Average Luminance**

Deg.	CD/SQ M 0°	90°
45	14115	17243
55	8042	8796
65	4628	4196
75	0	0
85	0	0

**Cone of Light**

Distance to Illuminated Plane	Initial Nadir Footcandles	Beam Diameter
5'6"	20	6'6"
6'6"	14	8'0"
8'0"	9	9'6"
10'0"	6	12'0"
12'0"	4	14'6"
14'0"	3	17'0"

Beam diameter is to 50% of maximum footcandles, rounded to the nearest half-foot.

Footcandle values are initial, apply appropriate light loss factors where necessary.

<b>Lamp Multiplier</b> 26W PLT=.70	<b>Reflector Multiplier:</b> Haze=.95 Straw=.9 Wheat=.9	<b>EM Multiplier (In emergency mode):</b> EM=.27
---------------------------------------	--	---

**Zonal Lumen Summary**

Zone	Lumens	%Lamp	%Luminaire
0-30	468	19.5	49.0
0-40	699	29.1	73.2
0-60	917	38.2	96.1
0-90	955	39.8	100.0
90-180	0	0.0	0.0
0-180	955	39.8	100.0

**Coefficient of Utilization**

rc	80%				70%			50%		30%		10%		0%
	70	50	30	10	50	30	10	50	10	50	10	50	10	0
<b>RCR</b>														
0	47	47	47	47	46	46	46	44	44	42	42	41	41	40
1	45	44	43	42	43	42	41	41	40	40	39	37	37	40
2	43	40	39	37	40	38	37	39	36	37	35	36	35	34
3	40	37	35	34	37	35	33	36	33	35	32	34	32	31
4	38	35	32	30	34	32	30	33	30	32	30	32	29	29
5	36	32	29	28	32	29	27	31	27	30	27	30	27	26
6	33	30	27	25	29	27	25	29	25	28	25	28	24	24
7	31	27	25	23	27	24	23	26	23	26	22	25	22	22
8	29	25	23	21	25	22	21	25	21	24	21	24	20	20
9	28	23	21	19	23	21	19	23	19	22	19	22	19	18
10	26	22	19	17	21	19	17	21	17	21	17	20	17	16

rc=Ceiling reflectance, rw=Wall reflectance, RCR=Room cavity ratio  
 CU Data Based on 20% Effective Floor Cavity Reflectance.