

DESCRIPTION

Low brightness 6" aperture reflector for use with (1 or 2) 18W or 26W Quad Tube 4-pin compact fluorescent lamps for below ceiling installation. The precisely formed non-imaging optical reflector ensures a maximum 55° cutoff to lamp and lamp image and the one piece design eliminates light leaks at the ceiling. Standard features include low iridescent finish on all reflector colors to eliminate "rainbowing" and venting to ensure maximum lamp life and lumen output. Optics offer unparalleled performance in glare free lighting with a smooth beam. Open downlight, lens, and open wall wash trims are interchangeable within the same housing.

Catalog #		Type
Project		
Comments		Date
Prepared by		

SPECIFICATION FEATURES

Reflector

.050 thick aluminum, in a one piece spun parabolic contour. Available in a variety of Alzak® finishes. Positive reflector mounting, without tools, pulls trim tight to ceiling. Also available with white or black baffle.

Trim Ring Options

Self flanged or molded white trim ring. Rimless metal trim ring accessories available.

Socket Connector

One piece die cast aluminum connection allows venting for maximum thermal performance.

Housing Construction

Galvanized steel plaster ring accommodates up to 1" ceiling thickness.

Conduit Fittings

Die cast screw tight connectors.

Rotary Lock Socket

26W lamps: 4-pin G24q3.
18W lamps: 4-pin G24q2 base.
Bases have fatigue free stainless steel lamp spring to ensure positive lamp retention.

Electronic Ballast

Electronic ballast provides full light output and rated lamp life. Provides flicker free and noise free operation and starting. End of lamp life protection is standard.

Labels

cULus listed, C.S.A. certified, standard damp label, IBEW union made.



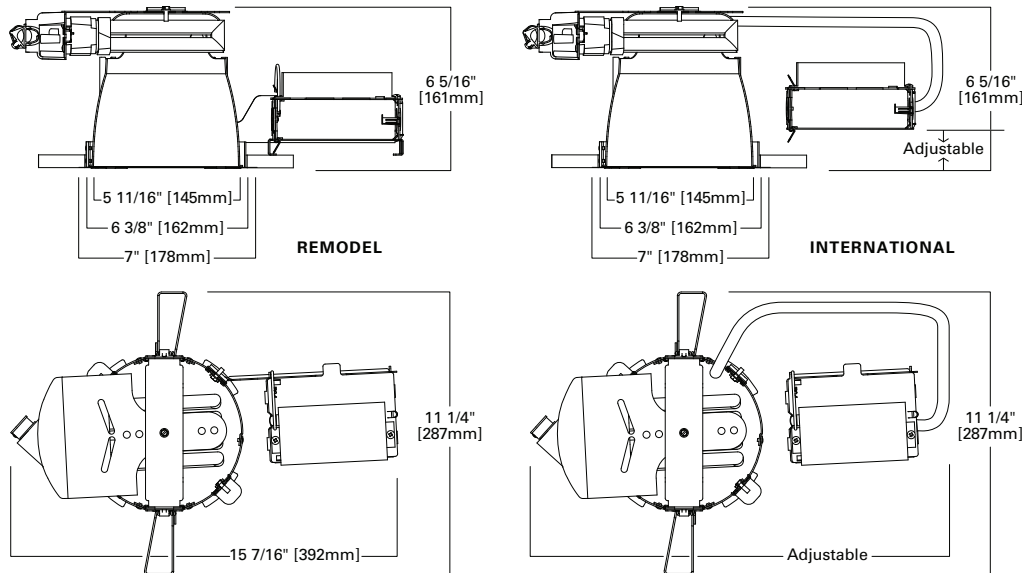
C6RH C6IH

6250/6251

(1 or 2) 18W or 26W DTT
Compact Fluorescent

6-Inch
Remodel/International
Horizontal Downlight

Energy Data	
Sound Rating: Class A standards	
(2) 18W Quad 4-pin	
Ballast: Electronic	
Min. Starting Temperature: -10°C (15°F)	
120V Input Watts: 37	Line Amps: 0.32
277V Input Watts: 37	Line Amps: 0.14
Power Factor: >0.99	THD: <10%
(2) 26W Quad 4-pin	
Ballast: Electronic	
Min. Starting Temperature: -10°C (15°F)	
120V Input Watts: 50	Line Amps: 0.45
277V Input Watts: 50	Line Amps: 0.20
Power Factor: >0.99	THD: <10%



Example:

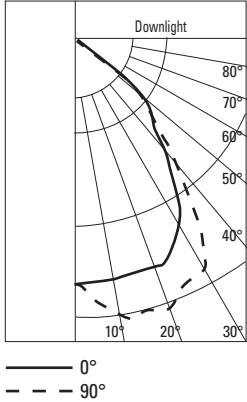
C6RH218ECP 6251LI WF = 6" CFL Remodel Downlight, (2) 18 Watt 120/277 Volt, Chicago Plenum, Self Flanged with Specular Clear Finish

Housing	Wattage	Ballast	Options	Reflector	Finish	Option	Accessories
C6RH = 6" CFL Horizontal Remodel C6IH = 6" CFL Horizontal International	218 = (2) 18W DTT 226 = (2) 26W DTT Remodel 118 = (1) 18W DTT 126 = (1) 26W DTT International	E = 120/277V 50/60 Hz Electronic 3E = 347V 50/60 Hz Electronic D = 120-277V Dimming, Lutron EcoSystem 2D = 277V Dimming, Lutron EcoSystem	CP = Chicago Plenum EM = Emergency Module with Remote Test Switch IEM = Emergency Module with Integral Test Switch	6251 = Downlight Reflector, Self Flanged 6250 = Downlight Reflector, Polymer Trim Ring 6251E = Downlight Reflector, Self Flanged, use with IEM 6250E = Downlight Reflector, Polymer Trim Ring use with IEM	LI = Specular Clear H = Semi-Specular Clear WMH = Warm Haze G = Specular Gold WH = Wheat WHH = Wheat Haze GP = Graphite GPH = Graphite Haze CC = Chocolate CCH = Chocolate Haze K = Cognac KH = Cognac Haze B = Specular Black W = Gloss White BB = Black Baffle (6250 only) WB = White Baffle (6250 only)	WF = White painted flange (self flanged only)	TRM6 = Metal Trim Ring, Specify Finish! TRR6 = Rimless Trim Ring! FK5 = 5 Amp Field Installable Fuse Kit 300V Max DT6 = Deco trim! ABR6P = Remodel Adaptor Ring for 7" OD ABR7P = Remodel Adaptor Ring for 8" OD ABR8P = Remodel Adaptor Ring for 9" OD

Notes: 1 Order trim with polymer trim ring
(Consult specification sheet for ordering information and options).

PHOTOMETRICS

Candlepower Distribution Curve



Test No. H22270
 C6RH218-6251LI
 Lamp = (2) 18W DTT
 Lumens = 1200 each
 Spacing Criteria: 0° = 1.2, 90° = 1.4
 Efficiency = 47.0%

Cone of Light

Distance Fixture to Lighted Plane	Initial Footcandles at Nadir	Beam Diameter
4' 6"	28	6' 0"
5' 6"	19	7' 0"
6' 6"	14	8' 6"
8' 0"	9	10' 6"
10' 0"	6	13' 0"
12' 0"	4	16' 0"

Zonal Lumen Summary

Zone	Lumens	%Fixture
0-30	520	46.1
0-40	818	72.5
0-60	1117	99.1
0-90	1127	100.0
90-180	0	0.0
0-180	1127	100.0

Luminance

Degrees	CD/SQ M	
	0°	90°
45	22060	24180
55	10613	10698
65	966	980
75	612	639
85	419	419

Candela Distribution

Degrees Vertical	Degrees	
	0°	90°
0	575	575
5	573	596
15	559	663
25	547	628
35	413	518
45	256	281
55	100	101
65	7	7
75	3	3
85	1	1
90	0	0

Beam diameter is to 50% of maximum footcandles, rounded to the nearest half-foot.

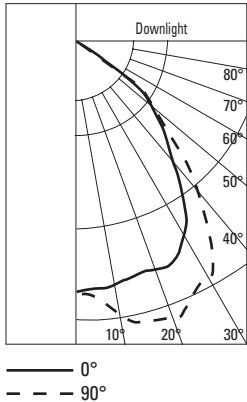
Footcandle values are initial, apply appropriate light loss factors where necessary.

Reflector Multiplier: Haze = .95
 Straw = .90
 Wheat = .90

EM Multiplier (in emergency mode): EM = .26

PHOTOMETRICS

Candlepower Distribution Curve



Test No. H22271
 C6RH226-6251LI
 Lamp = (2) 26W DTT
 Lumens = 1800 each
 Spacing Criteria: 0° = 1.3, 90° = 1.4
 Efficiency = 40.6%

Cone of Light

Distance Fixture to Lighted Plane	Initial Footcandles at Nadir	Beam Diameter
5' 6"	24	7' 6"
6' 6"	17	8' 6"
8' 0"	11	10' 6"
10' 0"	7	13' 6"
12' 0"	5	16' 0"
14' 0"	4	18' 6"

Zonal Lumen Summary

Zone	Lumens	%Fixture
0-30	663	45.3
0-40	1051	71.3
0-60	1449	99.1
0-90	1463	100.0
90-180	0	0.0
0-180	1463	100.0

Luminance

Degrees	CD/SQ M	
	0°	90°
45	30023	33056
55	13364	13842
65	1254	1298
75	800	824
85	489	489

Candela Distribution

Degrees Vertical	Degrees	
	0°	90°
0	732	732
5	728	759
15	702	846
25	699	806
35	545	660
45	348	384
55	126	130
65	9	9
75	3	4
85	1	1
90	0	0

Beam diameter is to 50% of maximum footcandles, rounded to the nearest half-foot.

Footcandle values are initial, apply appropriate light loss factors where necessary.

Reflector Multiplier: Haze = .95
 Straw = .90
 Wheat = .90

EM Multiplier (in emergency mode): EM = .18