

DESCRIPTION

Low brightness 6" aperture open wall wash for use with 18W Quad tube 4-pin lamp for below ceiling installation. The geometric reflector maximizes flux toward the wall and is spectrally neutral leaving the color temperature and color rendering unchanged. Available in single, double and corner wall wash versions. Standard features include low iridescent finish on all reflectors, electronic ballast and venting to ensure maximum lamp life and lumen output. Optics offer unparalleled performance with uniform illuminance on wall, no flashback, and glare-free downlighting. Open downlight and open wall wash trims are interchangeable within the same housing.

Catalog #		Type
Project		
Comments		Date
Prepared by		

SPECIFICATION FEATURES

Reflector

Injection molded Geometric Reflector for Uniform Vertical Illumination is vacuum metallized with polysiloxane hardcoat finish. One piece spun macrofocal parabolic downlight reflector, .050 thick aluminum, in a variety of Alzak® finishes. Positive reflector mounting pulls trim tight to ceiling.

Trim Ring Options

Self flanged or molded white trim ring. Rimless or metal trim ring accessories available.

Socket Connector

One piece vented and finned die cast aluminum cap for maximum thermal performance.

Housing Construction

Galvanized steel plaster ring accommodates up to 1" ceiling thickness.

Conduit Fittings

Die cast screw tight connectors.

Electronic Ballast

Electronic ballast provides full light output and rated lamp life. Provides flicker free and noise free operation and starting. End of lamp life protection is standard.

Labels

cULus listed, C.S.A. certified, standard damp label, IBEW union made.

Socket

4-pin G24q2 base with fatigue free stainless steel lamp spring ensures positive lamp retention.

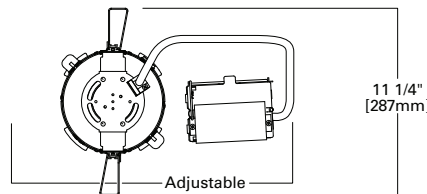
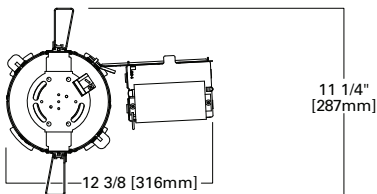
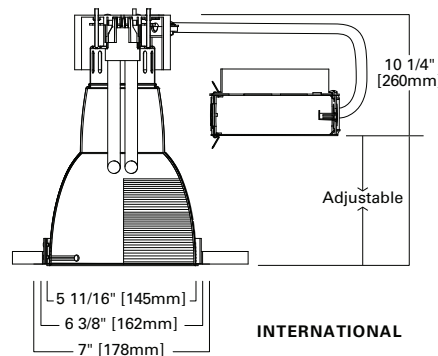
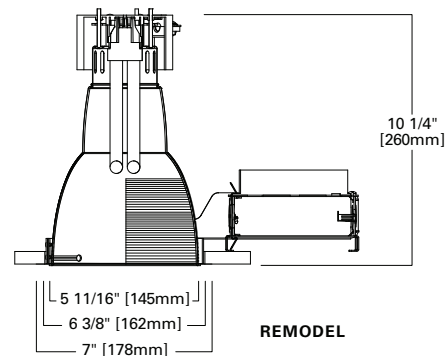


C6RV018
C6IV018

6010/6011
6020/6021
6030/6031

18W DTT
Remodel/International
Compact Fluorescent

6-Inch
Remodel/International
Vertical Open Wall Wash



Energy Data	
Sound Rating: Class A standards	
18W Triple 4-pin	
Ballast: Electronic	
Min. Starting Temperature: -10°C (15°F)	
120V Input Watts: 29	Line Amps: 0.25
277V Input Watts: 26	Line Amps: 0.09
Power Factor: >0.99	THD: <90%

Example:

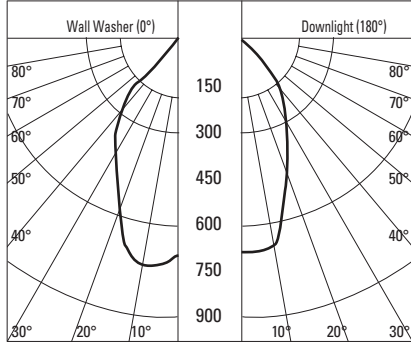
C6RV018ECP 6011LI WF = 6" CFL Vertical Remodel Single Wall Wash, (1) 18 Watt DTT lamp with 120/277 Volt, Chicago Plenum, Self Flanged with Specular Clear Finish

Housing	Ballast	Options	Reflector	Finish	Option	Accessories
<p>C6RV018 = 6" CFL Vertical Remodel, (1) 18W DTT</p> <p>C6IV018 = 6" CFL Vertical International, (1) 18W DTT</p>	<p>E = 120/277V 50/60 Hz Electronic</p> <p>3E = 347V 50/60 Hz Electronic</p> <p>D = 120-277V Dimming, Lutron EcoSystem</p>	<p>CP = Chicago Plenum</p> <p>EM = Emergency Module with Remote Test Switch</p> <p>IEM = Emergency Module with Integral Test Switch</p>	<p>6011 = Single Wall Wash, Self Flanged</p> <p>6010 = Single Wall Wash, Polymer Trim Ring</p> <p>6021 = Double Wall Wash, Self Flanged</p> <p>6020 = Double Wall Wash, Polymer Trim Ring</p> <p>6031 = Corner Wall Wash, Self Flanged</p> <p>6030 = Corner Wall Wash, Polymer Trim Ring</p>	<p>LI = Specular Clear</p> <p>H = Semi-Specular Clear</p> <p>WMH = Warm Haze</p> <p>G = Specular Gold</p> <p>WH = Wheat</p> <p>WHH = Wheat Haze</p> <p>GP = Graphite</p> <p>GPH = Graphite Haze</p> <p>CC = Chocolate</p> <p>CCH = Chocolate Haze</p> <p>K = Cognac</p> <p>KH = Cognac Haze</p> <p>B = Specular Black</p> <p>W = Gloss White</p>	<p>WF = White painted flange (self flanged only)</p>	<p>TRM6 = Metal Trim Ring, Specify Finish¹</p> <p>TRR6 = Rimless Trim Ring¹</p> <p>FK5 = 5 Amp Field Installable Fuse Kit 300V Max</p> <p>DT6 = Deco trim¹</p> <p>ABR6P = Remodel Adaptor Ring for 7" OD</p> <p>ABR7P = Remodel Adaptor Ring for 8" OD</p> <p>ABR8P = Remodel Adaptor Ring for 9" OD</p>

Notes: 1 Order trim with polymer trim ring (Consult specification sheet for ordering information and options).

PHOTOMETRICS

Candlepower Distribution Curve



Test No. H22201
 C6RV018 6010LI
 Lamp = 18W DTT
 Lumens = 1250
 Efficiency = 50.0%

Candela Distribution

Degrees Vertical	0°	180°
0	682	682
5	673	726
15	464	592
25	299	381
35	202	250
45	113	69
55	59	2
65	31	1
75	16	0
85	0	0
90	0	0

Luminance

Degrees Vertical	CD/SQ M	
	0°	180°
45	9772	5929
55	6268	181
65	4398	115
75	3649	0
85	0	0

Single Unit Foot-candles

Multiple Unit Foot-candles

DD	2'6" from wall <i>(distance from fixture along wall)</i>							2' from wall <i>(spacing between fixtures)</i>				2'6" from wall <i>(spacing between fixtures)</i>				3' from wall <i>(spacing between fixtures)</i>									
	1'	2'	3'	4'	5'	6'	7'	2'	4'	6'	8'	3'	4'	6'	8'	3'	4'	6'	8'						
1	3	2	1	0	0	0	0	9	9	9	6	3	6	4	4	4	3	2	3	3	3	2	2	2	
2	6	4	2	1	0	0	0	15	14	15	10	5	10	7	7	7	6	5	6	5	5	5	4	4	4
3	7	5	3	1	0	0	0	16	16	16	10	6	10	9	8	9	7	5	7	7	6	7	5	4	5
4	5	5	3	2	1	0	0	13	14	13	7	6	7	9	8	9	7	6	7	7	7	7	6	5	6
5	4	4	3	2	1	0	0	11	11	11	6	6	6	7	8	7	6	5	6	7	7	7	5	5	5
6	3	3	2	2	1	1	0	8	9	8	5	5	5	6	6	6	5	5	5	6	6	6	5	5	5
7	2	2	2	1	1	1	0	7	7	7	4	4	4	5	5	5	4	4	4	5	5	5	4	4	4
8	2	2	1	1	1	1	0	5	5	5	3	3	3	4	4	4	4	4	4	4	4	4	4	4	4
9	1	1	1	1	1	1	0	4	4	4	3	3	3	4	4	4	3	3	3	4	4	4	3	3	3
10	1	1	1	1	1	1	0	3	3	3	2	2	2	3	3	3	3	3	3	3	3	3	3	3	3

Notes:

- Illuminance values for multiple fixtures are based upon the center two units of a four unit array. Footcandle values are centerline of fixtures and centered between fixtures.
 - Illuminance values are cosine corrected initial values with no contribution from inter reflections from other room surfaces. Total illumination may increase from contributions from other surfaces.
 - Changing fixture spacing will affect illuminance level.
- $$\text{New } F_c = \frac{\text{Existing Spacing}}{\text{New Spacing}} \times \text{Average Table } F_c \text{ Level}$$
- When selecting colored cones option, only downlight cone is colored; the wall wash reflector is specular clear. This allows the color (CRI, °K) of the light source to be unaffected and maximizes lumen output.

