

**DESCRIPTION**

Low brightness 5-11/16" aperture open wall wash for use with 18W Quad Tube 4-pin compact fluorescent lamp for below ceiling installation. Available in single, double and corner wall wash versions. Standard features include low iridescent finish on all reflectors and venting to ensure maximum lamp life and lumen output. Optics offer unparalleled performance with uniform illuminance on wall, no flashback, and glare-free downlighting. Open downlight and open wall wash trims are interchangeable within the same housing.

**PORTFOLIO™**

<b>Catalog #</b>		<b>Type</b>
<b>Project</b>		
<b>Comments</b>		<b>Date</b>
<b>Prepared by</b>		

**SPECIFICATION FEATURES**

**Reflector**

Full spinning Gradient Kicker provides high levels of vertical illumination, protects reflector integrity and achieves superior sealed design. Airflow travels through downlight cone neck for optimum lamp cooling. One piece spun Quiet Cone downlight reflector of .050 thick aluminum, available in a variety of Alzak® finishes. Positive reflector mounting pulls self-flanged trim tight to ceiling.

**Trim Ring Options**

Self flanged reflector is standard. Painted white flange (WF) option is available.

**Socket Connector**

One piece vented and finned die cast aluminum cap for maximum thermal performance.

**Housing Construction**

Galvanized steel plaster ring accommodates up to 1" ceiling thickness.

**Conduit Fittings**

Die cast screw tight connectors.

**Socket**

4 pin G24q-2 base with fatigue free stainless steel lamp spring ensures positive lamp retention.

**Electronic Ballast**

Electronic ballast provides full light output and rated lamp life. Provides flicker free and noise free operation and starting. End of lamp life protection is standard.

**Labels**

cULus listed, standard damp label, IBEW union made.

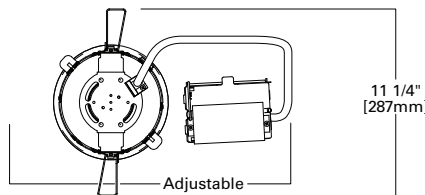
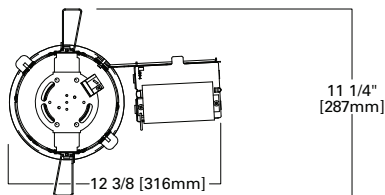
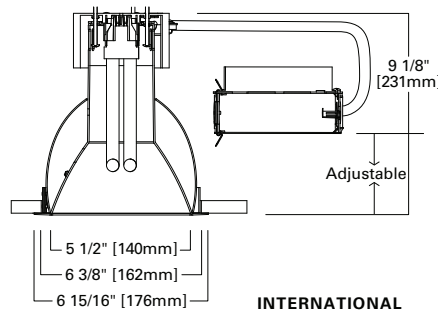
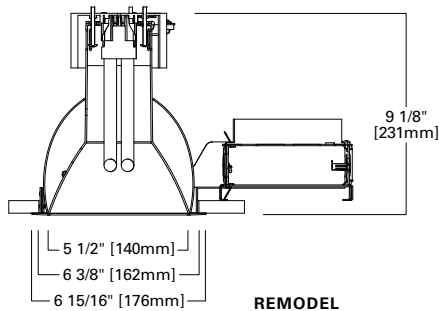


**C6RV018  
C6IV018**

**60110/60111  
60120/60121  
60130/60131**

**18W DTT  
Compact Fluorescent**

**6-Inch  
Remodel/International  
Vertical Open Wall Wash**



Energy Data	
Sound Rating: Class A standards	
<b>18W Triple 4-pin</b>	
Ballast: Electronic	
Min. Starting Temperature: -10°C (15°F)	
120V Input Watts: 29	Line Amps: 0.25
277V Input Watts: 26	Line Amps: 0.09
Power Factor: >0.99	THD: <90%

Example:

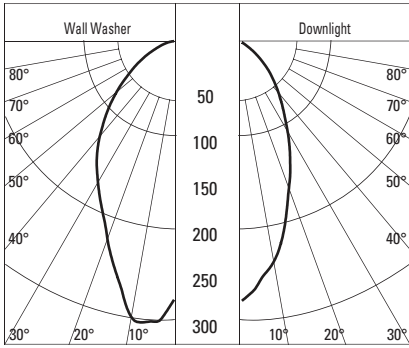
**C6RV018ECP 60111LI WF = 6" CFL Vertical Remodel Single Wall Wash with Gradient Kicker, (1) 18 Watt DTT lamp with 120/277 Volt, Chicago Plenum, Self Flanged with Specular Clear**

Housing	Ballast	Options	Reflector	Finish	Option	Accessories
<p><b>C6RV018</b> = 6" CFL Vertical Remodel, (1) 18W DTT</p> <p><b>C6IV018</b> = 6" CFL Vertical International, (1) 18W DTT</p>	<p><b>E</b> = 120/277V 50/60 Hz Electronic</p> <p><b>3E</b> = 347V 50/60 Hz Electronic</p> <p><b>D</b> = 120-277V Dimming, Lutron EcoSystem</p>	<p><b>CP</b> = Chicago Plenum</p> <p><b>EM</b> = Emergency Module with Remote Test Switch</p>	<p><b>60111</b> = Single Wall Wash, Self Flanged</p> <p><b>60110</b> = Single Wall Wash, Polymer Trim Ring</p> <p><b>60121</b> = Double Wall Wash, Self Flanged</p> <p><b>60120</b> = Double Wall Wash, Polymer Trim Ring</p> <p><b>60131</b> = Corner Wall Wash, Self Flanged</p> <p><b>60130</b> = Corner Wall Wash, Polymer Trim Ring</p>	<p><b>LI</b> = Specular Clear</p> <p><b>H</b> = Semi-Specular Clear</p> <p><b>WMH</b> = Warm Haze</p> <p><b>G</b> = Specular Gold</p> <p><b>WH</b> = Wheat</p> <p><b>WHH</b> = Wheat Haze</p> <p><b>GP</b> = Graphite</p> <p><b>GPH</b> = Graphite Haze</p> <p><b>CC</b> = Chocolate</p> <p><b>CCH</b> = Chocolate Haze</p> <p><b>K</b> = Cognac</p> <p><b>KH</b> = Cognac Haze</p> <p><b>B</b> = Specular Black</p> <p><b>W</b> = Gloss White</p>	<p><b>WF</b> = White painted flange (self flanged only)</p>	<p><b>TRM6</b> = Metal Trim Ring, Specify Finish<sup>1</sup></p> <p><b>TRR6</b> = Rimless Trim Ring<sup>1</sup></p> <p><b>FK5</b> = 5 Amp Field Installable Fuse Kit 300V Max</p> <p><b>DT6</b> = Deco trim<sup>1</sup></p> <p><b>ABR6P</b> = Remodel Adaptor Ring for 7" OD</p> <p><b>ABR7P</b> = Remodel Adaptor Ring for 8" OD</p> <p><b>ABR8P</b> = Remodel Adaptor Ring for 9" OD</p>

Notes: 1 Order trim with polymer trim ring (Consult specification sheet for ordering information and options).

**PHOTOMETRICS**

**Candlepower Distribution Curve**



C6RV018 60111

Test No. 247P130  
 Efficiency = 37.2%  
 Lamp = 18W DTT  
 Spacing Criterion:  
 0° Wall Washer = 0.9  
 180° Downlight = 0.9

**Candela Distribution**

Degrees Vertical	0°	180°
0	429	429
5	467	391
15	386	288
25	290	186
35	222	109
45	151	56
55	88	7
65	43	0
75	16	0
85	2	0
90	0	0

**Luminance**

Degrees	CD/SQ M	
	0°	180°
45	13927	5165
55	10006	796
65	6636	0
75	4032	0
85	1497	0

**Single Unit Footcandles**

**Multiple Unit Footcandles**

DD	Distance from wall (single fixture)							2'6" from wall (spacing between fixtures)			3' from wall (spacing between fixtures)							
	1'	2'	3'	4'	5'	6'	3'	4'	3'	5'	3'							
1	4	3	1	1	0	0	7	5	7	6	3	6	4	4	4	3	3	3
2	8	6	3	1	1	0	12	11	12	10	7	6	9	8	9	7	6	7
3	7	6	4	2	1	0	12	11	12	10	8	10	10	10	10	8	7	8
4	5	5	3	2	1	1	10	10	10	7	7	7	9	9	9	7	7	7
5	4	3	3	2	1	1	7	7	7	6	6	6	7	7	7	6	6	6
6	3	2	3	2	1	1	5	5	5	4	4	4	6	6	6	5	5	5
7	2	1	2	1	1	1	4	4	4	3	3	3	5	5	5	4	4	4
8	1	1	1	1	1	1	3	3	3	3	3	3	4	4	4	3	3	3
9	1	1	1	1	1	0	2	2	2	2	2	2	3	3	3	2	2	2
10	1	1	1	1	0	0	2	2	2	2	2	2	2	2	2	2	2	2

**Notes:**

- Illuminance values for multiple fixtures are based upon the center two units of a four unit array. Footcandle values are centerline of fixtures and centered between fixtures.
- Illuminance values are cosine corrected initial values with no contribution from inter reflections from other room surfaces. Total illumination may increase from contributions from other surfaces.
- Changing fixture spacing will affect illuminance level.  

$$\text{New Fc} = \frac{\text{Existing Spacing}}{\text{New Spacing}} \times \text{Average Table Fc Level}$$
- When selecting colored cones option, only downlight cone is colored; the wall wash reflector is specular clear. This allows the color (CRI, °K) of the light source to be unaffected and maximizes lumen output.

