

DESCRIPTION

Low brightness 6" aperture reflector for use with 26W or 32W Triple Twin Tube 4-pin lamps for below ceiling installation. The precisely formed non-imaging reflector ensures 45° cutoff to lamp and lamp image and the one piece design eliminates light leaks at the ceiling. Standard features include low iridescent finish on all reflector colors to eliminate "rainbowing". One electronic ballast operates 26W and 32W triple lamps. Venting ensures maximum lamp life and lumen output. Adjustable socket locks lamp into optimal position and cannot be disturbed by normal maintenance. Medium beam, wide beam, lens, and open wall wash reflectors are interchangeable within the same housing.

Catalog #		Type
Project		
Comments		Date
Prepared by		

SPECIFICATION FEATURES

Reflector

.050 thick aluminum, in a one piece spun macrofocal parabolic contour. Available in a variety of Alzak® finishes. Also available with White or Black Baffle. Positive reflector mounting pulls trim tight to ceiling.

Trim Ring Options

Self flanged or molded white trim ring. Rimless or metal trim ring accessories available.

Socket Connector

One piece die cast aluminum connection allows venting for maximum thermal performance.

Housing Construction

Galvanized steel plaster ring accommodates up to 1" ceiling thickness.

Conduit Fittings

Die cast screw tight connectors.

Socket

4 pin GX24q3 base with fatigue free stainless steel lamp spring ensures positive lamp retention.

Electronic Ballast

Electronic ballast provides full light output and rated lamp life. Provides flicker free and noise free operation and starting. End of lamp life protection is standard.

Labels

cULus listed, standard damp label, IBEW union made.



C6RV042 6000/6001

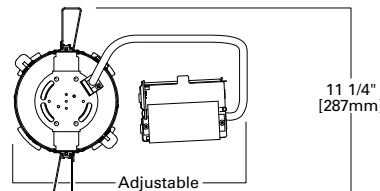
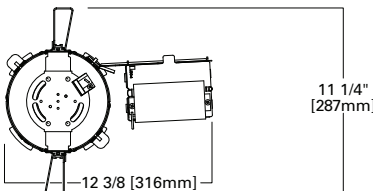
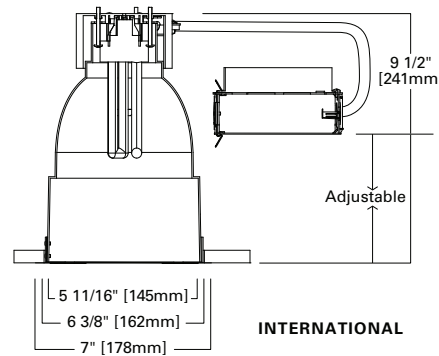
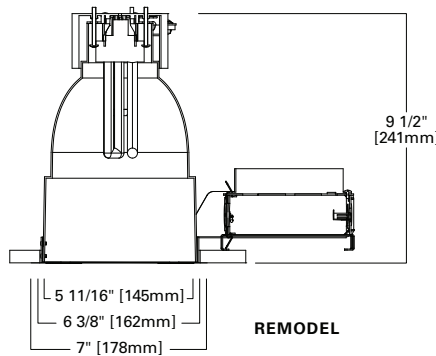
26W or 32W TTT
Compact Fluorescent

6-Inch

Remodel/International
Vertical Medium Open Downlight

Energy Data

Sound Rating: Class A standards	
26W Triple 4-pin	
Ballast: Electronic	
Min. Starting Temperature: -10°C (15°F)	
120V Input Watts: 29	Line Amps: 0.25
277V Input Watts: 29	Line Amps: 0.10
Power Factor: >0.99	THD: <10%
32W Triple 4-pin	
Ballast: Electronic	
Min. Starting Temperature: -10°C (15°F)	
120V Input Watts: 36	Line Amps: 0.32
277V Input Watts: 36	Line Amps: 0.16
Power Factor: >0.99	THD: <10%
32W Triple 4-pin	
Ballast: Dimming	
Min. Starting Temperature: 10°C (50°F)	
120V Input Watts: 38	Line Amps: 0.31
277V Input Watts: 37	Line Amps: 0.13
Power Factor: >0.95	THD: <20%



Example:

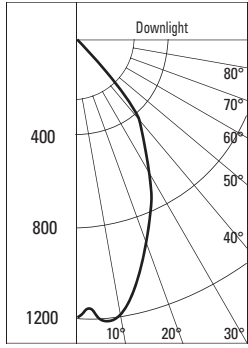
C6RV042ECP 6001LI WF = 6" CFL Vertical Remodel Medium Beam Downlight, (1) 26/32 Watt TTT lamp with 120/277 Volt, Chicago Plenum, Self Flanged with Specular Clear Finish

Housing	Ballast	Options	Reflector	Finish	Option	Accessories
C6RV042 = 6" CFL Vertical Remodel, (1) 26W TTT (1) 32W TTT C6IV042 = 6" CFL Vertical International, (1) 26W TTT (1) 32W TTT	E = 120/277V 50/60 Hz Electronic 3E = 347V 50/60 Hz Electronic D26 = 26W 120-277V Dimming, Lutron EcoSystem D26/32 = 26W or 32W 120-277V Dimming, Lutron EcoSystem EDR26 = DeRated Wattage Label, 26W EDR32 = DeRated Wattage Label, 32W	CP = Chicago Plenum EM = Emergency Module with Remote Test Switch IEM = Emergency Module with Integral Test Switch	6001 = Medium Beam Downlight Reflector, Self Flanged 6000 = Medium Beam Downlight Reflector, Polymer Trim Ring 6001E = Medium Beam Downlight Reflector, Self Flanged, use with IEM 6000E = Medium Beam Downlight Reflector, Polymer Trim Ring use with IEM	LI = Specular Clear H = Semi-Specular Clear WMH = Warm Haze G = Specular Gold WH = Wheat WHH = Wheat Haze GP = Graphite GPH = Graphite Haze CC = Chocolate CCH = Chocolate Haze K = Cognac KH = Cognac Haze B = Specular Black W = Gloss White BB = Black Baffle (6000 only) WB = White Baffle (6000 only)	WF = White painted flange (self flanged only)	TRM6 = Metal Trim Ring, Specify Finish¹ TRR6 = Rimless Trim Ring¹ FK5 = 5 Amp Field Installable Fuse Kit 300V Max DT6 = Deco trim¹ ABR6P = Remodel Adaptor Ring for 7" OD ABR7P = Remodel Adaptor Ring for 8" OD ABR8P = Remodel Adaptor Ring for 9" OD

Notes: 1 Order trim with polymer trim ring (Consult specification sheet for ordering information and options).

PHOTOMETRICS

Candlepower Distribution Curve



Test No. H22287
 C6RV042 6000LI
 Lamp = 32 TTT
 Lumens = 2400
 SC = 0.9
 Efficiency = 47.4%

Cone of Light

Distance Fixture to Lighted Plane	Initial Footcandles at Nadir	Beam Diameter
4.5'	58	4.0'
5.5'	39	5.0'
6.5'	28	6.0'
8.0'	18	7.0'
10.0'	12	9.0'
12.0'	8	11.0'

Candela Distribution

Degrees Vertical	Candela
0	1165
5	1177
15	1013
25	744
35	481
45	73
55	5
65	2
75	1
85	0
90	0

Zonal Lumen Summary

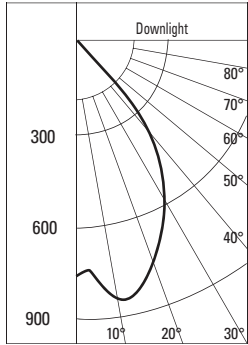
Zone	Lumens	%Fixture
0-30	736	64.7
0-40	1037	91.2
0-60	1134	99.7
0-90	1138	100.0
90-180	0	0.0
0-180	1138	100.0

Luminance

Degrees	Avg. 0° Luminance
45	6403
55	541
65	294
75	240
85	0

PHOTOMETRICS

Candlepower Distribution Curve



Test No. H22288
 C6RV042 6000LI
 Lamp = 32W PLT
 Lumens = 2400
 SC = 1.1
 Efficiency = 38.8%

Cone of Light

Distance Fixture to Lighted Plane	Initial Footcandles at Nadir	Beam Diameter
4.5'	36	5.0'
5.5'	24	6.0'
6.5'	17	7.5'
8.0'	11	9.0'
10.0'	7	11.5'
12.0'	5	13.5'

Candela Distribution

Degrees Vertical	Candela
0	728
5	750
15	778
25	628
35	433
45	64
55	5
65	2
75	1
85	0
90	0

Zonal Lumen Summary

Zone	Lumens	%Fixture
0-30	580	62.2
0-40	848	91.0
0-60	929	99.7
0-90	932	100.0
90-180	0	0.0
0-180	932	100.0

Luminance

Degrees	Avg. 0° Luminance
45	5622
55	508
65	279
75	168
85	0