

DESCRIPTION

Low brightness 6" aperture reflector for use with 26W or 32W Triple Twin Tube 4-pin lamps for below ceiling installation. The geometric reflector maximizes flux toward the wall and is spectrally neutral leaving the color temperature and color rendering unchanged. Available in single, double and corner wall wash versions. The one piece design eliminates light leaks at the ceiling. Standard features include low iridescent finish on all reflectors, electronic ballast and venting to ensure maximum lamp life and lumen output. Optics offer unparalleled performance with uniform illuminance on wall, no flashback, and glare-free downlighting. Medium beam, wide beam, lensed and open wall wash trims are interchangeable within the same housing.

SPECIFICATION FEATURES

Reflector

Injection molded Geometric Reflector for Uniform Vertical Illumination is vacuum metallized with polysiloxane hardcoat finish. One piece spun macrofocal parabolic downlight reflector, .050 thick aluminum, available in a variety of Alzak® finishes. Positive reflector mounting pulls trim tight to ceiling. Reflector can be rotated 90° for alignment with wall.

Trim Ring Options

Self flanged or molded white trim ring. Rimless trim ring accessories available.

Socket Connector

One piece vented and finned die cast aluminum cap for maximum thermal performance.

Housing Construction

Galvanized steel plaster ring accommodates up to 1" ceiling thickness.

Conduit Fittings

Die cast screw tight connectors.

Socket

4 pin GX24q-3 base with fatigue free stainless steel lamp spring ensures positive lamp retention.

| | | |
|--------------------|--|-------------|
| Catalog # | | Type |
| Project | | |
| Comments | | Date |
| Prepared by | | |

Electronic Ballast

Electronic ballast provides full light output and rated lamp life. Provides flicker free and noise free operation and starting. End of lamp life protection is standard.

Labels

cULus listed, standard damp label, IBEW union made.



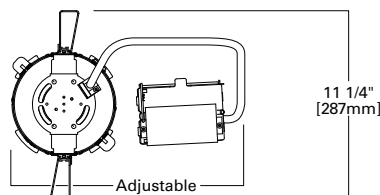
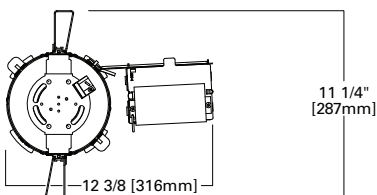
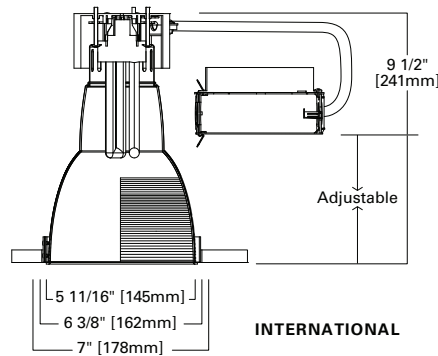
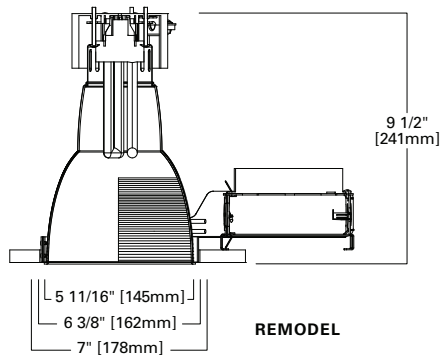
C6RV042

6010/6011

26W, 32W or 42W
Compact Fluorescent

6-Inch
Remodel/International
Vertical Open Wall Wash

| Energy Data | |
|---|-----------------|
| Sound Rating: Class A standards | |
| 26W Triple 4-pin | |
| Ballast: Electronic | |
| Min. Starting Temperature: -10°C (15°F) | |
| 120V Input Watts: 29 | Line Amps: 0.25 |
| 277V Input Watts: 29 | Line Amps: 0.10 |
| Power Factor: >0.99 | THD: <10% |
| 32W Triple 4-pin | |
| Ballast: Electronic | |
| Min. Starting Temperature: -10°C (15°F) | |
| 120V Input Watts: 36 | Line Amps: 0.32 |
| 277V Input Watts: 36 | Line Amps: 0.16 |
| Power Factor: >0.99 | THD: <10% |
| 32W Triple 4-pin | |
| Ballast: Dimming | |
| Min. Starting Temperature: 10°C (50°F) | |
| 120V Input Watts: 38 | Line Amps: 0.31 |
| 277V Input Watts: 37 | Line Amps: 0.13 |
| Power Factor: >0.95 | THD: <20% |



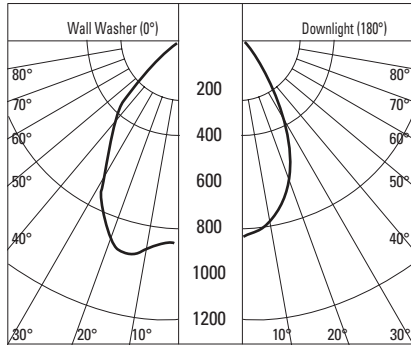
Example: C6RV042ECP 6010LI WF = 6" CFL Vertical Remodel Single Wall Wash, (1) 26/32 Watt TTT lamp with 120/277 Volt, Chicago Plenum, Self Flanged with Specular Clear Finish

| Housing | Ballast | Options | Reflector | Finish | Option | Accessories |
|--|---|---|---|---|--|--|
| C6RV042 = 6" CFL Vertical Remodel, (1) 26W TTT (1) 32W TTT C6IV042 = 6" CFL Vertical International, (1) 26W TTT (1) 32W TTT | E = 120/277V 50/60 Hz Electronic 3E = 347V 50/60 Hz Electronic D26 = 26W 120-277V Dimming, Lutron EcoSystem D26/32 = 26W or 32W 120-277V Dimming, Lutron EcoSystem EDR26 = DeRated Wattage Label, 26W EDR32 = DeRated Wattage Label, 32W | CP = Chicago Plenum EM = Emergency Module with Remote Test Switch IEM = Emergency Module with Integral Test Switch | 6011 = Single Wall Wash, Self Flanged 6010 = Single Wall Wash, Polymer Trim Ring 6021 = Double Wall Wash, Self Flanged 6020 = Double Wall Wash, Polymer Trim Ring 6031 = Corner Wall Wash, Self Flanged 6030 = Corner Wall Wash, Polymer Trim Ring | LI = Specular Clear H = Semi-Specular Clear WMH = Warm Haze G = Specular Gold WH = Wheat WHH = Wheat Haze GP = Graphite GPH = Graphite Haze CC = Chocolate CCH = Chocolate Haze K = Cognac KH = Cognac Haze B = Specular Black W = Gloss White | WF = White painted flange (self flanged only) | TRM6 = Metal Trim Ring, Specify Finish! TRR6 = Rimless Trim Ring! FK5 = 5 Amp Field Installable Fuse Kit 300V Max DT6 = Deco trim! ABR6P = Remodel Adaptor Ring for 7" OD ABR7P = Remodel Adaptor Ring for 8" OD ABR8P = Remodel Adaptor Ring for 9" OD |

Notes: 1 Order trim with polymer trim ring (Consult specification sheet for ordering information and options).

PHOTOMETRICS

Candlepower Distribution Curve



Test No. H22184
C6RV042 6010
Lamp = 26W TTT
Lumens = 1800
Efficiency = 44.1%

Candela Distribution

| Degrees Vertical | 0° | 180° |
|------------------|-----|------|
| 0 | 858 | 858 |
| 5 | 829 | 894 |
| 15 | 612 | 847 |
| 25 | 393 | 532 |
| 35 | 229 | 310 |
| 45 | 119 | 27 |
| 55 | 68 | 2 |
| 65 | 49 | 1 |
| 75 | 31 | 0 |
| 85 | 1 | 0 |
| 90 | 0 | 0 |

Luminance

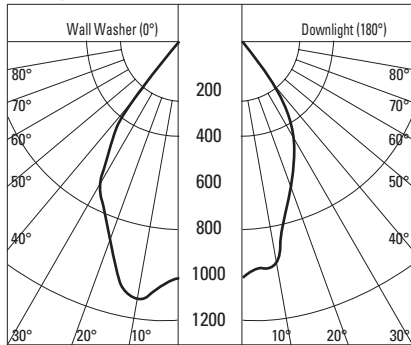
| Degrees | CD/SQ M | |
|----------|---------|------|
| Vertical | 0° | 180° |
| 45 | 10246 | 2301 |
| 55 | 7245 | 170 |
| 65 | 6993 | 101 |
| 75 | 7275 | 0 |
| 85 | 629 | 0 |

Single Unit Foot-candles

Multiple Unit Foot-candles

| DD | 2'6" from wall <i>(distance from fixture along wall)</i> | | | | | | | 2' from wall <i>(spacing between fixtures)</i> | | | 2'6" from wall <i>(spacing between fixtures)</i> | | | 3' from wall <i>(spacing between fixtures)</i> | | | | |
|----|---|----|----|----|----|----|----|---|----|----|---|----|----|---|----|---|---|---|
| | 1' | 2' | 3' | 4' | 5' | 6' | 2' | 4' | 3' | 4' | 3' | 4' | 3' | 4' | | | | |
| 1 | 6 | 5 | 2 | 1 | 0 | 0 | 15 | 15 | 15 | 10 | 6 | 10 | 6 | 5 | 6 | 4 | 4 | 4 |
| 2 | 6 | 5 | 3 | 1 | 0 | 0 | 16 | 15 | 16 | 11 | 6 | 11 | 8 | 8 | 8 | 7 | 5 | 7 |
| 3 | 7 | 6 | 3 | 1 | 0 | 0 | 18 | 17 | 18 | 11 | 7 | 11 | 10 | 9 | 10 | 8 | 5 | 8 |
| 4 | 6 | 5 | 3 | 2 | 0 | 0 | 16 | 17 | 16 | 9 | 8 | 9 | 9 | 9 | 9 | 7 | 7 | 7 |
| 5 | 5 | 4 | 3 | 2 | 1 | 0 | 14 | 14 | 14 | 8 | 7 | 8 | 9 | 9 | 9 | 7 | 7 | 7 |
| 6 | 4 | 4 | 3 | 2 | 1 | 1 | 11 | 11 | 11 | 7 | 6 | 7 | 8 | 8 | 8 | 6 | 6 | 6 |
| 7 | 3 | 3 | 2 | 2 | 1 | 1 | 9 | 9 | 9 | 5 | 5 | 5 | 7 | 7 | 7 | 5 | 5 | 5 |
| 8 | 2 | 2 | 2 | 1 | 1 | 1 | 7 | 7 | 7 | 4 | 4 | 4 | 6 | 6 | 6 | 5 | 5 | 5 |
| 9 | 2 | 2 | 2 | 1 | 1 | 1 | 5 | 6 | 5 | 4 | 4 | 4 | 5 | 5 | 5 | 4 | 4 | 4 |
| 10 | 1 | 1 | 1 | 1 | 1 | 1 | 4 | 4 | 4 | 3 | 3 | 3 | 4 | 4 | 4 | 4 | 4 | 4 |

Candlepower Distribution Curve



Test No. H22216
C6RV042 6010
Lamp = 32W TTT
Lumens = 2400
Efficiency = 45.5%

Candela Distribution

| Degrees Vertical | 0° | 180° |
|------------------|------|------|
| 0 | 1002 | 1002 |
| 5 | 963 | 1047 |
| 15 | 744 | 1025 |
| 25 | 518 | 760 |
| 35 | 344 | 442 |
| 45 | 175 | 191 |
| 55 | 98 | 4 |
| 65 | 53 | 1 |
| 75 | 25 | 1 |
| 85 | 1 | 0 |
| 90 | 0 | 0 |

Luminance

| Degrees | CD/SQ M | |
|----------|---------|-------|
| Vertical | 0° | 180° |
| 45 | 15080 | 16459 |
| 55 | 10411 | 425 |
| 65 | 7642 | 144 |
| 75 | 5886 | 235 |
| 85 | 699 | 0 |

Single Unit Foot-candles

Multiple Unit Foot-candles

| DD | 2'6" from wall <i>(distance from fixture along wall)</i> | | | | | | | 2'6" from wall <i>(spacing between fixtures)</i> | | | 3' from wall <i>(spacing between fixtures)</i> | | | 4' from wall <i>(spacing between fixtures)</i> | | | | |
|----|---|----|----|----|----|----|----|---|----|----|---|----|----|---|----|----|---|----|
| | 1' | 2' | 3' | 4' | 5' | 6' | 3' | 4' | 3' | 4' | 4' | 6' | 4' | 6' | | | | |
| 1 | 6 | 4 | 2 | 1 | 0 | 0 | 7 | 7 | 7 | 6 | 5 | 6 | 5 | 5 | 5 | 4 | 3 | 4 |
| 2 | 9 | 7 | 3 | 1 | 0 | 0 | 12 | 11 | 12 | 10 | 7 | 10 | 9 | 8 | 9 | 7 | 6 | 7 |
| 3 | 11 | 9 | 4 | 2 | 1 | 0 | 15 | 14 | 15 | 13 | 9 | 13 | 10 | 10 | 10 | 8 | 7 | 8 |
| 4 | 9 | 8 | 5 | 3 | 1 | 0 | 15 | 14 | 15 | 11 | 11 | 11 | 12 | 12 | 12 | 10 | 9 | 10 |
| 5 | 7 | 6 | 5 | 3 | 2 | 1 | 13 | 13 | 13 | 10 | 10 | 10 | 12 | 12 | 12 | 9 | 9 | 9 |
| 6 | 5 | 5 | 4 | 3 | 2 | 1 | 11 | 12 | 11 | 9 | 9 | 9 | 11 | 11 | 11 | 8 | 8 | 8 |
| 7 | 4 | 4 | 3 | 2 | 2 | 1 | 9 | 10 | 9 | 7 | 8 | 7 | 9 | 9 | 9 | 7 | 8 | 7 |
| 8 | 3 | 3 | 2 | 2 | 2 | 1 | 8 | 8 | 8 | 6 | 6 | 6 | 8 | 8 | 8 | 6 | 7 | 6 |
| 9 | 2 | 2 | 2 | 2 | 1 | 1 | 6 | 6 | 6 | 5 | 5 | 5 | 7 | 7 | 7 | 6 | 6 | 6 |
| 10 | 2 | 2 | 2 | 1 | 1 | 1 | 5 | 5 | 5 | 4 | 4 | 4 | 6 | 6 | 6 | 5 | 5 | 5 |

Notes:

- Illuminance values for multiple fixtures are based upon the center two units of a four unit array. Footcandle values are centerline of fixtures and centered between fixtures.
 - Illuminance values are cosine corrected initial values with no contribution from inter reflections from other room surfaces. Total illumination may increase from contributions from other surfaces.
 - Changing fixture spacing will affect illuminance level.
- New Fc = $\frac{\text{Existing Spacing}}{\text{New Spacing}} \times \text{Average Table Fc Level}$
- When selecting colored cones option, only downlight cone is colored; the wall wash reflector is specular clear. This allows the color (CRI, °K) of the light source to be unaffected and maximizes lumen output.

