

DESCRIPTION

Low brightness 6" aperture reflector for use with 26W or 32W Triple Twin Tube 4-pin lamps for below ceiling installation. The precisely formed non-imaging reflector ensures 55° cutoff to lamp and lamp image and the one piece design eliminates light leaks at the ceiling. Standard features include low iridescent finish on all reflector colors to eliminate "rainbowing". One electronic ballast operates 26W and 32W triple lamps. Venting ensures maximum lamp life and lumen output. Adjustable socket locks lamp into optimal position and cannot be disturbed by normal maintenance. Medium beam, wide beam, lens, and open wall wash reflectors are interchangeable within the same housing.

Catalog #		Type
Project		
Comments		Date
Prepared by		

SPECIFICATION FEATURES

Reflector

.050 thick aluminum, in a one piece spun macrofocal parabolic contour. Available in a variety of Alzak® finishes. Positive reflector mounting pulls trim tight to ceiling.

Trim Ring Options

Self flanged or molded white trim ring. Rimless trim ring accessories available.

Socket Connector

One piece vented and finned die cast aluminum cap for maximum thermal performance.

Housing Construction

Galvanized steel plaster ring accommodates up to 1" ceiling thickness.

Conduit Fittings

Die cast screw tight connectors.

Socket

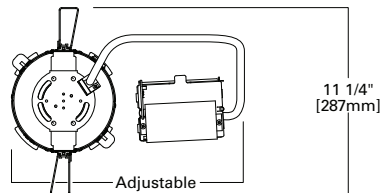
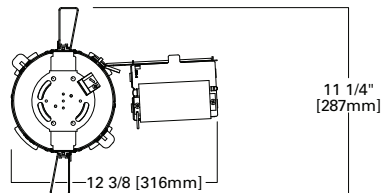
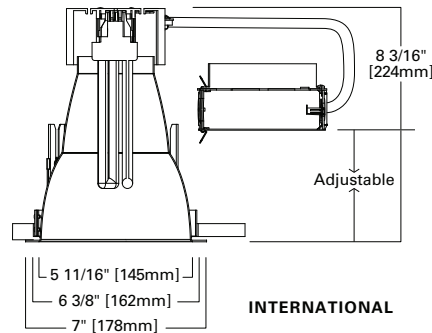
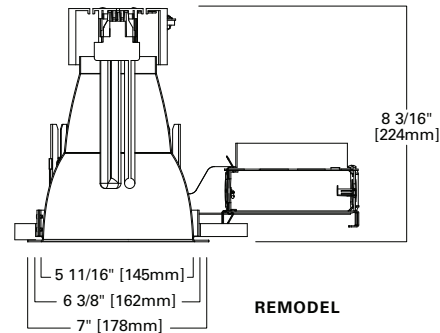
4 pin GX24q-3 base with fatigue free stainless steel lamp spring ensures positive lamp retention.

Electronic Ballast

Electronic ballast provides full light output and rated lamp life. Provides flicker free and noise free operation and starting. End of lamp life protection is standard.

Labels

cULus listed, standard damp label, IBEW union made.



Example:

C6RV042ECP 6051LI WF = 6" CFL Vertical Wide Beam Remodel Downlight, (1) 26/32 Watt TTT lamp with 120/277 Volt, Chicago Plenum, Self Flanged with Specular Clear Finish

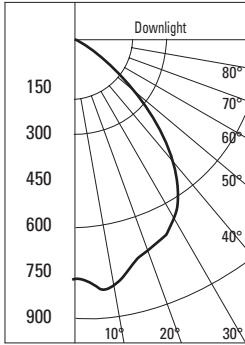
Housing	Ballast	Options	Reflector	Finish	Option	Accessories
C6RV042 = 6" CFL Vertical Remodel, (1) 26W TTT C6IV042 = 6" CFL Vertical International, (1) 26W TTT (1) 32W TTT	E = 120/277V 50/60 Hz Electronic 3E = 347V 50/60 Hz Electronic D26 = 26W 120-277V Dimming, Lutron EcoSystem D26/32 = 26W or 32W 120-277V Dimming, Lutron EcoSystem EDR26 = DeRated Wattage Label, 26W EDR32 = DeRated Wattage Label, 32W	CP = Chicago Plenum EM = Emergency Module with Remote Test Switch IEM = Emergency Module with Integral Test Switch	6051 = Wide Beam Downlight Reflector, Self Flanged 6050 = Wide Beam Downlight Reflector, Polymer Trim Ring 6051E = Wide Beam Downlight Reflector, Self Flanged, use with IEM 6050E = Wide Beam Downlight Reflector, Polymer Trim Ring use with IEM	LI = Specular Clear H = Semi-Specular Clear WMH = Warm Haze G = Specular Gold WH = Wheat WHH = Wheat Haze GP = Graphite GPH = Graphite Haze CC = Chocolate CCH = Chocolate Haze K = Cognac KH = Cognac Haze B = Specular Black W = Gloss White	WF = White painted flange (self flanged only)	TRM6 = Metal Trim Ring, Specify Finish ¹ TRR6 = Rimless Trim Ring ¹ FK5 = 5 Amp Field Installable Fuse Kit 300V Max DT6 = Deco trim ¹ ABR6P = Remodel Adaptor Ring for 7" OD ABR7P = Remodel Adaptor Ring for 8" OD ABR8P = Remodel Adaptor Ring for 9" OD

Notes: 1 Order trim with polymer trim ring (Consult specification sheet for ordering information and options).

Energy Data	
Sound Rating: Class A standards	
26W Triple 4-pin	
Ballast: Electronic	
Min. Starting Temperature: -10°C (15°F)	
120V Input Watts: 29	Line Amps: 0.25
277V Input Watts: 29	Line Amps: 0.10
Power Factor: >0.99	THD: <10%
32W Triple 4-pin	
Ballast: Electronic	
Min. Starting Temperature: -10°C (15°F)	
120V Input Watts: 36	Line Amps: 0.32
277V Input Watts: 36	Line Amps: 0.16
Power Factor: >0.99	THD: <10%
32W Triple 4-pin	
Ballast: Dimming	
Min. Starting Temperature: 10°C (50°F)	
120V Input Watts: 38	Line Amps: 0.31
277V Input Watts: 37	Line Amps: 0.13
Power Factor: >0.95	THD: <20%

PHOTOMETRICS

Candlepower Distribution Curve



Test No. H22186
 C6RV042 6050LI
 Lamp = 32W TTT
 Lumens = 2400
 Spacing Criterion = 1.2
 Efficiency = 54.0%

Cone of Light

Distance Fixture to Lighted Plane	Initial Footcandles at Nadir	Beam Diameter
5'6"	26	6'6"
6'6"	19	7'6"
8'0"	12	9'6"
10'0"	8	12'0"
12'0"	5	14'0"
14'0"	4	16'6"

Zonal Lumen Summary

Zone	Lumens	%Fixture
0-30	598	46.2
0-40	940	72.6
0-60	1291	99.6
0-90	1296	100.0
90-180	0	0.0
0-180	1296	100.0

Luminance

Degrees Vertical	CD/SQ M
45	29109
55	11070
65	562
75	0
85	0

Candela Distribution

Degrees Vertical	CD
0	783
5	796
15	741
25	676
35	550
45	338
55	104
65	0
75	0
85	0
90	0

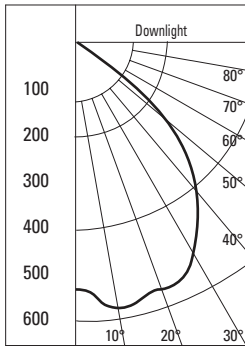
Beam diameter is to 50% of maximum footcandles, rounded to the nearest half-foot.

Footcandle values are initial, apply appropriate light loss factors where necessary.

Reflector Multiplier: 26W TTT = .82
EM Multiplier (in emergency mode): EM = .28

PHOTOMETRICS

Candlepower Distribution Curve



Test No. H22195
 C6RV042 6050LI
 Lamp = 32W PLT
 Lumens = 2400
 Spacing Criterion = 1.3
 Efficiency = 47.0%

Cone of Light

Distance Fixture to Lighted Plane	Initial Footcandles at Nadir	Beam Diameter
5'6"	18	7'6"
6'6"	13	9'0"
8'0"	9	11'0"
10'0"	5	13'6"
12'0"	4	16'6"
14'0"	3	19'0"

Zonal Lumen Summary

Zone	Lumens	%Fixture
0-30	482	42.7
0-40	777	68.9
0-60	1124	99.6
0-90	1129	100.0
90-180	0	0.0
0-180	1129	100.0

Luminance

Degrees Vertical	CD/SQ M
45	28429
55	11378
65	548
75	0
85	0

Candela Distribution

Degrees Vertical	CD
0	546
5	561
15	588
25	568
35	475
45	330
55	107
65	4
75	0
85	0
90	0

Beam diameter is to 50% of maximum footcandles, rounded to the nearest half-foot.

Footcandle values are initial, apply appropriate light loss factors where necessary.

Reflector Multiplier: 26W PLT= .94
EM Multiplier (in emergency mode): EM = .28