

## DESCRIPTION

Low brightness 6" aperture reflector for use with 42W Triple Twin Tube 4-pin lamps for below ceiling installation. The deeply regressed lens provides superb shielding in comparison to shallow lenses. Reflector trim eliminates brightness at higher angles. Choice of lens types for various aesthetics. Standard features include low iridescent finish on all reflector colors to eliminate "rainbowing". One electronic ballast operates all 42W triple lamps. Venting ensures maximum lamp life and lumen output. Adjustable socket locks lamp into optimal position and cannot be disturbed by normal maintenance. Medium beam, wide beam, lens and open wall wash reflectors are interchangeable within the same housing.

Catalog #		Type	
Project			
Comments		Date	
Prepared by			

## SPECIFICATION FEATURES

### Reflector

.050 thick aluminum, in a one piece spun macrofocal parabolic contour. Available in a variety of Alzak® finishes. Positive reflector mounting pulls trim tight to ceiling. Available with White or Black Baffle.

### Lens

Choice of tempered fresnel, prismatic, diffuse, or clear glass lenses or molded prismatic acrylic, opal diffuser or clear UV stabilized acrylic. Lens is fixed to lower reflector.

### Trim Ring Options

Self flanged or molded white trim ring.

### Socket Connector

One piece die cast aluminum connection allows venting for maximum thermal performance.

### Housing Construction

Galvanized steel plaster ring accommodates up to 1" ceiling thickness.

### Conduit Fittings

Die cast screw tight connectors.

### Socket

4 pin GX24q3 base with fatigue free stainless steel lamp spring ensures positive lamp retention.

### Electronic Ballast

Electronic ballast provides full light output and rated lamp life. Provides flicker free and noise free operation and starting. End of lamp life protection is standard.

### Labels

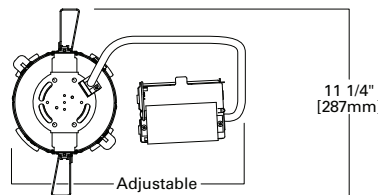
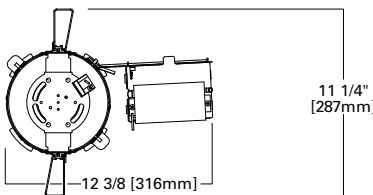
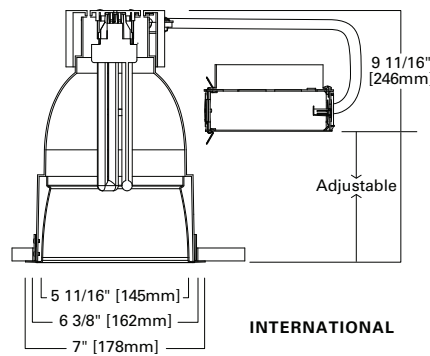
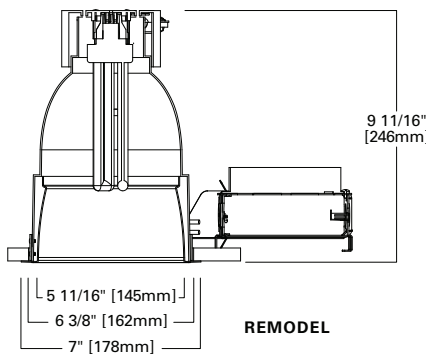
cULus listed, standard wet label, IBEW union made.



## C6RV042 6080/6081

26W, 32W or 42W TTT  
Compact Fluorescent

6-Inch  
Remodel/International  
Lensed Downlight



### Energy Data

Sound Rating: Class A standards	
<b>42W Triple 4-pin</b>	
Ballast: Electronic	
Min Starting Temperature: 10°C (50°F)	
120V Input Watts: 48	Line Amps: 0.32
277V Input Watts: 48	Line Amps: 0.18
Power Factor: >0.99	THD: <10%

### Example:

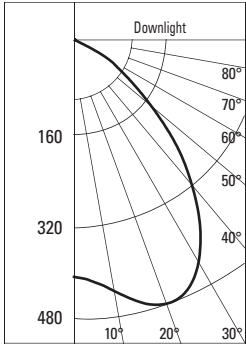
C6RV042ECP 6081LI WF = 6" CFL Vertical Remodel Lensed Downlight, (1) 26/32/42 Watt TTT Lamp with 120/277 Volt, Chicago Plenum, Self Flanged with Specular Clear Finish

Housing	Ballast	Options	Reflector	Lens	Finish	Option	Accessories
<p><b>C6RV042</b> = 6" CFL Vertical Remodel, (1) 26W TTT (1) 32W TTT (1) 42W TTT</p> <p><b>C6IV042</b> = 6" CFL Vertical International, (1) 26W TTT (1) 32W TTT (1) 42W TTT</p>	<p><b>E</b> = 120/277V 50/60 Hz Electronic</p> <p><b>3E</b> = 347V 50/60 Hz Electronic</p> <p><b>D26/32</b> = 26W or 32W 120-277V Dimming, Lutron EcoSystem</p> <p><b>D42</b> = 42W 120-277V Dimming, Lutron EcoSystem</p> <p><b>EDR26</b> = DeRated Wattage Label, 26W</p> <p><b>EDR32</b> = DeRated Wattage Label, 32W</p>	<p><b>CP</b> = Chicago Plenum</p> <p><b>EM</b> = Emergency Module with Remote Test Switch</p> <p><b>IEM</b> = Emergency Module with Integral Test Switch</p>	<p><b>6081</b> = Downlight Lensed Reflector, Self Flanged</p> <p><b>6080</b> = Downlight Lensed Reflector, Polymer Trim Ring</p> <p><b>6081E</b> = Downlight Lensed Reflector, Self Flanged, use with IEM</p> <p><b>6080E</b> = Downlight Lensed Reflector, Polymer Trim Ring, use with IEM</p>	<p><b>LI</b> = Specular Clear</p> <p><b>H</b> = Semi-Specular Clear</p> <p><b>WMH</b> = Warm Haze</p> <p><b>G</b> = Specular Gold</p> <p><b>WH</b> = Wheat</p> <p><b>WHH</b> = Wheat Haze</p> <p><b>GP</b> = Graphite</p> <p><b>GPH</b> = Graphite Haze</p> <p><b>CC</b> = Chocolate</p> <p><b>CCH</b> = Chocolate Haze</p> <p><b>K</b> = Cognac</p> <p><b>KH</b> = Cognac Haze</p> <p><b>B</b> = Specular Black</p> <p><b>W</b> = Gloss White</p> <p><b>BB</b> = Black Baffle (6080 only)</p> <p><b>WB</b> = White Baffle (6080 only)</p>	<p><b>1</b> = Prismatic Lens</p> <p><b>2</b> = Diffuse Lens</p> <p><b>3</b> = Clear Lens</p> <p><b>1G</b> = Prismatic Glass</p> <p><b>2G</b> = Diffuse Glass</p> <p><b>3G</b> = Clear Glass</p> <p><b>4G</b> = Fresnel Glass</p>	<p><b>WF</b> = White painted flange (self flanged only)</p>	<p><b>TRM6</b> = Metal Trim Ring, Specify Finish<sup>1</sup></p> <p><b>TRR6</b> = Rimless Trim Ring<sup>1</sup></p> <p><b>FK5</b> = 5 Amp Field Installable Fuse Kit 300V Max</p> <p><b>ABR6P</b> = Remodel Adaptor Ring for 7" OD</p> <p><b>ABR7P</b> = Remodel Adaptor Ring for 8" OD</p> <p><b>ABR8P</b> = Remodel Adaptor Ring for 9" OD</p>

**Notes:** 1 Order trim with polymer trim ring (Consult specification sheet for ordering information and options).

**PHOTOMETRICS**

**Candlepower Distribution Curve**



Test No. H22445  
 C6RV042 6080L11G  
 Lamp = PL-T42W/35/4P  
 Lumens = 3200  
 SC = 1.3  
 Efficiency = 30.1%

**Cone of Light**

Distance Fixture to Lighted Plane	Initial Footcandles at Nadir	Beam Diameter
6'0"	12	8'5"
7'0"	9	9'5"
8'0"	7	11'0"
10'0"	4	14'0"
12'5"	3	17'5"
15'0"	2	21'0"

**Candela Distribution**

Degrees Vertical	Candela
0	412
5	423
15	474
25	476
35	383
45	248
55	116
65	17
75	4
85	1
90	0

**Zonal Lumen Summary**

Zone	Lumens	%Fixture
0-30	393	40.9
0-40	632	65.6
0-60	927	96.3
0-90	962	100.0
90-180	0	0.0
0-180	962	100.0

**Luminance**

Average Candela/M <sup>2</sup> Degrees	Avg. 0° Luminance
45	20894
55	12099
65	2344
75	876
85	753