

DESCRIPTION

Low brightness 6" aperture open wall wash reflector for use with 42W Triple Twin Tube 4-pin compact fluorescent lamps for below ceiling installation. Available in single, double and corner wall wash versions. Standard features include low iridescent finish on all reflectors, electronic ballasts and venting to ensure maximum lamp life and lumen output. Optics offer unparalleled performance with uniform illuminance on wall, no flashback, and glare-free downlighting. Medium beam, wide beam, lensed and open wall wash trims are interchangeable within the same housing.

Catalog #		Type
Project		
Comments		Date
Prepared by		

SPECIFICATION FEATURES

Reflector

Full spinning Gradient Kicker provides high levels of vertical illumination, protects reflector integrity and achieves superior sealed design. Airflow travels through downlight cone neck for optimum lamp cooling. One piece spun Quiet Cone downlight reflector of .050 thick aluminum, available in a variety of Alzak® finishes. Positive reflector mounting pulls self-flanged trim tight to ceiling.

Trim Ring Options

Self flanged reflector is standard. Painted white flange (WF) option is available.

Socket Connector

One piece vented and finned die cast aluminum cap for maximum thermal performance.

Housing Construction

Galvanized steel plaster ring accommodates up to 1" ceiling thickness.

Conduit Fittings

Die cast screw tight connectors.

Rotary Lock Socket

4 pin GX24q-4 base with fatigue free stainless steel lamp spring ensures positive lamp retention.

Electronic Ballast

Electronic ballast provides full light output and rated lamp life. Provides flicker free and noise free operation and starting. End of lamp life protection is standard.

Labels

cULus listed, standard damp label, IBEW union made.



C6RV042 C6IV042

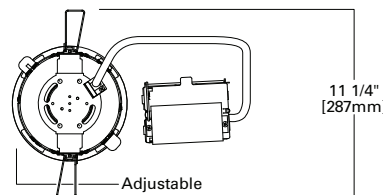
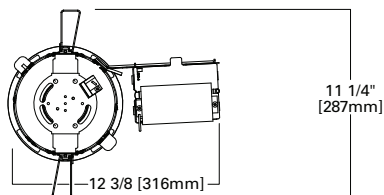
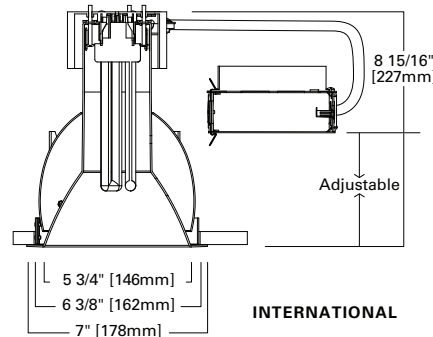
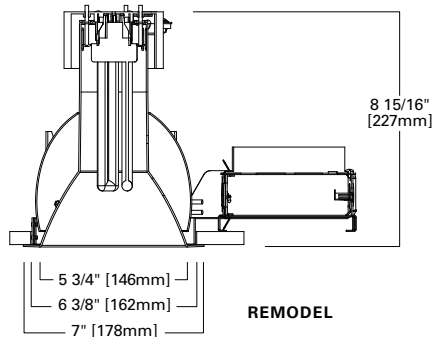
64110/64111 64120/64121 64130/64131

42W TTT Compact Fluorescent

6-Inch
Remodel/International
Vertical Open Wall Wash

Energy Data

Sound Rating: Class A standards	
42W Triple 4-pin	
Ballast: Electronic	
Min Starting Temperature: 10°C (50°F)	
120V Input Watts: 48	Line Amps: 0.32
277V Input Watts: 48	Line Amps: 0.18
Power Factor: >0.99	THD: <10%



Example:

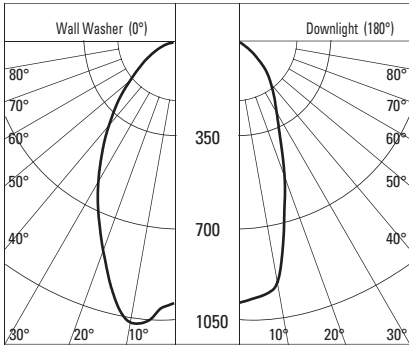
C6RV042ECP 64111LI WF = 6" CFL Vertical Single Wall Wash with Gradient Kicker, (1) 42 Watt TTT lamp with 120/277 Volt, Chicago Plenum, Self Flanged with Specular Clear Finish

Housing	Ballast	Options	Reflector	Finish	Option	Accessories
<p>C6RV042 = 6" CFL Vertical Remodel, (1) 42W TTT</p> <p>C6IV042 = 6" CFL Vertical International, (1) 42W TTT</p>	<p>E = 120/277V 50/60 Hz Electronic</p> <p>3E = 347V 50/60 Hz Electronic</p> <p>D42 = 42W 120-277V Dimming, Lutron EcoSystem</p>	<p>CP = Chicago Plenum</p> <p>EM = Emergency Module with Remote Test Switch</p> <p>IEM = Emergency Module with Integral Test Switch</p>	<p>64111 = Single Wall Wash, Self Flanged</p> <p>64110 = Single Wall Wash, Polymer Trim Ring</p> <p>64121 = Double Wall Wash, Self Flanged</p> <p>64120 = Double Wall Wash, Polymer Trim Ring</p> <p>64131 = Corner Wall Wash, Self Flanged</p> <p>64130 = Corner Wall Wash, Polymer Trim Ring</p>	<p>LI = Specular Clear</p> <p>H = Semi-Specular Clear</p> <p>WMH = Warm Haze</p> <p>G = Specular Gold</p> <p>WH = Wheat</p> <p>WHH = Wheat Haze</p> <p>GP = Graphite</p> <p>GPH = Graphite Haze</p> <p>CC = Chocolate</p> <p>CCH = Chocolate Haze</p> <p>K = Cognac</p> <p>KH = Cognac Haze</p> <p>B = Specular Black</p> <p>W = Gloss White</p>	<p>WF = White painted flange (self flanged only)</p>	<p>TRM6 = Metal Trim Ring, Specify Finish¹</p> <p>TRR6 = Rimless Trim Ring¹</p> <p>FK5 = 5 Amp Field Installable Fuse Kit 300V Max</p> <p>DT6 = Deco trim¹</p> <p>ABR6P = Remodel Adaptor Ring for 7" OD</p> <p>ABR7P = Remodel Adaptor Ring for 8" OD</p> <p>ABR8P = Remodel Adaptor Ring for 9" OD</p>

Notes: 1 Order trim with polymer trim ring (Consult specification sheet for ordering information and options).

PHOTOMETRICS

Candlepower Distribution Curve



C6RV042E 64111

Test No. 247P127
 Efficiency = 31.0%
 Lamp = 42W TTT
 Spacing Criterion = 1.0

Candela Distribution

Degrees Vertical	0°	180°
0	944	944
5	1008	923
15	900	627
25	653	333
35	442	206
45	273	115
55	148	10
65	77	1
75	35	0
85	6	0
95	0	0

Luminance

Degrees	CD/SQ M	
	0°	180°
45	25179	10607
55	16828	1137
65	11882	154
75	8819	0
85	4490	0

Single Unit Footcandles

Multiple Unit Footcandles

DD	Distance from wall (single fixture)							2'6" from wall (spacing between fixtures)				3' from wall (spacing between fixtures)						
	1'	2'	3'	4'	5'	6'	3'	4'	4'	5'	4'	5'	5'	6'				
1	10	7	3	1	1	0	12	10	12	11	6	11	8	7	8	7	5	7
2	16	12	6	3	1	1	21	19	21	18	12	18	15	14	15	12	10	12
3	16	12	7	3	2	1	23	22	23	19	15	19	18	18	18	15	13	15
4	12	10	7	4	2	1	20	20	20	16	14	16	18	18	18	14	13	14
5	8	7	5	4	2	1	16	16	16	12	12	12	15	15	15	12	12	12
6	6	5	4	3	2	1	12	12	12	10	10	10	13	13	13	10	10	10
7	4	4	3	2	2	1	9	9	9	8	8	8	10	10	10	8	8	8
8	3	3	2	2	1	1	7	7	7	6	6	6	8	8	8	7	7	7
9	2	2	2	1	1	1	6	6	6	5	5	5	6	6	6	5	5	5
10	2	2	1	1	1	1	4	4	4	4	4	4	5	5	5	4	4	4

Notes:

- Illuminance values for multiple fixtures are based upon the center two units of a four unit array. Footcandle values are centerline of fixtures and centered between fixtures.
- Illuminance values are cosine corrected initial values with no contribution from inter reflections from other room surfaces. Total illumination may increase from contributions from other surfaces.
- Changing fixture spacing will affect illuminance level.

$$\text{New Fc} = \frac{\text{Existing Spacing}}{\text{New Spacing}} \times \text{Average Table Fc Level}$$
- When selecting colored cones option, only downlight cone is colored; the wall wash reflector is specular clear. This allows the color (CRI, °K) of the light source to be unaffected and maximizes lumen output.

