

DESCRIPTION

Low brightness 6" aperture reflector for use with 42W Triple Twin Tube 4-pin lamps for below ceiling installation. The precisely formed non-imaging reflector ensures 55° cutoff to lamp and lamp image and the one piece design eliminates light leaks at the ceiling. Standard features include low iridescent finish on all reflector colors to eliminate "rainbowing" and one electronic ballast. Venting ensures maximum lamp life and lumen output. Adjustable socket locks lamp into optimal position and cannot be disturbed by normal maintenance. Optics offer unparalleled performance in glare free lighting with a smooth beam. Medium beam, wide beam, lens, and open wall wash reflectors are interchangeable within the same housing.

Catalog #		Type
Project		
Comments		Date
Prepared by		

SPECIFICATION FEATURES

Reflector

.050" thick aluminum, in a one piece spun macrofocal parabolic contour. Available in a variety of Alzak® finishes. Positive reflector mounting pulls trim tight to ceiling.

Trim Ring Options

Self flanged or molded white trim ring. Rimless or metal trim ring accessories available.

Socket Connector

One piece vented and finned die cast aluminum cap for maximum thermal performance.

Housing Construction

Galvanized steel plaster ring accommodates up to 1" ceiling thickness.

Conduit Fittings

Die cast screw tight connectors.

Socket

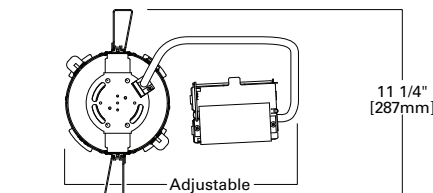
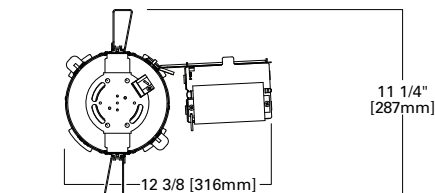
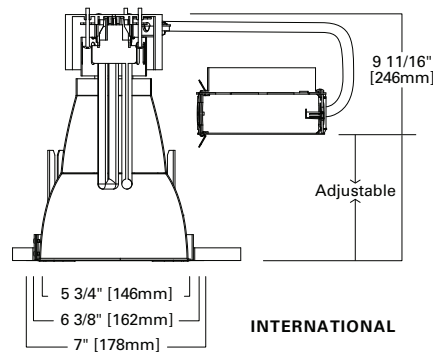
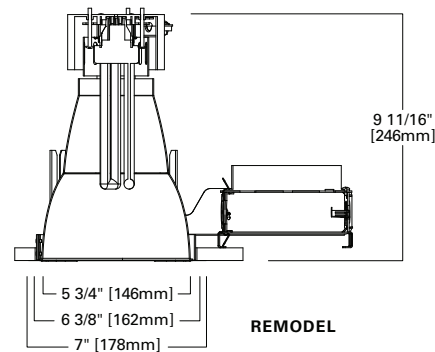
4 pin GX24q-4 base with fatigue free stainless steel lamp spring ensures positive lamp retention.

Electronic Ballast

Electronic ballast provides full light output and rated lamp life. Provides flicker free and noise free operation and starting. End of lamp life protection is standard.

Labels

cULus listed, standard damp label, IBEW union made.



C6RV042
C6IV042

6450/6451

42W TTT

Compact Fluorescent

6-Inch

Remodel/International

Wide Beam Vertical Downlight

Energy Data

Sound Rating: Class A standards	
42W Triple 4-pin	
Ballast: Electronic	
Min Starting Temperature: 10°C (50°F)	
120V Input Watts: 48	Line Amps: 0.32
277V Input Watts: 48	Line Amps: 0.18
Power Factor: >0.99	THD: <10%

Example:

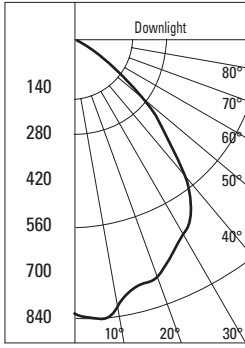
C6RV042ECP 6451LI WF = 6" CFL Vertical Wide Beam Remodel Downlight, (1) 42 Watt TTT lamp with 120/277 Volt, Chicago Plenum, Self Flanged with Specular Clear Finish

Housing	Ballast	Options	Reflector	Finish	Option	Accessories
<p>C6RV042 = 6" CFL Vertical Remodel, (1) 42W TTT</p> <p>C6IV042 = 6" CFL Vertical International, (1) 42W TTT</p>	<p>E = 120/277V 50/60 Hz Electronic</p> <p>3E = 347V 50/60 Hz Electronic</p> <p>D42 = 42W 120-277V Dimming, Lutron EcoSystem</p>	<p>CP = Chicago Plenum</p> <p>EM = Emergency Module with Remote Test Switch</p> <p>IEM = Emergency Module with Integral Test Switch</p>	<p>6451 = Wide Beam Downlight Reflector, Self Flanged</p> <p>6450 = Wide Beam Downlight Reflector, Polymer Trim Ring</p> <p>6451E = Wide Beam Downlight Reflector, Self Flanged, use with IEM</p> <p>6450E = Wide Beam Downlight Reflector, Polymer Trim Ring use with IEM</p>	<p>LI = Specular Clear</p> <p>H = Semi-Specular Clear</p> <p>WMH = Warm Haze</p> <p>G = Specular Gold</p> <p>WH = Wheat</p> <p>WHH = Wheat Haze</p> <p>GP = Graphite</p> <p>GPH = Graphite Haze</p> <p>CC = Chocolate</p> <p>CCH = Chocolate Haze</p> <p>K = Cognac</p> <p>KH = Cognac Haze</p> <p>B = Specular Black</p> <p>W = Gloss White</p>	<p>WF = White painted flange (self flanged only)</p>	<p>TRM6 = Metal Trim Ring, Specify Finish¹</p> <p>TRR6 = Rimless Trim Ring¹</p> <p>FK5 = 5 Amp Field Installable Fuse Kit 300V Max</p> <p>DT6 = Deco trim¹</p> <p>ABR6P = Remodel Adaptor Ring for 7" OD</p> <p>ABR7P = Remodel Adaptor Ring for 8" OD</p> <p>ABR8P = Remodel Adaptor Ring for 9" OD</p>

Notes: 1 Order trim with polymer trim ring (Consult specification sheet for ordering information and options).

PHOTOMETRICS

Candlepower Distribution Curve



Test No. H22241
 C6RV042 6450LI
 Lamp = 42W TTT
 Lumens = 3200
 Spacing Criterion = 1.2
 Efficiency = 43.6%

Cone of Light

Distance Fixture to Lighted Plane	Initial Footcandles at Nadir	Beam Diameter
5'6"	28	6'6"
6'6"	20	7'6"
8'0"	13	9'6"
10'0"	8	12'0"
12'0"	6	14'0"
14'0"	4	16'6"

Zonal Lumen Summary

Zone	Lumens	%Fixture
0-30	648	46.4
0-40	1013	72.6
0-60	1384	99.2
0-90	1395	100.0
90-180	0	0.0
0-180	1395	100.0

Luminance

Degrees Vertical	CD/SQ M
45	31281
55	6335
65	1045
75	215
85	0

Candela Distribution

Degrees Vertical	CD
0	838
5	869
15	799
25	734
35	585
45	371
55	61
65	7
75	1
85	0
90	0

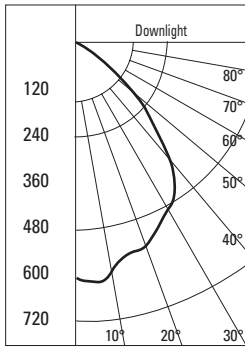
Beam diameter is to 50% of maximum footcandles, rounded to the nearest half-foot.

Footcandle values are initial, apply appropriate light loss factors where necessary.

EM Multiplier (in emergency mode):
 EM = .24

PHOTOMETRICS

Candlepower Distribution Curve



Test No. H22242
 C6RV042 6450LI
 Lamp = 42W PLT
 Lumens = 3200
 Spacing Criterion = 1.3
 Efficiency = 35.8%

Cone of Light

Distance Fixture to Lighted Plane	Initial Footcandles at Nadir	Beam Diameter
5'6"	20	7'6"
5'6"	15	8'6"
8'0"	10	10'6"
10'0"	6	13'0"
12'0"	4	16'0"
14'0"	3	18'6"

Zonal Lumen Summary

Zone	Lumens	%Fixture
0-30	549	48.0
0-40	864	75.5
0-60	1135	99.2
0-90	1144	100.0
90-180	0	0.0
0-180	1144	100.0

Luminance

Degrees Vertical	CD/SQ M
45	26033
55	2559
65	819
75	276
85	0

Candela Distribution

Degrees Vertical	CD
0	616
5	664
15	675
25	638
35	506
45	309
55	25
65	6
75	1
85	0
90	0

Beam diameter is to 50% of maximum footcandles, rounded to the nearest half-foot.

Footcandle values are initial, apply appropriate light loss factors where necessary.

EM Multiplier (in emergency mode):
 EM = .24