

DESCRIPTION

6-inch square recessed horizontal open downlight designed for use with compact fluorescent 18/26/32/42W TTT or DTT lamps. Two-stage reflector system produces smooth distribution with excellent light control and low aperture brightness. Lensed downlight is interchangeable within the same housing.

Catalog #		Type
Project		
Comments		Date
Prepared by		

SPECIFICATION FEATURES

Reflector

Miro® curved upper reflector provides smooth beam with even distribution. Lower reflector available in all Portfolio finishes.

Trim Retention

Reflector is retained with two torsion springs holding the flange tightly to the finished ceiling surface.

Plaster Frame / Collar

Galvanized steel plaster frame with adjustable collar adjusts for up to 2" thick ceilings and rotates +/- 7.5°.

Universal Mounting Bracket

Accepts 1/2" EMT, C channel and bar hangers and adjusts 5" vertically from above and below the ceiling.

Junction Box

(4) 1/2" and (2) 3/4" trade size pry outs positioned to allow straight conduit runs. Listed for (8) #12 AWG (four in, four out) 90°C conductors and feed thru branch wiring.

Rotary Lock Socket

18W lamps: 4-pin Gx24q2;
26/32W lamps: 4-pin Gx24q3;
42W lamps: Gx24q4.

Bases have fatigue-free stainless steel lamp spring to ensure positive lamp retention.

Electronic Ballast

Electronic ballast provides full light output and rated lamp life. Provides flicker-free and noise-free operation and starting. End of lamp life protection is standard.

Labels

Thermally protected and cULus listed, standard damp label. ARRA compliant.



CSQ6142 6CSQ

18/26/32/42W DTT or TTT
Compact Fluorescent

6-Inch Square Downlight

Energy Data

Sound Rating: Class A standards

18W

Ballast: Electronic

120V Input Watts: 20 Line Amps: 0.17

277V Input Watts: 20 Line Amps: 0.08

Power Factor: >0.99 THD: >10%

Min. Starting Temperature: -10°C (0°F)

26W

Ballast: Electronic

120V Input Watts: 27 Line Amps: 0.23

277V Input Watts: 29 Line Amps: 0.11

Power Factor: >0.99 THD: >10%

Min. Starting Temperature: -18°C (0°F)

32W

Ballast: Electronic

120V Input Watts: 36 Line Amps: 0.31

277V Input Watts: 36 Line Amps: 0.13

Power Factor: >0.99 THD: >10%

Min. Starting Temperature: -18°C (0°F)

42W

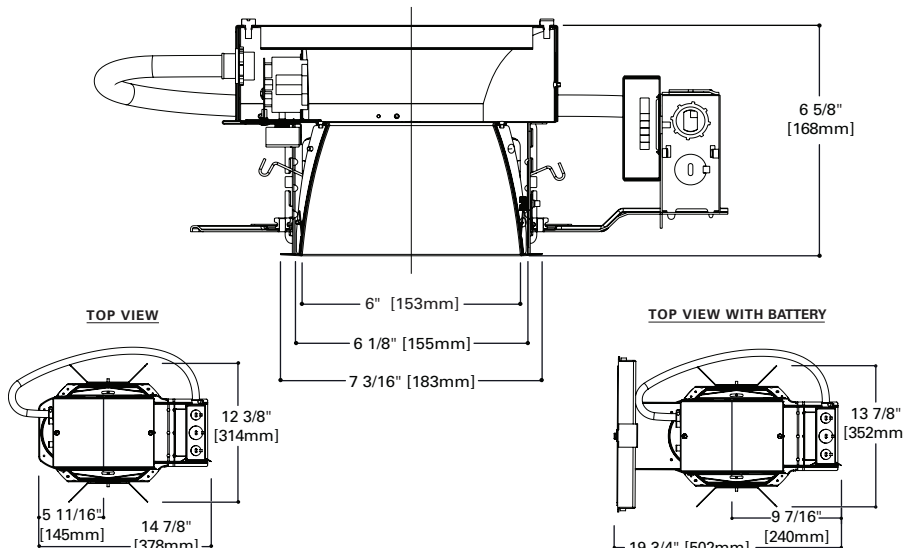
Ballast: Electronic

120V Input Watts: 46 Line Amps: 0.38

277V Input Watts: 46 Line Amps: 0.17

Power Factor: >0.99 THD: >10%

Min. Starting Temperature: -18°C (0°F)



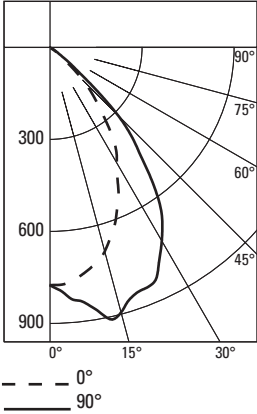
Example:

CSQ6142ECP 6CSQ1LI WF = 6" Square CFL Horizontal Downlight, (1) 42 Watt Triple Twin Tube 120/277 Volt, Chicago Plenum, Self Flanged with Specular Clear Finish

Housing	Wattage Ballast	Options	Reflector	Finish	Option	Accessories
CSQ6 = 6" CFL Horizontal 142 = (1) 26, 32, 42W TTT 118 = (1) 18W E = 120/277V 50/60 Hz Electronic 3E = 347V 50/60 Hz Electronic D18 = 18W 120-277V Dimming, Lutron EcoSystem D26/32 = 26 or 32W 120-277V Dimming, Lutron EcoSystem D42 = 42W 120-277V Dimming, Lutron EcoSystem		CP = Chicago Plenum EM = Emergency Module with Remote Test Switch 6CSQ1 = Downlight Reflector, Self Flanged 6CSQ0 = Downlight Reflector, Polymer Trim Ring		LI = Specular Clear H = Semi-Specular Clear WMH = Warm Haze G = Specular Gold WH = Wheat WHH = Wheat Haze GP = Graphite GPH = Graphite Haze B = Specular Black W = Gloss White	WF = White painted flange (self flanged only)	HB26 = C Channel Bar Hanger, 26" Long, Pair HB50 = C Channel Bar Hanger, 50" Long, Pair RMB22 = Wood Joist Bar Hanger, 22" Long, Pair

PHOTOMETRICS

Candlepower Distribution Curve



Test No. P31058
 CSQ6142E-6CSQ1LI
 Lamp = 32W PLT
 Lumens = 2400
 Spacing Criteria: 0° = .9, 90° = 1.3
 Efficiency = 58%

Zonal Lumen Summary

Zone	Lumens	%Fixture
0-30	730	52.4
0-40	1095	78.6
0-60	1377	98.8
0-90	1393	100.0
90-180	0	0.0
0-180	1393	100.0

Luminance

Degrees	CD/SQ M	
	0°	90°
45	11991	23191
55	2776	4427
65	1120	1528
75	499	499
85	0	0

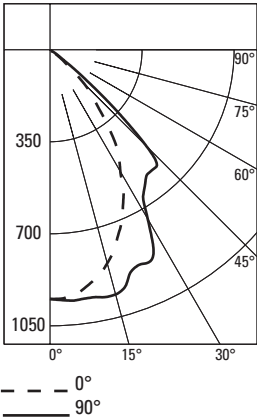
Candela Distribution

Degrees Vertical	0° 90°	
	0	905
5	896	962
15	807	1047
25	622	966
35	422	735
45	197	381
55	37	59
65	11	15
75	3	3
85	0	0
90	0	0

Cone of Light

D	FC	L	W
5'0"	39	4.5	6.5
7'0"	20	6.5	9
8'0"	15	7.5	10
9'0"	12	8.5	11
10'0"	10	9	12.5

Candlepower Distribution Curve



Test No. P31072
 CSQ6142E-6CSQ1LI
 Lamp = 32W TTT
 Lumens = 2400
 Spacing Criteria: 0° = .9, 90° = 1.2
 Efficiency = 56.3%

Zonal Lumen Summary

Zone	Lumens	%Fixture
0-30	699	51.7
0-40	1039	76.9
0-60	1335	98.8
0-90	1351	100.0
90-180	0	0.0
0-180	1351	100.0

Luminance

Degrees	CD/SQ M	
	0°	90°
45	12113	32382
55	3002	4577
65	1120	1629
75	499	499
85	494	0

Candela Distribution

Degrees Vertical	0° 90°	
	0	946
5	935	956
15	840	962
25	657	890
35	437	630
45	199	532
55	40	61
65	11	16
75	3	3
85	1	0
90	0	0

Cone of Light

D	FC	L	W
5'0"	38	4.5	6
7'0"	19	6.5	8
8'0"	15	7.5	9.5
9'0"	12	8.5	10.5
10'0"	9	9.5	11.5