

DESCRIPTION

6-inch square recessed horizontal open downlight designed for use with 18/26/32/42W triple tube compact fluorescent lamps. Regressed lensed reflector produces smooth distribution with excellent light control and low aperture brightness. Open downlight is interchangeable within the same housing.

Catalog #		Type
Project		
Comments		Date
Prepared by		

SPECIFICATION FEATURES

Reflector

Miro® curved upper reflector provides smooth beam with even distribution. Lower reflector available in all Portfolio finishes.

Lens

Choice of prismatic glass, prismatic polycarbonate, diffuse glass, diffuse polycarbonate, clear glass or clear polycarbonate.

Trim Retention

Reflector is retained with two torsion springs holding the flange tightly to the finished ceiling surface.

Plaster Frame / Collar

Galvanized steel plaster frame with adjustable collar adjusts for up to 2" thick ceilings and rotates +/- 7.5°.

Universal Mounting Bracket

Accepts 1/2" EMT, C channel and bar hangers and adjusts 5" vertically from above and below the ceiling.

Junction Box

(4) 1/2" and (2) 3/4" trade size pry outs positioned to allow straight conduit runs. Listed for (8) #12 AWG (four in, four out) 90°C conductors and feed-thru branch wiring.

Rotary Lock Socket

18W lamps: 4-pin Gx24q2;
26/32W lamps: 4-pin Gx24q3;
42W lamps: 4-pin Gx24q4.
Bases have fatigue-free stainless steel lamp spring to ensure positive lamp retention.

Electronic Ballast

Electronic ballast provides full light output and rated lamp life. Provides flicker-free and noise-free operation and starting. End of lamp life protection is standard.

Labels

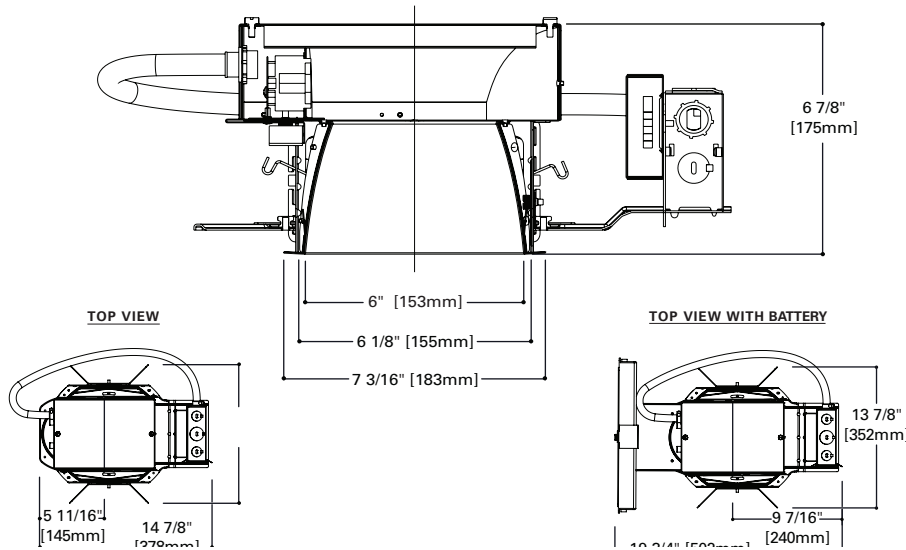
Thermally protected and cULus listed for protected wet locations. ARRA compliant.



CSQ6142 6CSQL

18/26/32/42W
Compact Fluorescent

6-Inch Square Lensed Downlight



Energy Data	
Sound Rating: Class A standards	
18W	
Ballast: Electronic	
120V Input Watts: 20	Line Amps: 0.17
277V Input Watts: 20	Line Amps: 0.08
Power Factor: >0.99	THD: >10%
Min. Starting Temperature: -10°C (0°F)	
26W	
Ballast: Electronic	
120V Input Watts: 27	Line Amps: 0.23
277V Input Watts: 29	Line Amps: 0.11
Power Factor: >0.99	THD: >10%
Min. Starting Temperature: -18°C (0°F)	
32W	
Ballast: Dimming	
120V Input Watts: 36	Line Amps: 0.31
277V Input Watts: 36	Line Amps: 0.13
Power Factor: >0.99	THD: >10%
Min. Starting Temperature: -18°C (0°F)	
42W	
Ballast: Electronic	
120V Input Watts: 46	Line Amps: 0.38
277V Input Watts: 46	Line Amps: 0.17
Power Factor: >0.99	THD: >10%
Min. Starting Temperature: -18°C (0°F)	

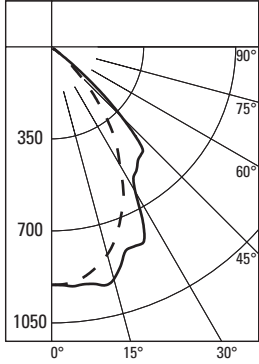
Example:

CSQ6142ECP 6CSQL1LI1 = 6" Square CFL Horizontal Lensed Downlight, (1) 42 Watt Triple Twin Tubes 120/277 Volt, Chicago Plenum, Self Flanged with Specular Clear Finish, Prismatic Lens

Housing	Wattage	Ballast	Options	Reflector	Finish	Lens	Option	Accessories
CSQ6 = 6" CFL Horizontal	142 = 42W TTT 118 = 18W	E = 120/277V 50/60 Hz Electronic 3E = 347V 50/60 Hz Electronic D=18W 120-277V Dimming, Lutron EcoSystem D26/32 = 26 or 32W 120-277V Dimming, Lutron EcoSystem D42 = 42W 120-277V Dimming, Lutron EcoSystem	CP = Chicago Plenum EM = Emergency Module with Remote Test Switch	6CSQL1 = Downlight Reflector Lens Assembly, Self Flanged 6CSQL0 = Downlight Reflector Lens Assembly, Polymer Trim Ring	LI = Specular Clear H = Semi-Specular Clear WMH = Warm Haze G = Specular Gold WH = Wheat WHH = Wheat Haze GP = Graphite GPH = Graphite Haze B = Specular Black W = Gloss White	1 = Prismatic lens 2 = Diffuse lens 3 = Clear lens 1G = Prismatic glass 2G = Diffuse glass 3G = Clear glass	WF = White painted flange (self flanged only)	HB26 = C Channel Bar Hanger, 26" Long, Pair HB50 = C Channel Bar Hanger, 50" Long, Pair RMB22 = Wood Joist Bar Hanger, 22" Long, Pair

PHOTOMETRICS

Candlepower Distribution Curve



Test No. P31147
 CSQ6142E-6CSQ1LI3
 Lamp = 32W TTT
 Lumens = 2400
 Spacing Criteria: 0°=1, 90°=1.1
 Efficiency = 50.1%

Zonal Lumen Summary

Zone	Lumens	%Fixture
0-30	650	54.1
0-40	948	78.8
0-60	1189	98.9
0-90	1202	100.0
90-180	0	0.0
0-180	1202	100.0

Luminance

Degrees	CD/SQ M	
	0°	90°
45	10287	24043
55	2776	3377
65	1018	1324
75	333	499
85	0	0

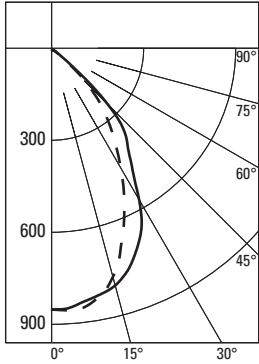
Candela Distribution

Degrees Vertical	0° 90°	
	0	902
5	895	911
15	815	912
25	646	820
35	416	564
45	169	395
55	37	45
65	10	13
75	2	3
85	0	0
90	0	0

Cone of Light

D	FC	L	W
5'0"	36	4.5	5.5
7'0"	18	6.5	8
8'0"	14	7	9
9'0"	11	8	10
10'0"	9	9	11

Candlepower Distribution Curve



Test No. P31148
 CSQ6142E-6CSQ1LIG
 Lamp = 32W TTT
 Lumens = 2400
 Spacing Criteria: 0°=.9, 90°=1.1
 Efficiency = 43.9%

Zonal Lumen Summary

Zone	Lumens	%Fixture
0-30	581	55.1
0-40	842	79.8
0-60	1043	98.9
0-90	1055	100.0
90-180	0	0.0
0-180	1055	100.0

Luminance

Degrees	CD/SQ M	
	0°	90°
45	11261	8826
55	2626	1951
65	917	713
75	333	166
85	0	0

Candela Distribution

Degrees Vertical	0° 90°	
	0	847
5	852	840
15	771	798
25	564	682
35	359	456
45	185	282
55	35	40
65	9	11
75	2	2
85	0	0
90	0	0

Cone of Light

D	FC	L	W
5'0"	34	4.5	5.5
7'0"	17	6	7.5
8'0"	13	7	8.5
9'0"	10	8	9.5
10'0"	8	9	10.5