

DESCRIPTION

6 inch square recessed horizontal open downlight designed for use with 18W or 26W compact fluorescent lamps. Regressed lensed reflector produces smooth distribution with excellent light control and low aperture brightness. Open downlight is interchangeable within the same housing.

Catalog #		Type
Project		
Comments		Date
Prepared by		

SPECIFICATION FEATURES

Reflector

Miro® curved upper reflector provides smooth beam with even distribution. Lower reflector available in all Portfolio finishes.

Lens

Choice of prismatic glass, prismatic polycarbonate, diffuse glass, diffuse polycarbonate, clear glass or clear Polycarbonate.

Trim Retention

Reflector is retained with two torsion springs holding the flange tightly to the finished ceiling surface.

Plaster Frame / Collar

Galvanized steel plaster frame with adjustable collar adjusts for up to 2" thick ceilings and rotates +/- 7.5°.

Universal Mounting Bracket

Accepts 1/2" EMT, C channel and bar hangers and adjusts 5" vertically from above and below the ceiling.

Junction Box

(4) 1/2" and (2) 3/4" trade size pry outs positioned to allow straight conduit runs. Listed for (8) #12 AWG (four in, four out) 90°C conductors and feed thru branch wiring.

Rotary Lock Socket

18W lamps: 4-pin G24q2; 26W lamps: 4-pin G24q3. Bases have fatigue-free stainless steel lamp spring ensures positive lamp retention.

Electronic Ballast

Electronic ballast provides full light output and rated lamp life. Provides flicker free and noise free operation and starting. End of lamp life protection is standard.

Labels

Thermally protected and cULus listed for protected wet locations. ARRA compliant.

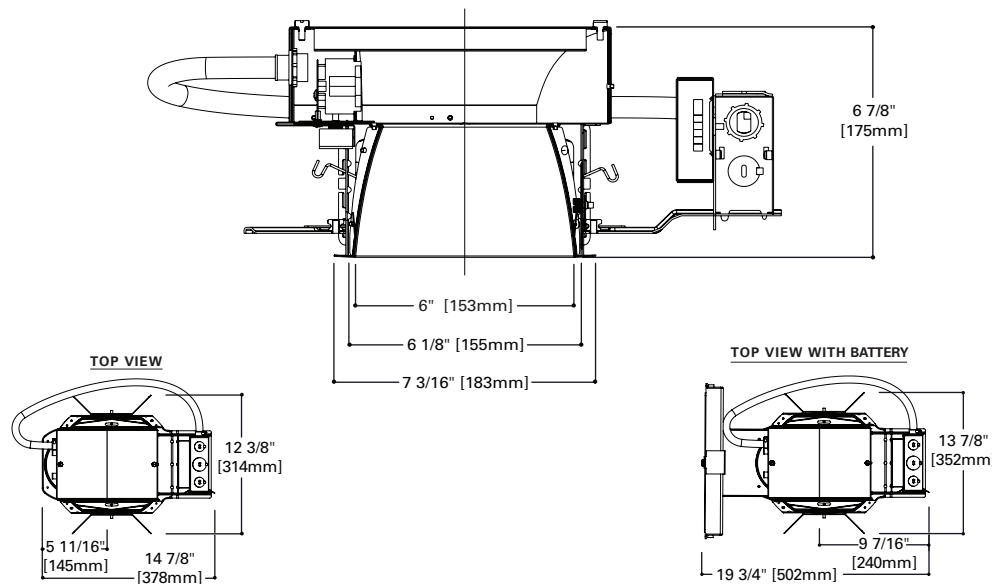


CSQ6218
CSQ6226

6CSQL

2 Lamp 18W or 26W DTT
Compact Fluorescent

6-Inch
Square Lensed Downlight



Energy Data

Ballast: Electronic	
Sound Rating: Class A standards	
Min. Starting Temperature: -18°C (0°F)	
Power Factor: >0.99	THD: >10%
(2) 26W DTT	
120V Input Watts: 54	Line Amps: 0.45
277V Input Watts: 54	Line Amps: 0.20

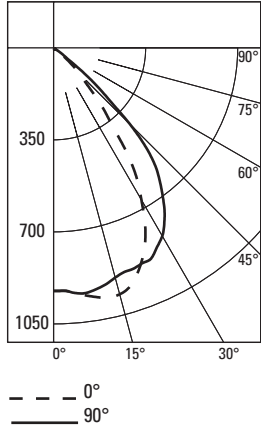
Example:

CSQ6218ECP 6CSQL1LI1 = 6" Square CFL Horizontal Lensed Downlight, (2) 18 Watt Double Twin Tubes 120/277 Volt, Chicago Plenum, Self Flanged with Specular Clear Finish,

Housing	Wattage	Ballast	Options	Reflector	Finish	Lens	Option	Accessories
CSQ6 = 6" CFL Horizontal	218 = (2) 18W DTT 226 = (2) 26W DTT	E = 120/277V 50/60 Hz Electronic 3E = 347V 50/60 Hz Electronic D = 120-277V Dimming, Lutron EcoSystem	CP = Chicago Plenum EM = Emergency Module with	6CSQL1 = Downlight Reflector Lens Assembly, Self Flanged 6CSQL0 = Downlight Reflector Lens Assembly, Polymer Trim Ring	LI = Specular Clear H = Semi-Specular Clear WMH = Warm Haze G = Specular Gold WH = Wheat WHH = Wheat Haze GP = Graphite GPH = Graphite Haze B = Specular Black W = Gloss White	1 = Prismatic lens 2 = Diffuse lens 3 = Clear lens 1G = Prismatic glass 2G = Diffuse glass 3G = Clear glass	WF = White painted flange (self flanged only)	HB26 = C Channel Bar Hanger, 26" Long, Pair HB50 = C Channel Bar Hanger, 50" Long, Pair RMB22 = Wood Joist Bar Hanger, 22" Long, Pair

PHOTOMETRICS

Candlepower Distribution Curve



Test No. P31151
 CSQ6226E-6CSQL1L13
 Lamp = 26W DTT
 Lumens = 1800
 Spacing Criteria: 0°=1.1, 90°=1.3
 Efficiency = 40.3%

Zonal Lumen Summary

Zone	Lumens	%Fixture
0-30	744	51.3
0-40	1135	78.2
0-60	1435	98.8
0-90	1451	100.0
90-180	0	0.0
0-180	1451	100.0

Luminance

Degrees	CD/SQ M	
	0°	90°
45	9008	25991
55	2551	4352
65	1018	1629
75	333	665
85	0	0

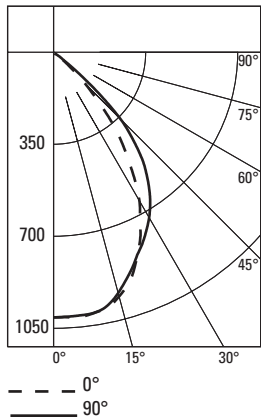
Candela Distribution

Degrees Vertical	Degrees	
	0°	90°
0	918	918
5	929	929
15	964	899
25	820	877
35	493	732
45	148	427
55	34	58
65	10	16
75	2	4
85	0	0
90	0	0

Cone of Light

D	FC	L	W
5'0"	37	5.5	6.5
7'0"	19	7.5	9
8'0"	15	8.5	10
9'0"	12	10	11.5
10'0"	9	11	13

Candlepower Distribution Curve



Test No. P31152
 CSQ6226E-6CSQL1L11G
 Lamp =26W DTT
 Lumens = 1800
 Spacing Criteria: 0°=1.0, 90°=1.1
 Efficiency = 38.2%

Zonal Lumen Summary

Zone	Lumens	%Fixture
0-30	727	52.8
0-40	1083	78.7
0-60	1360	98.9
0-90	1376	100.0
90-180	0	0.0
0-180	1376	100.0

Luminance

Degrees	CD/SQ M	
	0°	90°
45	11747	22886
55	2701	4052
65	917	1528
75	333	499
85	0	0

Candela Distribution

Degrees Vertical	Degrees	
	0°	90°
0	1002	1002
5	1007	1000
15	957	944
25	779	798
35	498	635
45	193	376
55	36	54
65	9	15
75	2	3
85	0	0
90	0	0

Cone of Light

D	FC	L	W
5'0"	40	5	5.5
7'0"	20	7	7.5
8'0"	16	8	9
9'0"	12	9	10
10'0"	10	10	11