

chef's table

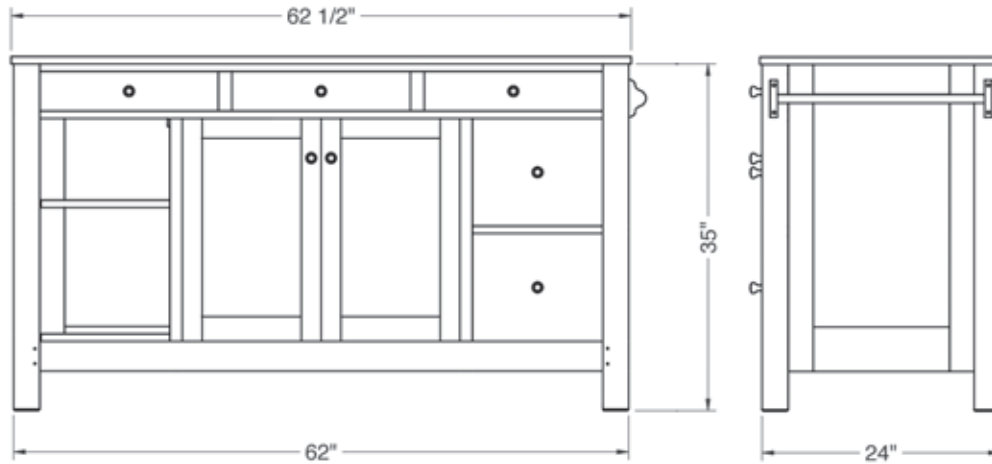
KCT-0001 · 35"H x 64"W x 24"D



chef's

 **THOS. MOSER**

72 Wright's Landing | Auburn, ME | p: 800 862 1973 | f: 207 784 6973 | thosmoser.com



chef's table

KCT-0001 · 35" H x 64" W x 24" D

Elevating the ubiquitous kitchen island to a trim and beautiful form, our versatile Chef's Table presents the chef with a generous amount of workspace and storage in a streamlined footprint. Standard counter height, the Chef's Table fits three stools on one side. Five ingeniously fashioned drawers extend a full 18" for the easy retrieval of kitchen utensils. Open shelves and a towel bar hold accessories within easy grasp, while a paneled cupboard stows pots and pans out of sight.



 **THOS. MOSER**

72 Wright's Landing | Auburn, ME | p: 800 862 1973 | f: 207 784 6973 | thosmoser.com