

vita lounge

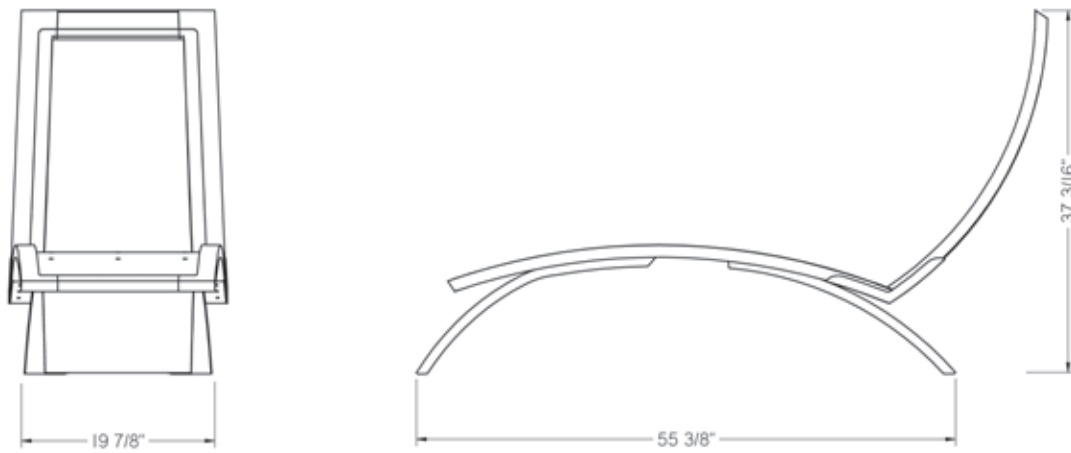
VL · 36"H x 22"W x 66"D



vita

 **THOS. MOSER**

72 Wright's Landing | Auburn, ME | p: 800 862 1973 | f: 207 784 6973 | thosmoser.com



vita lounge

VL · 36"H x 22"W x 66"D

Although modern in detail, the Vita Lounge continues our attempt to interpret good historical design in a Thos. Moser manner. The curved seat and back are constructed with solid matched-grain cherry and suspended over laminated, curved feet. The tufted, hand-stitched cushions are ergonomically set in the cantilevered frame making the Vita Lounge a luxurious oasis on which the body—and the eye—will feel free to linger.

