

Koroseal Wall Protection Systems

Korowood™ Handrail (HW20, HW40)

Installation Instructions

Sheet #1

Recommended Installer Qualifications: Only those parties experienced in working with finished fine wood products should engage in installing **KOROWOOD™** Handrail.

Recommended Installation Equipment: Radial Arm Saw or Power Miter Box with 12" (304.8mm) sharp carbide-tipped Alternating Tooth Bevel-Positive Hook 80-100 teeth blade, Power Biscuit Cutter, Tape Measure, Level, Chalk Line, Utility Knife, Drill, Drill Bits, Screwdriver, Sanding Block, Wood Glue, Removable Marker, Cleaning Cloth, and Suitable 1/4" x 5" (6.35mm x 127.0mm) Long Mounting Fasteners.

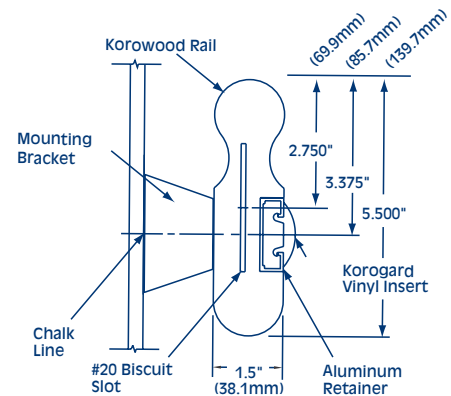
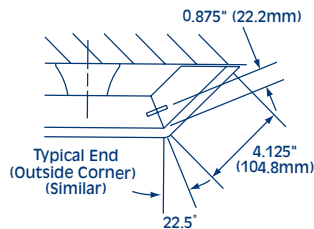
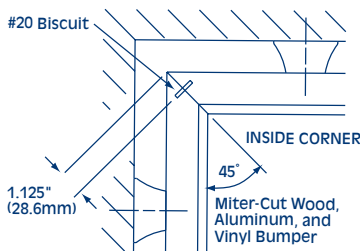
1. Locate and install **KOROWOOD** Handrail in accordance with architectural drawings and specifications. When required, **KOROSEAL®** shop drawings should be used in conjunction with these documents.
2. Lay out work to be completed, including all component parts, along base of substrate (wall). Check material for any damage that may have occurred during shipment and/or handling at job site.
3. Snap chalk line at proper location on substrate to ensure level installation. Chalk line should be calculated to center line of mounting bracket wall fasteners.

NOTE: Chalk line will be visible after installation and must be removed at cleanup.

4. The aluminum retainer insert is to be installed in cutout on face of rail using #8 x 1/2" (12.7mm) truss or pan head screws (supplied by **KOROSEAL**) at 24" (609.6mm) maximum spacing. At this point, retainer may be installed and cut with wood rail (see below) or it may be cut to appropriate length separately and then installed in rail. After cutting to finished dimension, drill and install additional screws 1" to 3" (25.4mm to 76.2mm) in from retainer ends as necessary to properly secure retainer ends to rail.

NOTE: At Handrail splice conditions, cut retainer so that splice in retainer is offset 12" (304.8mm) from splice in wood rail, and drill and screw retainer to rail on both sides of splice in wood.

5. Determine cut length of rail by locating ends on substrate, measure distance, and allow 3-1/2" (88.9mm) at end returns, 3" (76.2mm) at substrate inside corners, and 0" (0mm) at substrate outside corners. Mark Handrail at face of wood and miter-cut rail in appropriate direction to appropriate length. Miter ends at end returns and outside corners to 22-1/2° and ends at inside corners to 45° (see details). Use care to assure accurate and clean cuts. (Wrap finished rail with masking tape at location of cut and cut so that saw blade rotates into face of rail as it cuts.)
6. Using a biscuit cutter, set blade for #20 biscuits and slot ends 7/8" (22.23mm) from wood face of rail to match mating pieces except at 45° miters (inside corners); here locate slot 1-1/8" (57.6mm) from back of rail.



MODEL HW20

Koroseal Wall Protection Systems

Korowood™ Handrail (HW20, HW40)

Installation Instructions

7. If structural cross-blocking has been incorporated in substrate construction, drill 9/32" (7.15mm) holes through Handrail along center line of aluminum retainer insert at 3"-6" (76.2mm-152.4mm) in from each end of rail and intermediate locations not exceeding 32" (812.8mm) O.C. Then place wood rail in proper position on chalk line and mark hole locations on substrate. Drill holes in substrate using proper bit size for selected fasteners and proceed to instruction #9. If only vertical studding is available, refer to instruction #8.
8. Locate centers of vertical studs in substrate, place sized rail in proper position against wall, and transfer locations of same to center line of aluminum retainer. Drill 9/32" (7.15mm) holes through Handrail along center line of retainer at these locations closest to each end of rail and at intermediate locations not greater than 32" (812.8mm) apart. Replace wood rail in proper position on chalk line and mark hole locations on substrate. Drill holes in substrate using proper bit size for selected fasteners.

NOTE: In all cases, Handrail is to be anchored only to the structural framing of the substrate.
9. Using wood glue (supplied by installer), glue #20 biscuits (supplied by **KOROSEAL®**) in rail ends and trial-fit adjoining piece to assure proper fit. If satisfactory, assure that surfaces to be glued are clean and unfinished (sand if required) and glue adjoining parts together, carefully aligning parts. Allow glue to set and wipe any excess from joint with water-moistened cloth. Where possible, join parts prior to mounting rail to substrate.
10. Mount assembly to substrate using proper fasteners (supplied by installer). Tighten securely.

NOTE: Prior to installation of protective KOROGARD® vinyl accent strip, make sure all fasteners are secured and properly seated.
11. Determine cut length of vinyl insert by measuring face of entire Handrail or using cut lengths of rail and adding 4-1/8" (104.8mm) for end returns and 4-1/4" (108mm) for outside corners. Vinyl is to be continuous, terminated at end of end returns, and interrupted only at inside corners. Mark the measurements on the vinyl, using a soft pencil or other removable marker, at point where back of vinyl contacts face of aluminum retainer. Cut ends of vinyl to 45° in the appropriate direction using a scrap piece of aluminum retainer as holding fixture. Mark location of 45° Handrail joints on vinyl and, using utility knife, notch legs of vinyl to allow it to bend around turns.
12. Install **KOROGARD** vinyl insert starting at longest rail face. Match up and install vinyl at corners, then locate approximate center of rail, seating vinyl there and proceeding out to each corner. Repeat as necessary. Vinyl may be seated by holding at angle, placing one leg inside retainer, pinching between fingers, and applying pressure to seat insert into place.
13. Clean **KOROWOOD™** Handrail using water-moistened cloth. Use the **KOROWOOD** Touch-Up Kit provided to repair stained wood where minor damages or blemishes may have occurred during installation. Touch-Up Kits are not provided for "clear varnish" finished handrails. Use MINWAX brand "Satin Sheen Polyurethane" or equal to overcoat repairs to all finishes.
14. If there are any questions, please call your local **KOROGARD** representative.



800-628-0449 • www.korogard.com • Division 10 26 00

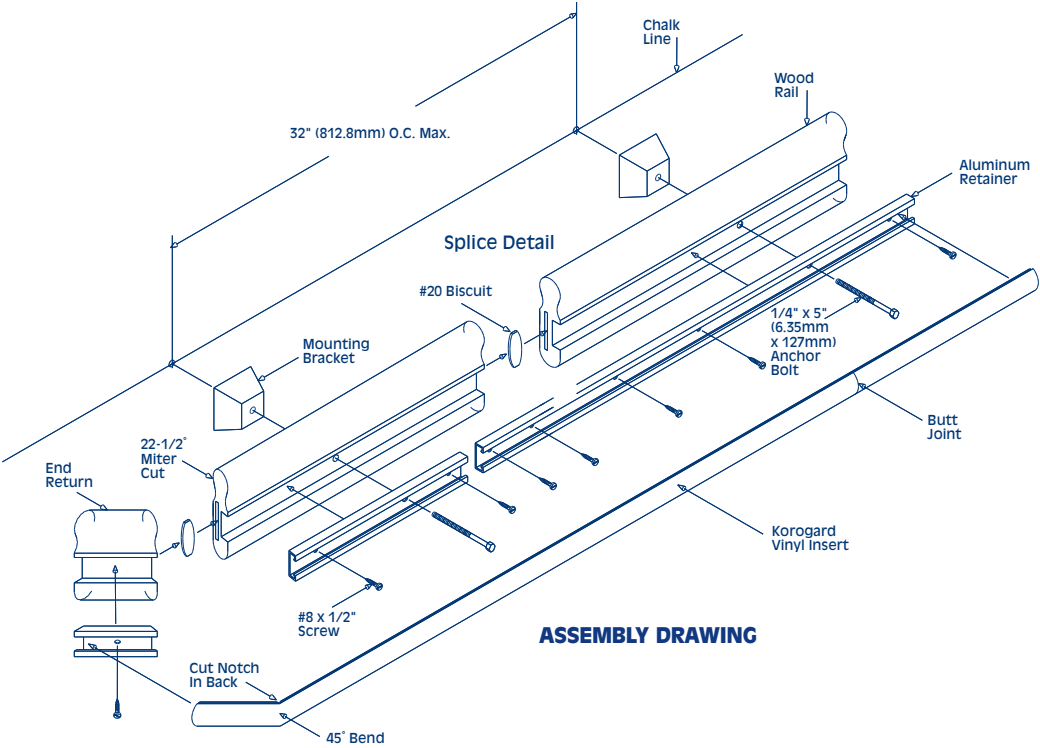
Koroseal Wall Protection Systems

Korowood™ Handrail (HW20, HW40)

Installation Instructions

Sheet #2

Model HW20 is shown

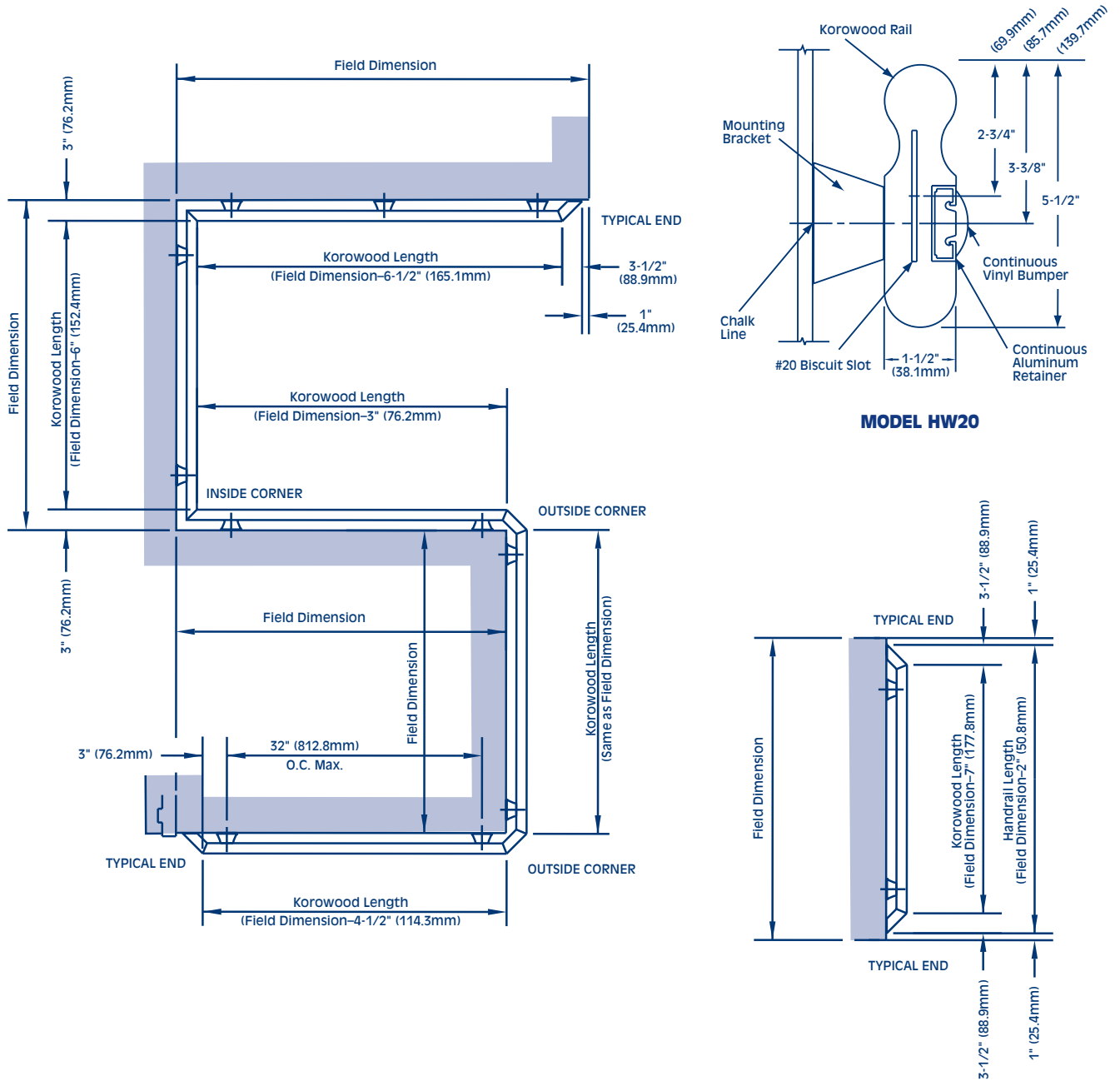


ASSEMBLY DRAWING

Koroseal Wall Protection Systems

Korowood™ Handrail (HW20, HW40)

Installation Instructions



800-628-0449 • www.korogard.com • Division 10 26 00