

# Koroseal Wall Protection Systems

## Korowood™ Handrail (HW70)

### Installation Instructions

Sheet #1

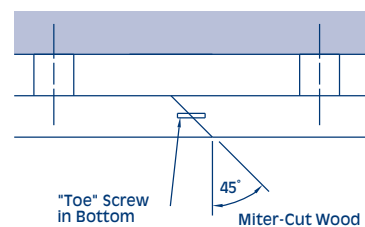
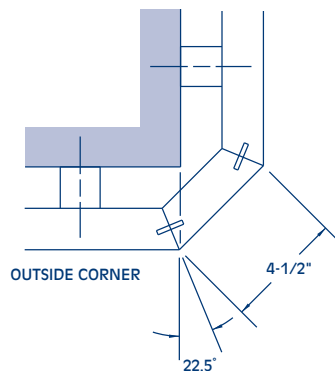
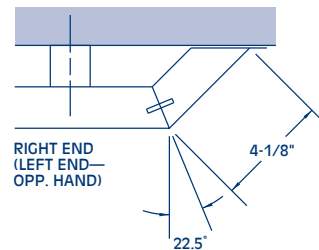
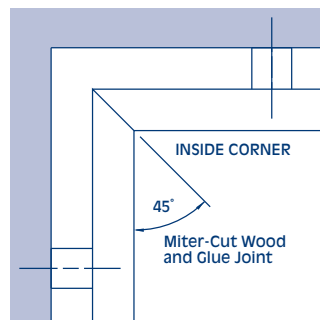
**Recommended Installer Qualifications:** Only those parties experienced in working with finished fine wood products should engage in installing **KOROWOOD™** Handrail.

**Recommended Installation Equipment:** Radial Arm Saw or Power Miter Box with 12" (304.8mm) sharp carbide-tipped Alternating Tooth Bevel-Positive Hook 80-100 teeth blade, Tape Measure, Level, Chalk Line, Utility Knife, Drill, Drill Bits, Screwdriver, Sanding Block, Wood Glue, Removable Marker, Cleaning Cloth, and Suitable 1/4" x 4" (6.35mm x 101.6mm) Long Mounting Fasteners.

1. Locate and install **KOROWOOD** Handrail in accordance with architectural drawings and specifications. When required, **KOROSEAL®** shop drawings should be used in conjunction with these documents.
2. Lay out work to be completed, including all component parts, along base of substrate (wall). Check material for any damage that may have occurred during shipment and/or handling at job site.
3. Snap chalk line at proper location on substrate to ensure level installation. Chalk line should be calculated to center line of mounting bracket wall fasteners.

**NOTE:** Chalk line will be visible after installation and must be removed at cleanup.

4. Determine cut length of rail by locating ends on substrate, measure distance, and allow 3-1/2" (88.9mm) at end returns, 3" (76.2mm) at substrate inside corners, and 0" (0mm) at substrate outside corners. Mark Handrail at face of wood and miter-cut rail in appropriate direction to appropriate length. Miter ends at end returns and outside corners to 22-1/2° and ends at inside corners to 45° (see details). Use care to assure accurate and clean cuts. (Wrap finished rail with masking tape at location of cut and cut so that saw blade rotates into face of rail as it cuts.)



# Koroseal Wall Protection Systems

## Korowood™ Handrail (HW70)

### Installation Instructions

---

5. Trial-fit rail ends and corners to adjoining piece to assure proper fit. If satisfactory, assure that surfaces to be glued are clean and unfinished (sand if required) and glue (using a quality wood glue supplied by installer) adjoining parts together, carefully aligning parts. Allow glue to set and wipe any excess from joint with water-moistened cloth. Where possible, join parts prior to mounting rail to substrate. After glue has dried, pre-drill, counter-sink, and "toe" screw joint in bottom of rail using #10 x 1-1/4" flat head screws.
6. If structural cross-blocking has been incorporated in substrate construction, drill suitable pilot holes in bottom of Handrail along center line at 3"-6" (76.2mm-152.4mm) in from each end of rail and intermediate locations not exceeding 32" (812.8mm) O.C. Attach mounting brackets to rail using #10 x 1-1/4" (31.75mm) screws. Then place wood rail in proper position on chalk line and mark hole locations on substrate. Drill holes in substrate using proper bit size for selected fasteners and proceed to instruction #8. If only vertical studding is available, refer to instruction #7.
7. Locate centers of vertical studs in substrate, place sized rail in proper position against wall, and transfer locations of same to center line of bottom of rail. Drill suitable pilot holes in bottom of Handrail at these locations closest to each end of rail and at intermediate locations not greater than 32" (812.8mm) apart. Replace wood rail in proper position on chalk line and mark hole locations on substrate. Drill holes in substrate using proper bit size for selected fasteners.  
**NOTE: In all cases, Handrail is to be anchored only to the structural framing of the substrate.**
8. Mount assembly to substrate using proper fasteners (supplied by installer). Tighten securely.
9. Clean **KOROWOOD™** Handrail using water-moistened cloth. Repair stained wood where minor damages or blemishes may have occurred during installation. Use MINWAX brand "Satin Sheen Polyurethane" or equal to overcoat repairs to all finishes.
10. If there are any questions, please call your local **KOROGARD** representative.



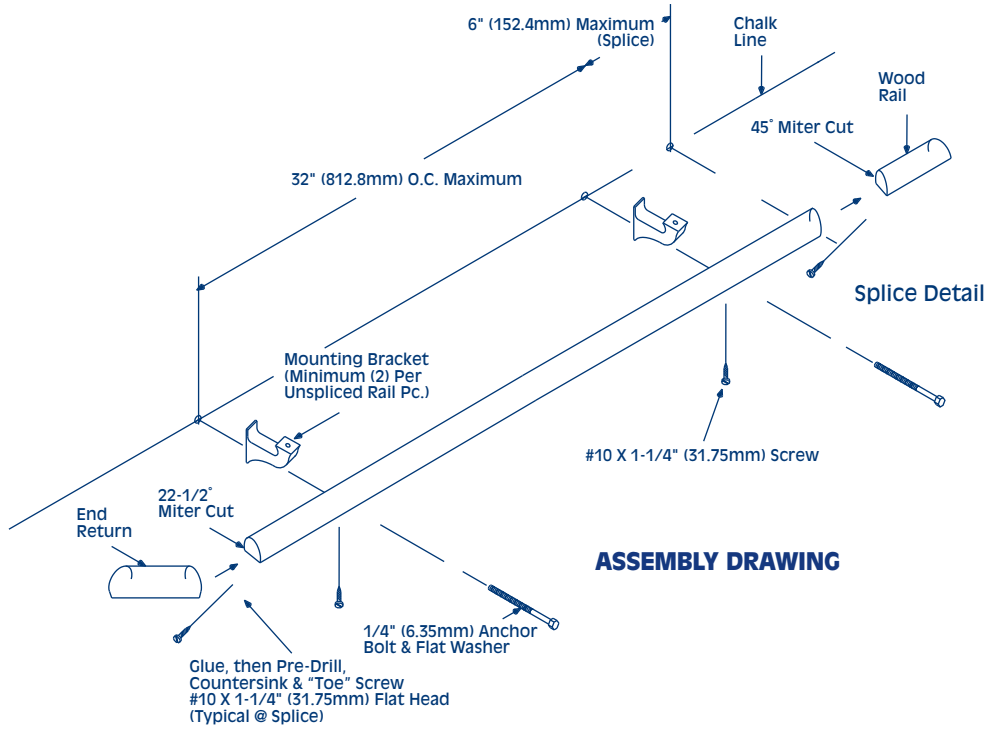
800-628-0449 • [www.korogard.com](http://www.korogard.com) • Division 10 26 00

# Koroseal Wall Protection Systems

## Korowood™ Handrail (HW70)

### Installation Instructions

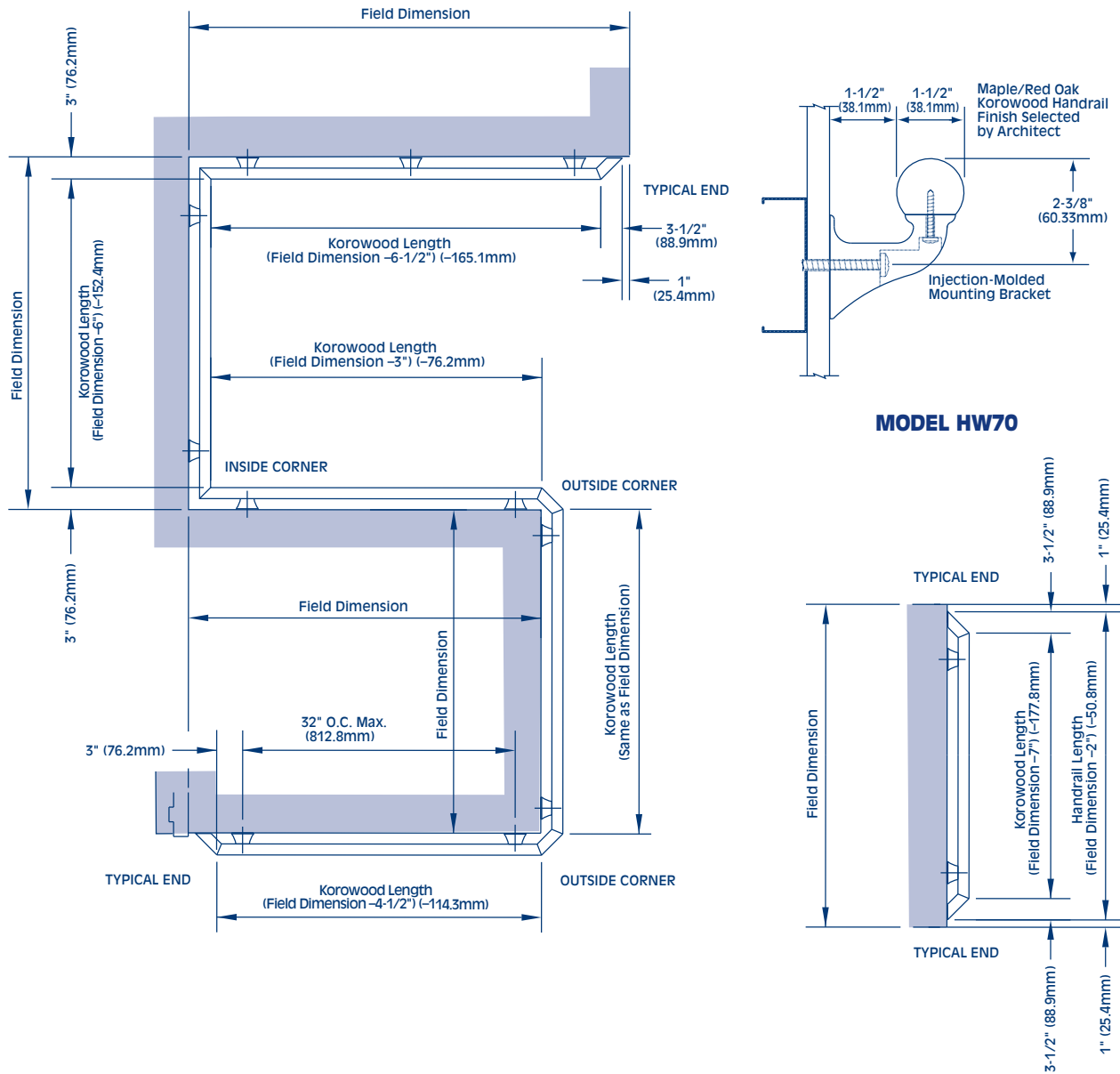
Sheet #2



# Koroseal Wall Protection Systems

## Korowood™ Handrail (HW70)

### Installation Instructions



800-628-0449 • www.korogard.com • Division 10 26 00