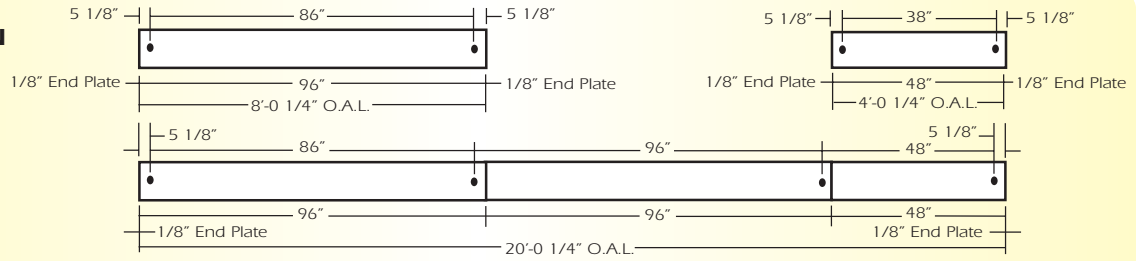


Special Profiles

AD-FOB-D

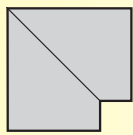
LINEAR SECTIONS AND SUSPENSION LOCATION

SUSPENSION MOUNTING

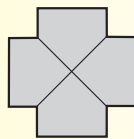


CORNERS

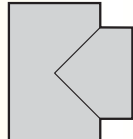
Corners and fixture extensions are custom fabricated to precise dimensions. Please indicate the specific requirements on the layout



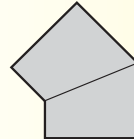
C2
90° Corner



C4
4-Way Corner (Cross)



C3
3-Way Corner (Tee)



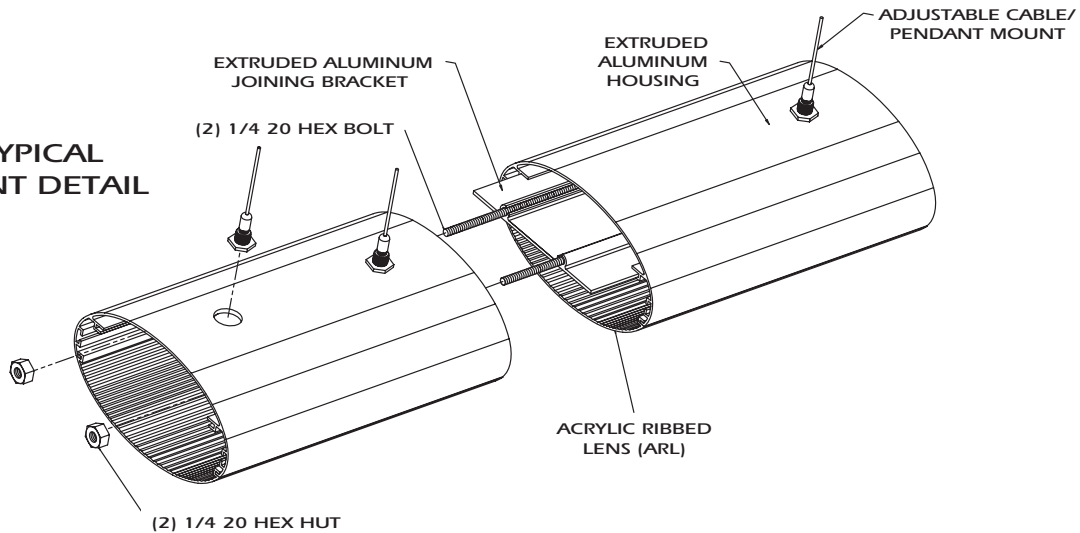
()° AC
Angular Corner

For any angular corner, ()° must be specified and dimensions must be included on the layout

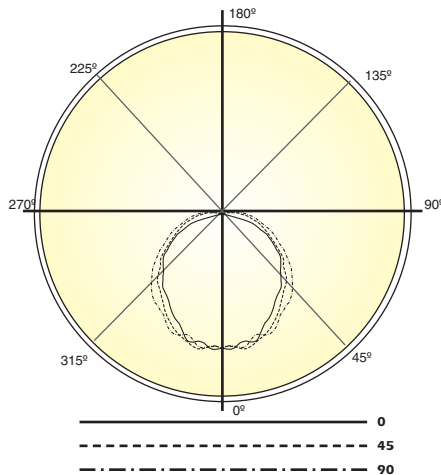
For any pattern, a layout must accompany the order.

INSTALLATION PREPARATION

TYPICAL JOINT DETAIL



PHOTOMETRY



LAMP (3) 32W T8
LUMENS: 2900 PER LAMP

Candela Distribution:

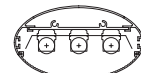
Vert. Angle	0	22.5	45	67.5	90
0	1529	1529	1529	1529	1529
5	1534	1526	1509	1512	1513
10	1471	1545	1562	1490	1538
15	1502	1473	1514	1480	1437
20	1372	1452	1456	1511	1468
25	1299	1340	1385	1426	1440
30	1204	1229	1296	1386	1340
35	1124	1135	1203	1309	1286
40	1062	1054	1117	1219	1236
45	963	994	1053	1123	1144
50	887	904	930	1010	1046
55	824	807	864	911	939
60	692	713	730	770	818
65	607	604	619	696	706
70	466	492	538	599	622
75	358	367	456	517	522
80	188	261	354	427	444
85	78.7	160	274	346	367
90	16.3	83.4	188	264	293

Optical Distribution:
100% Direct

Coefficients of Utilization - Zonal Cavity Method:

pfc = 0.20

	.8	.7	.5	.3	.1	0												
pcc	.8	.7	.5	.3	.1	0												
pw	.7	.5	.3	.1	.5	.3	.1	.5	.3	.1	0							
RCR																		
0	69	69	69	69	67	67	67	67	64	64	64	61	61	61	58	58	58	56
1	62	59	56	53	60	57	55	52	54	52	50	52	50	48	49	48	46	45
2	56	51	46	42	54	49	45	42	47	43	40	44	42	39	42	40	38	36
3	51	44	39	35	49	43	38	34	41	37	33	39	35	32	37	34	32	30
4	46	39	33	29	45	38	33	29	36	32	28	34	31	27	33	30	27	25
5	42	34	29	25	41	34	28	25	32	28	24	31	27	24	29	26	23	22
6	39	31	25	21	38	30	25	21	29	24	21	28	24	21	27	23	20	19
7	36	28	23	19	35	27	22	19	26	22	18	25	21	18	24	21	18	17
8	34	25	20	17	33	25	20	17	24	19	16	23	19	16	22	19	16	15
9	31	23	18	15	30	23	18	15	22	18	15	21	17	14	20	17	14	13
10	29	21	17	13	28	21	16	13	20	16	13	20	16	13	19	15	13	12



Total Luminaire Optical Efficiency = 58.8%

SCW-2