

TYPE _____

FEATURES

The Josa aluminum luminaire is distinguished by its architectural profile and contemporary design. This high quality luminaire is suitable for most lighting systems and can be mounted to suit any project. The highly efficient design produces a uniform direct light distribution. The Josa is ideal where style quality and performance applications apply.

SPECIFICATIONS

- Housing:** One piece heavy gauge extruded aluminum 6063T5 ally welded construction forming a 6" x 7" architectural profile. Finished end caps are aluminum and are mechanically attached.
- Reflector:** Die formed 20 gauge cold rolled steel minimum 90% reflectivity finished in high gloss baked white enamel.
- Shielding:** Parabolic louver is semi-specular low iridescence aluminum with perforated sections 1/8" diameter x 3/16" staggered centers along length of louver. Parabolic louver is 1.5" x 2.4" O.C. with 20 cells per 4' including 3 locking attachments and two tethers securing baffle.
- Electrical:** Ballast is electronic, high power factor, thermally protected class P, sound rated A, with less than 20% total harmonic distortion. The minimum number of ballasts will be used unless otherwise specified.
- Mounting:** Standard Installation is an adjustable self-locking aircraft cable assembly 48" x 3/32" in diameter with 5" canopy. One 16/4 SJT straight 54" cord is supplied with each power feed. Standard pendants are available in 24" lengths. See Accessories for additional mounting.
- Finish:** Fixture housing is finished in candlelight silver and all steel components are finished in baked white enamel applied over a five stage pretreatment process.
- Lamps:** Fixtures are provided for use with one or two 32 watt T8 lamps or 54 watt T5 HO lamps. (Supplied by Others)
- Certification:** Luminaires are U. L. Listed, C. S. A. certified and are Union Made in the United States of America I.B.E.W.

ORDERING GUIDE

MODEL NO.	DIRECTION	SHIELDING	LAMPS	MOUNTING	LENGTH	FINISH	VOLTAGE	OPTIONS
JOSA	D	PBL	132 T8 232 T8 154T5 HO 254T5 HO	AC = Cable PD = Pendant S = Surface	4 = ft 8 = ft	CS = Candlelight Silver CC = Custom Color	120v 277v	See Options Below
			O =Other Specify	See Accessories	for other, please enter row length (eg. 48=48ft)			

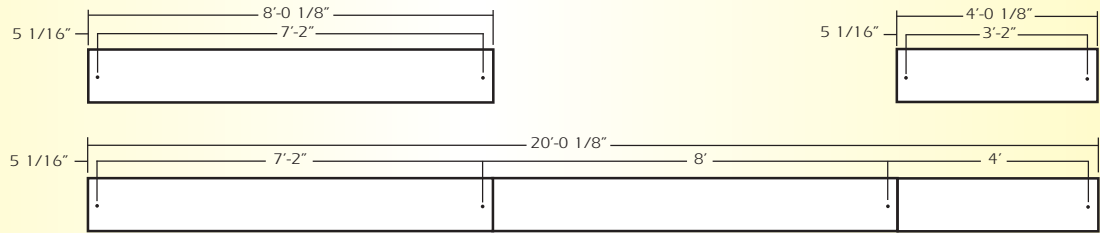
Example: **JOSA-D-PBL-232T8-AC-4-CS-120V**
 JOSA direct with parabolic louver for two 32 watt T8 lamps including two 48 inch aircraft cables and power feed four foot fixture finished in candlelight silver 120v electronic ballast less than 20% total harmonic distortion.

OPTIONS

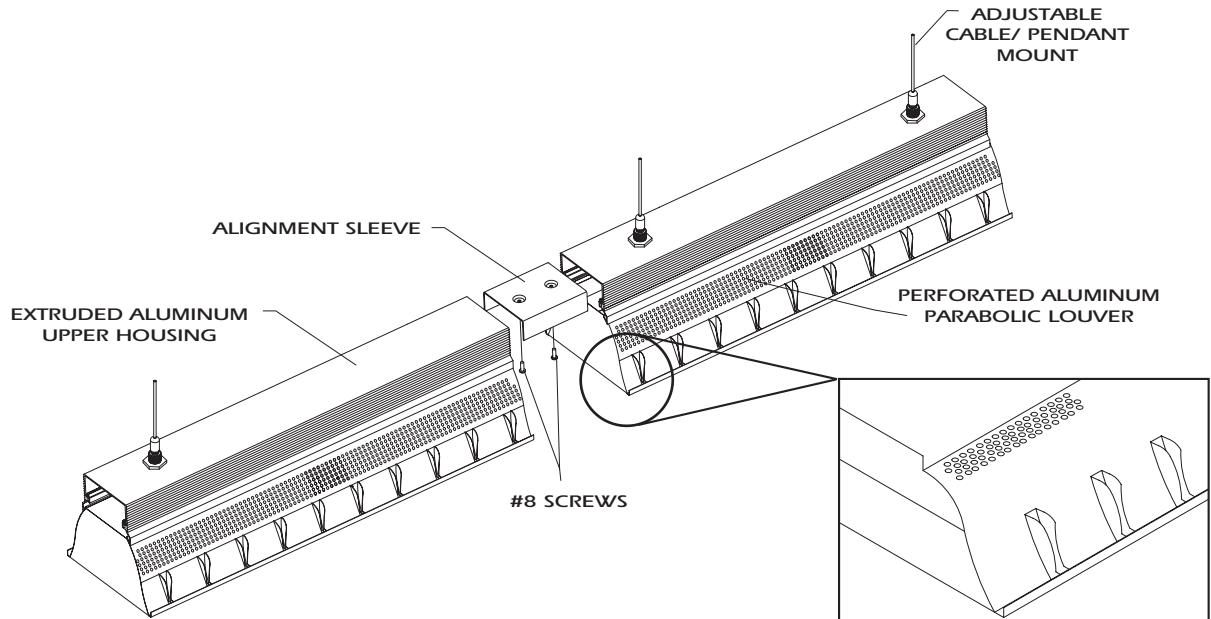
- E10=** Electronic ballast, high power factor, thermally protected class P, sound rated A, < 10% total harmonic distortion
- DIM=** Dimming Ballast
- EPC=** Emergency Battery Pack
- EMC=** Emergency Circuit
- TCW=** Two Circuit Wiring
- TDW=** Tandem Wiring
- OTH=** See Accessories for other options available

LINEAR SECTIONS AND SUSPENSION LOCATION

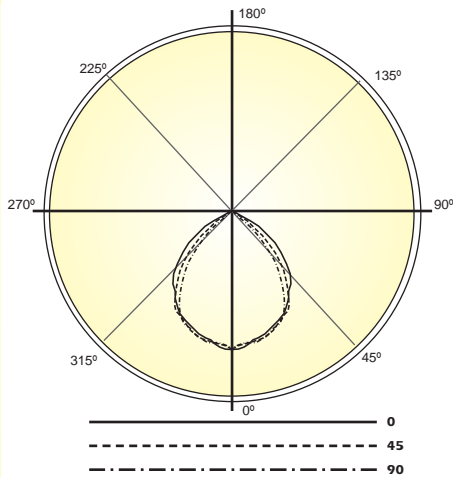
SUSPENSION MOUNTING



INSTALLATION PREPARATION



PHOTOMETRY



LAMP (2) 32W T8
LUMENS: 2900 PER LAMP

Candela Distribution:

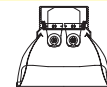
Vert. Angle	0	22.5	45	67.5	90
0	2060	2060	2060	2060	2060
10	2000	1976	2054	1968	2035
20	1876	1875	1855	1873	1847
30	1664	1700	1633	1611	1600
40	1424	1414	1293	1118	1036
50	1179	1054	704	396	297
60	689	506	168	60.4	44.1
70	105	77.3	25.7	21.8	24.3
80	17.1	11.8	10.4	25.7	33.4
90	0.790	1.45	12.7	33.4	46.7
100	1.82	2.04	20.3	41.8	55.3
110	2.32	3.51	17.2	37.6	44.9
120	2.87	3.97	13.1	20.1	27.1
130	3.14	5.30	5.59	11.8	14.4
140	4.51	6.07	7.71	7.59	8.19
150	4.66	6.77	7.15	9.65	9.84
160	3.41	5.37	5.64	6.75	9.34
170	9.71	5.89	7.09	5.63	7.65
180	9.07	9.07	9.07	9.07	9.07

Optical Distribution:
98% Indirect: 2% Direct

Coefficients of Utilization - Zonal Cavity Method:

pfc = 0.20

	.8	.7	.5	.3	.1	0												
pcc	.8	.7	.5	.3	.1	0												
pw	.7	.5	.3	.1	.5	.3	.1	.5	.3	.1	0							
RCR	0	80	80	80	80	78	78	78	78	74	74	74	71	71	68	68	68	66
1	75	73	71	69	73	71	69	67	68	66	65	65	64	63	63	62	61	59
2	70	66	62	59	68	64	61	58	62	59	57	59	57	55	57	55	54	52
3	65	59	55	51	63	58	54	51	56	52	50	54	51	49	52	50	48	46
4	60	53	49	45	59	53	48	44	51	47	44	49	46	43	48	45	42	41
5	56	49	43	40	55	48	43	39	46	42	39	45	41	38	44	40	38	36
6	52	44	39	35	51	44	39	35	42	38	35	41	37	34	40	37	34	33
7	49	41	35	32	47	40	35	31	39	34	31	38	34	31	37	33	31	29
8	45	37	32	29	44	37	32	28	36	31	28	35	31	28	34	30	28	27
9	43	34	29	26	42	34	29	26	33	29	26	32	28	25	32	28	25	24
10	40	32	27	24	39	31	27	24	31	26	23	30	26	23	29	26	23	22



Total Luminaire Optical Efficiency = 68.0%