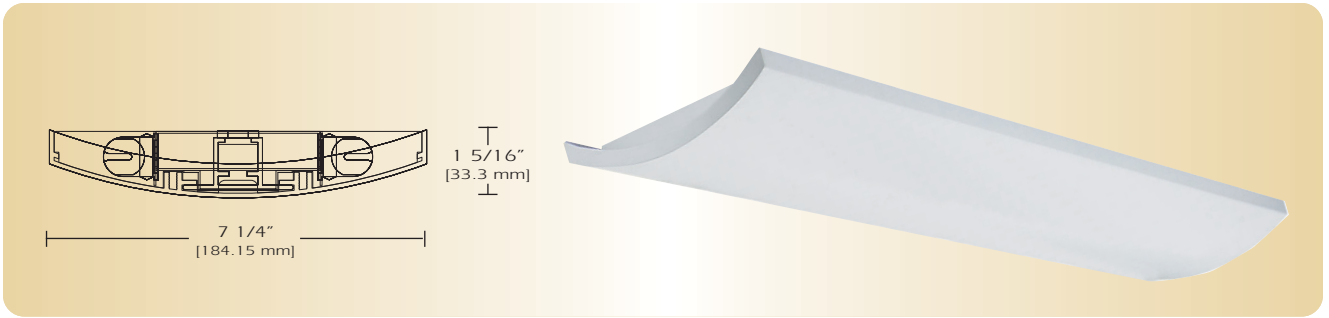


Special Profiles

STYA-I-1



TYPE _____

FEATURES

The Stylelite is a low profile contemporary design indirect luminaire available in three standard housing styles: solid, slim parallelogram and square slot perforations. The Stylelite utilizes T5 lamp technology and a highly reflective specular reflector to create high efficiency optics. It is available in suspended or wall mounted configurations. The Stylelite in aluminum is an excellent choice where quality, design and technology are required in a light system.

SPECIFICATIONS

Housing: One piece heavy gauge extruded aluminum 6063T5 alloy welded construction forming a 1 5/16" x 7 1/4" curved profile. Finished ends are welded extruded aluminum with no exposed hardware or knockouts.

Reflector: Die formed .025 specular reflector minimum 90% reflectivity.

Electrical: Ballast is electronic, high power factor, thermally protected class P, sound rated A, with less than 10% total harmonic distortion. The minimum number of ballasts will be used unless otherwise specified.

Mounting: Standard installation is an adjustable self-locking aircraft cable assembly 48" x 3/32" in diameter with a 5" canopy. One 16/4 SJT straight 54" cord is provided per power feed. Standard pendants are available in 24" lengths. See Accessories.

Finish: Fixture housing and steel components are finished in baked white enamel applied over a five stage pretreatment process.

Lamps: Fixtures are provided for use with two 28 watt T5 or 54 watt T5 HO lamps. (Supplied by Others)

Certification: Luminaires are U. L. listed, C. S. A. certified and are Union Made in the United States of America I.B.E.W.

ORDERING GUIDE

MODEL NO.	DIRECTION	SHIELDING	LAMPS	MOUNTING	LENGTH	FINISH	VOLTAGE	OPTIONS
STYA	I	1	228T5 254T5 HO	AC = Cable PD = Pendant	4 = 4 ft* 8 = 8 ft* *Nominal Length	W = White CC = Custom Color	120v 277v	See Options Below
STYA	I =Indirect	1 =Solid 14 = Slim Slots 16 = Parallelogram Slot 19 = Square Continuous	O =Other Specify	See Accessories	for other, please enter row length (eg. 48=48ft)			

Example: **STYA-I-1-254T5HO-AC-4-W-277V**

Stylelite shallow curved shape profile for two 54 watt T5 HO lamps with two 48 inch aircraft cables and power feed four foot fixture finished in baked white enamel with 277v electronic ballast less than 10% total harmonic distortion.

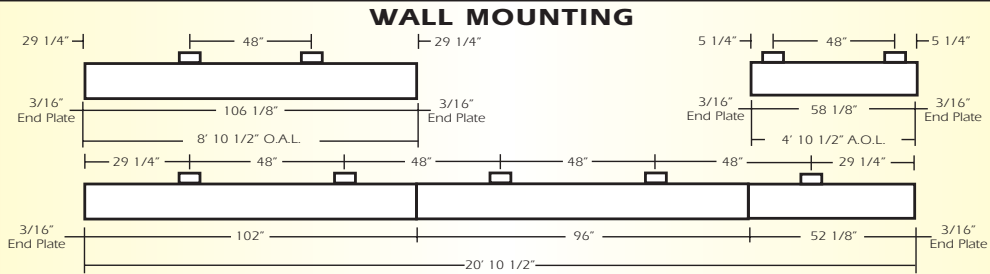
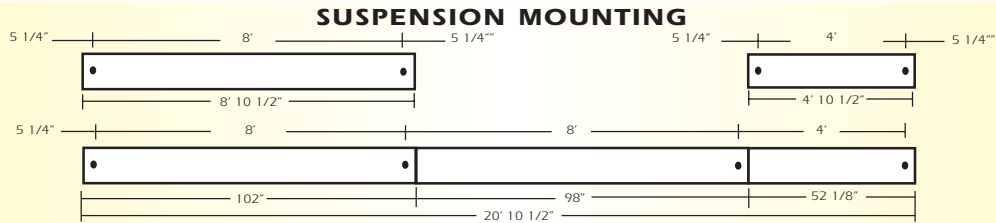
OPTIONS

- DIM=** Dimming Ballast
- EPC=** Emergency Battery Pack
- EMC=** Emergency Circuit
- TCW=** Two Circuit Wiring
- TDW=** Tandem Wiring
- OTH=** See Accessories for other options available

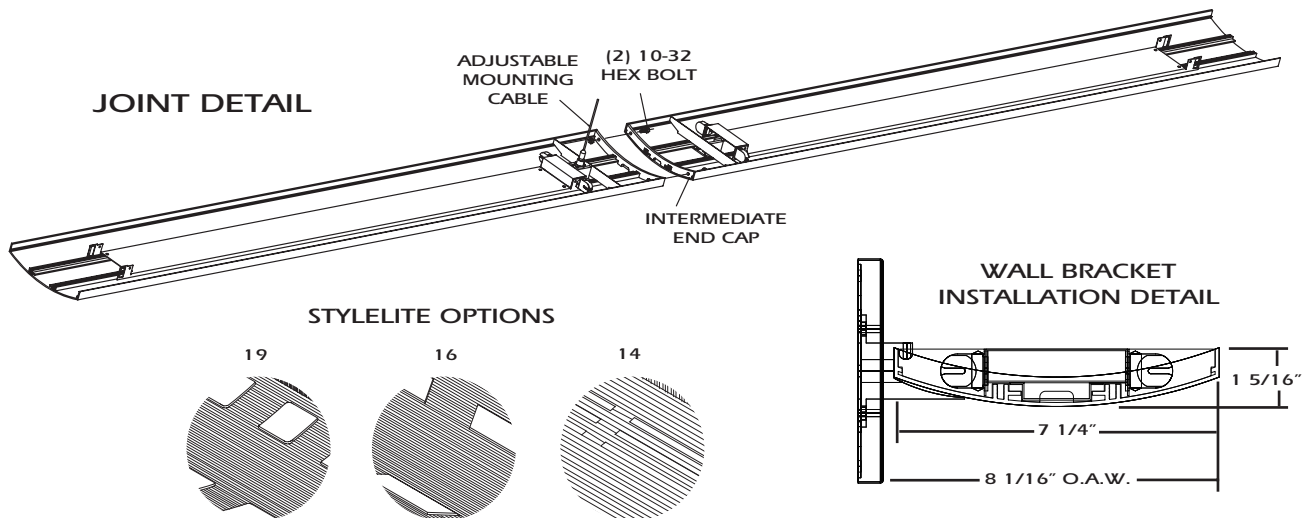
Special Profiles

STYA-I-1

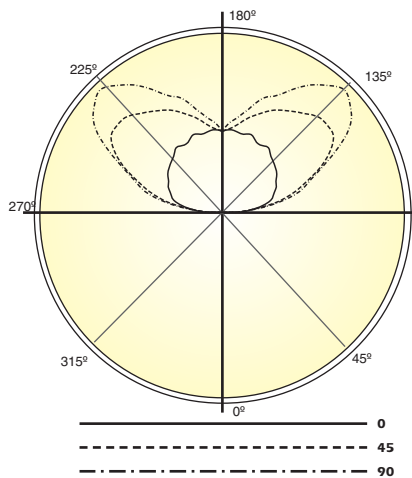
LINEAR SECTIONS AND SUSPENSION LOCATION



INSTALLATION PREPARATION



PHOTOMETRY



LAMP (2) 54W T5 HO
LUMENS: 5000 PER LAMP

Candela Distribution:

Vert. Angle	0	22.5	45	67.5	90
90	228	169	200	232	256
95	376	444	450	476	503
100	443	778	850	878	884
105	489	1052	1124	1244	1269
110	537	1230	1412	1460	1521
115	629	1356	1784	1781	1776
120	717	1403	2043	2153	2174
125	782	1457	2212	2441	2502
130	855	1459	2190	2588	2645
135	939	1456	2155	2619	2776
140	1023	1443	2040	2512	2629
145	1121	1480	1961	2309	2483
150	1102	1447	1870	2163	2244
155	1133	1435	1766	1966	2092
160	1250	1413	1662	1841	1911
165	1257	1323	1575	1677	1677
170	1204	1376	1380	1538	1461
175	1327	1307	1308	1404	1381
180	1277	1277	1277	1277	1277

Optical Distribution:
100% Indirect

Coefficients of Utilization - Zonal Cavity Method:

pfc = 0.20

	.8	.7	.5	.3	.1	0												
pcc	.7	.5	.3	.1	.7	.5	.3	.1	.5	.3	.1	.5	.3	.1	0			
pw	.7	.5	.3	.1	.7	.5	.3	.1	.5	.3	.1	.5	.3	.1	0			
RCR																		
0	85	85	85	85	73	73	73	73	49	49	49	28	28	28	9	9	9	0
1	77	74	70	68	66	63	60	58	43	41	40	24	24	23	8	7	7	0
2	70	64	59	55	60	55	51	47	37	35	33	21	20	19	7	6	6	0
3	64	56	50	45	54	48	43	39	33	30	27	19	17	16	6	5	5	0
4	58	49	43	38	49	42	37	33	29	26	23	17	15	13	5	4	4	0
5	53	44	37	32	45	37	32	28	26	22	20	15	13	11	4	4	3	0
6	49	39	32	27	41	33	28	24	23	19	17	13	11	10	4	3	3	0
7	45	35	28	24	38	30	24	21	20	17	14	12	10	8	3	3	2	0
8	41	31	25	20	35	27	21	18	18	15	12	10	9	7	3	2	2	0
9	38	28	22	18	32	24	19	16	17	13	11	9	8	6	3	2	2	0
10	35	26	20	16	30	22	17	14	15	12	9	9	7	5	2	2	1	0



Total Luminaire Optical Efficiency = 90.0%